



Product Change Notification

Current Date: 30-Apr-2026

TE Connectivity

Product Change Notification: PCN-26-277325

PCN Date: 28-APR-26

Customer: TTI Inc (168830)

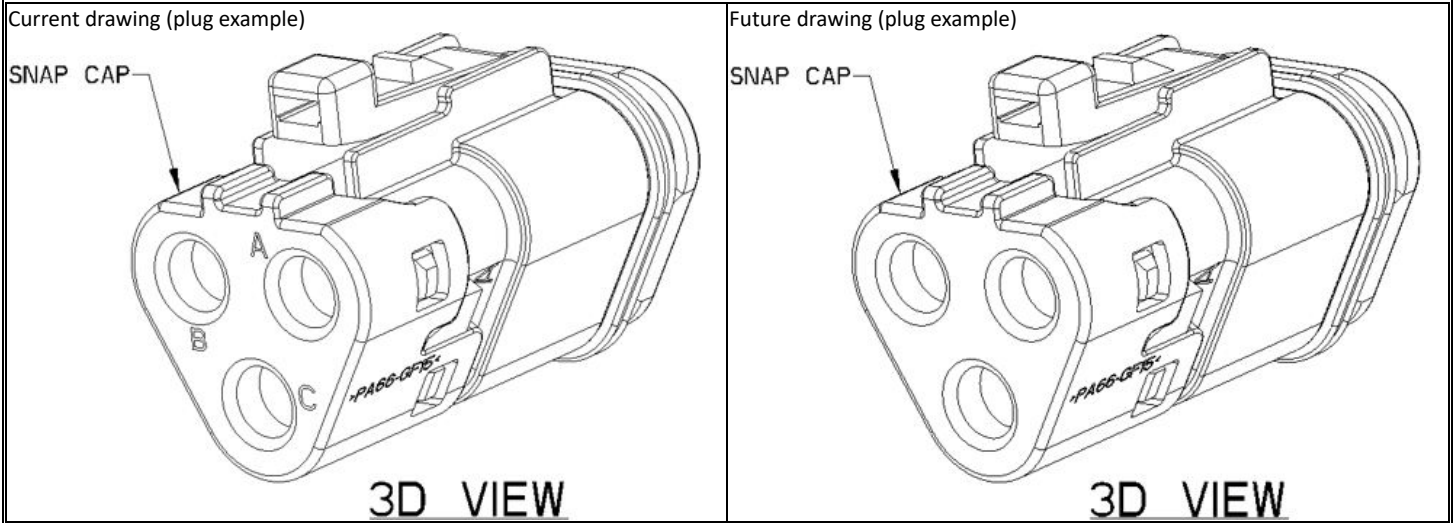
Location: Fort Worth

Agreement: Agreement Unknown

TE would like to inform you of the following change(s) to the listed TE Connectivity Product. In case of any further questions about this change(s), please contact your TE Connectivity Sales Engineer. Affected part, drawing and/or specification numbers are listed on the attached sheet(s).

Product Description: (Text limited to 120 characters)
 DEUTSCH DT3P Integrated resistor connectors Laser marking removal

General Description of Changes
 The Industrial and Commercial Transportation business unit of TE Connectivity is making a change to remove the laser marking from the cap of our integrated resistor connectors for the part numbers listed below. These PNs are TE proprietary designs, therefore considered catalog/general market product. PPAP and/or sample requests must be submitted within 14 days of PCN submission via ict-ppap-request@te.com or ePPAP system. Submission will not occur without request. If PPAP requested, disposition response is required within 14 days of submit date or it will be considered approved. Product drawings are affected.



Reason for Changes:
 Dear Customer, we are informing you of a standardization change to our DT integrated resistor product line. The laser marking on the connector cap will be removed. This is a cosmetic change only; the grommet design includes intentionally closed cavities. There is no impact to form, fit, function, or performance. Current and previous revisions are interchangeable. The change will be phased in, and mixed shipments may occur.

PCN Attributes:	
Product Category: Connectors	Kind of Change: Geometry
Change Feature: Label/Marking Change	Potential Customer Impact: No Customer Impact
Remarks: Laser marking removal on connector cap	

Estimated Dates:	
Last Order Date (Obsolete Parts Only):	First Ship Date of Changed Items (Changed Parts Only): 22-AUG-2026
Last Ship Date of Changed Items (Obsolete Parts Only):	Last Date for Mixed Shipments: (Changed Parts Only): 21-FEB-2028
Effectivity Date: 22-AUG-2026	Date of First Samples: 22-JUL-2026

Part Number(s) being Modified:

Part Number	Part Discontinued per PCN	Customer Drawing	Customer Part Number	Alias Part Number(s)	Substitute Part Number	Substitute Alias Part Number(s)	Description Of Difference
DT04-3P-EP10	NO						
DT06-3S-EP10	NO						
DT06-3S-P006	NO			"6-1899776-0"			
DT06-3S-PE01	NO						
DT06-3S-PP01	NO						



Product Change Notification

Current Date: 30-Apr-2026

TE Connectivity

Product Change Notification: PCN-26-277325

PCN Date: 28-APR-26

Customer: TTI Inc. (3164508)

Location: Fort Worth

Agreement: Agreement Unknown

TE would like to inform you of the following change(s) to the listed TE Connectivity Product. In case of any further questions about this change(s), please contact your TE Connectivity Sales Engineer. Affected part, drawing and/or specification numbers are listed on the attached sheet(s).

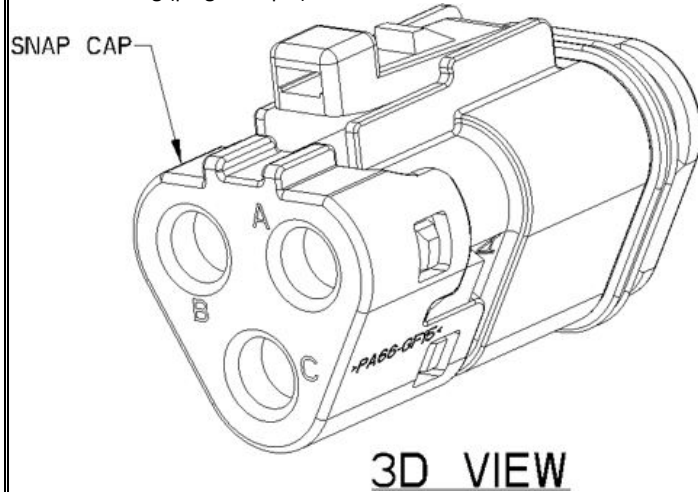
Product Description: (Text limited to 120 characters)

DEUTSCH DT3P Integrated resistor connectors Laser marking removal

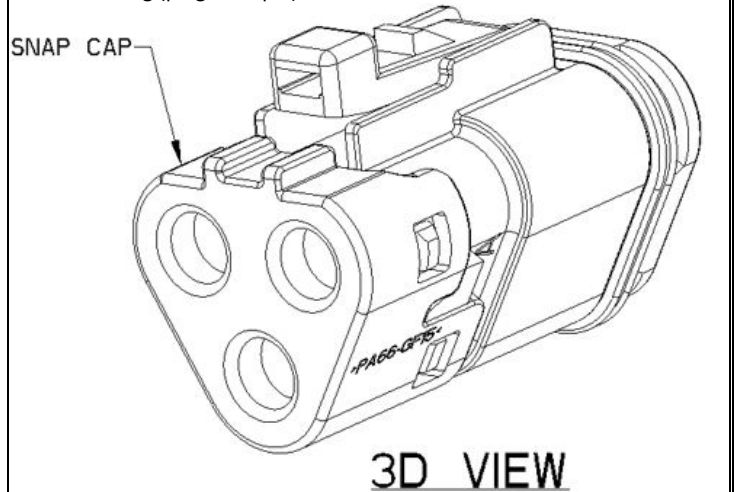
General Description of Changes

The Industrial and Commercial Transportation business unit of TE Connectivity is making a change to remove the laser marking from the cap of our integrated resistor connectors for the part numbers listed below. These PNs are TE proprietary designs, therefore considered catalog/general market product. PPAP and/or sample requests must be submitted within 14 days of PCN submission via ict-ppap-request@te.com or ePPAP system. Submission will not occur without request. If PPAP requested, disposition response is required within 14 days of submit date or it will be considered approved. Product drawings are affected.

Current drawing (plug example)



Future drawing (plug example)



Reason for Changes:

Dear Customer, we are informing you of a standardization change to our DT integrated resistor product line. The laser marking on the connector cap will be removed. This is a cosmetic change only; the grommet design includes intentionally closed cavities. There is no impact to form, fit, function, or performance. Current and previous revisions are interchangeable. The change will be phased in, and mixed shipments may occur.

PCN Attributes:

Product Category:	Kind of Change:
Connectors	Geometry
Change Feature:	Potential Customer Impact:
Label/Marking Change	No Customer Impact
Remarks:	
Laser marking removal on connector cap	

Estimated Dates:

Last Order Date (Obsolete Parts Only):	First Ship Date of Changed Items (Changed Parts Only):
	22-AUG-2026
Last Ship Date of Changed Items (Obsolete Parts Only):	Last Date for Mixed Shipments: (Changed Parts Only):
	21-FEB-2028
Effectivity Date:	Date of First Samples:
22-AUG-2026	22-JUL-2026

Part Number(s) being Modified:

Part Number	Part Discontinued per PCN	Customer Drawing	Customer Part Number	Alias Part Number(s)	Substitute Part Number	Substitute Alias Part Number(s)	Description Of Difference
DT04-3P-EP10	NO						
DT06-3S-EP10	NO						
DT06-3S-P006	NO			"6-1899776-0"			
DT06-3S-PE01	NO						
DT06-3S-PP01	NO						

The documents listed below are being modified. Related parts that are not explicitly listed on this PCN are not being modified or discontinued as per the PCN. The Last Order Date, Last Ship Date, First Date to Ship Changed Parts and last date for Mixed Shipments apply only to parts explicitly listed on this PCN.

Customer Drawing(s) Being Modified:

Drawing Number	Related Part Number	Customer Part Number	Affected Revision
DT04-3P-EP10	DT04-3P-EP10		G
DT06-3S-EP10	DT06-3S-EP10		D
DT06-3S-P006	DT06-3S-P006		H
DT06-3S-PE01	DT06-3S-PE01		G
DT06-3S-PP01	DT06-3S-PP01		E