



# Product Change Notification

Current Date: 21-May-2026

## TE Connectivity

**Product Change Notification:** P-26-030355

**PCN Date:** 21-MAY-26

**Customer:** TTI Inc ( 168830 )

**Location:** Fort Worth

**Agreement:** Agreement Unknown

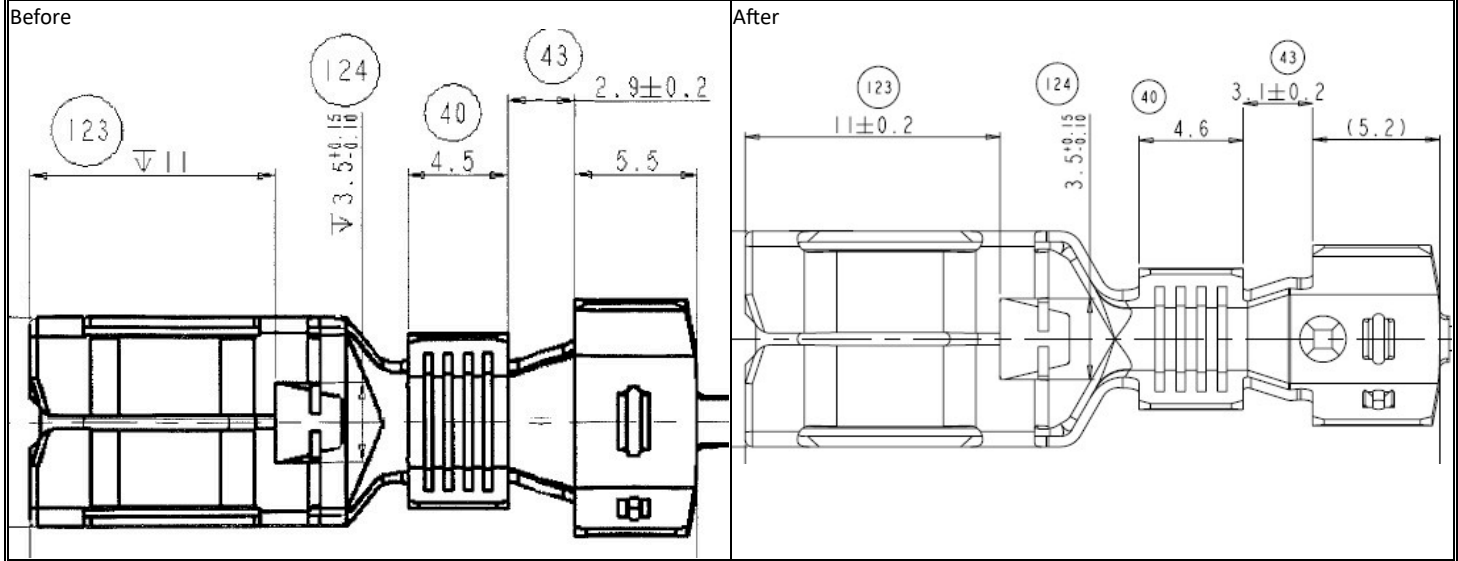
TE would like to inform you of the following change(s) to the listed TE Connectivity Product. In case of any further questions about this change(s), please contact your TE Connectivity Sales Engineer. Affected part, drawing and/or specification numbers are listed on the attached sheet(s).

**General Product Description:**

CLIP 8 mm NG1/MAXI fuse Capacit 3 6 mm & 7 10 mm

**Description of Changes**

Dear Customer, the following drawings have been updated to match the actual production part. The correction is shown in the image below



**Reason for Changes:**

Document clarification.

**Estimated Dates:**

<b>Last Order Date</b> (Obsolete Parts Only):	<b>First Date To Ship</b> (Changed Parts Only):
	25-MAY-2026
<b>Last Ship Date</b> (Obsolete Parts Only):	<b>Last Date for Mixed Shipments:</b> (Changed Parts Only):
	No Mixed Shipments

**Part Number(s) being Modified:**

Part Number	Part Discontinued per PCN	Customer Drawing	Customer Part Number	Alias Part Number(s)	Substitute Part Number	Substitute Alias Part Number(s)	Description Of Difference
<a href="#">1544227-1</a>	NO			"P79101792751"			
<a href="#">1544228-1</a>	NO			"P79101792761"			