



# Product Change Notification

Current Date: 09-Apr-2026

## TE Connectivity

**Product Change Notification:** PCN-26-275653

**PCN Date:** 07-APR-26

**Customer:** TTI Electronics Asia Pte Ltd. ( 2771300 )

**Location:** Singapore

**Agreement:** Agreement Unknown

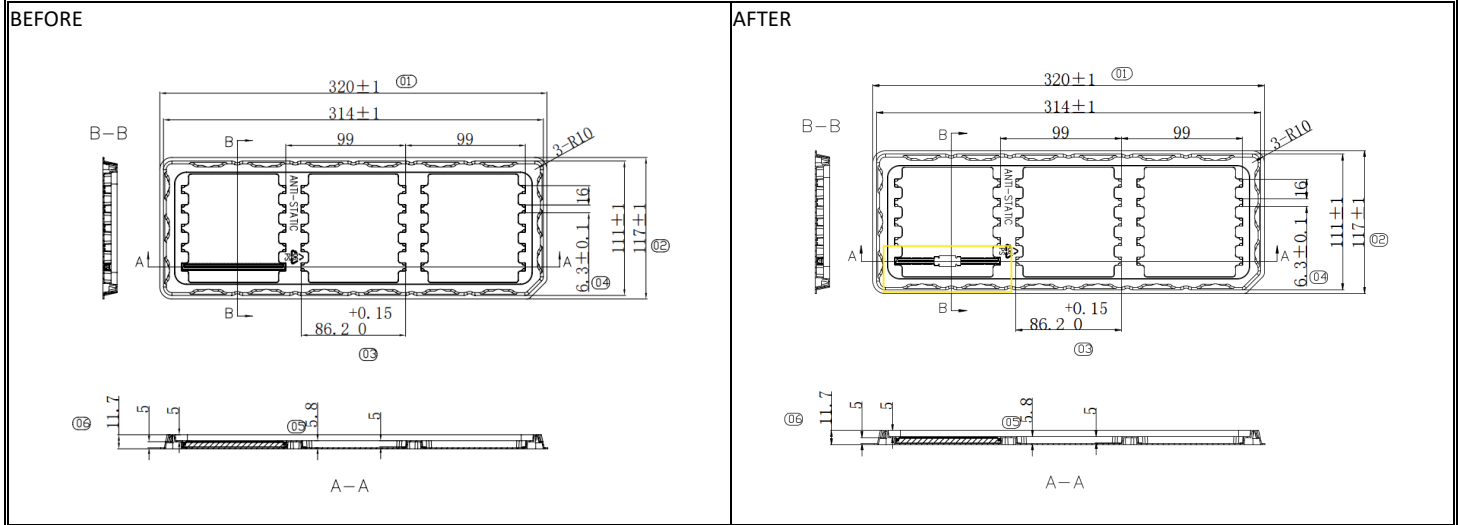
TE would like to inform you of the following change(s) to the listed TE Connectivity Product. In case of any further questions about this change(s), please contact your TE Connectivity Sales Engineer. Affected part, drawing and/or specification numbers are listed on the attached sheet(s).

**Product Description:** (Text limited to 120 characters)

PLUG ASSEMBLY, FH 0.8 ON TAPING (EMBOSS) 0.5 BOSS LENGTH

**General Description of Changes**

The drawing view has been updated to include the cap as specified in the BOM for PN 5-5177986-9.



**Reason for Changes:**

Drafting Error Correction.

**PCN Attributes:**

<b>Product Category:</b>	<b>Kind of Change:</b>
Connectors	Drawing
<b>Change Feature:</b>	<b>Potential Customer Impact:</b>
Drawing Change	No Customer Impact
<b>Remarks:</b>	

**Estimated Dates:**

<b>Last Order Date</b> (Obsolete Parts Only):	<b>First Ship Date of Changed Items</b> (Changed Parts Only):
<b>Last Ship Date of Changed Items</b> (Obsolete Parts Only):	<b>Last Date for Mixed Shipments:</b> (Changed Parts Only):
	No Mixed Shipments
<b>Effectivity Date:</b>	<b>Date of First Samples:</b>

The documents listed below are being modified. Related parts that are not explicitly listed on this PCN are not being modified or discontinued as per the PCN. The Last Order Date, Last Ship Date, First Date to Ship Changed Parts and last date for Mixed Shipments apply only to parts explicitly listed on this PCN.

**Note: This PCN contains only document changes, these changes do not affect the form, fit or function of the parts referenced.**

**Customer Drawing(s) Being Modified:**

Drawing Number	Related Part Number	Customer Part Number	Affected Revision
<a href="#">5177986</a>	5177986-1		F12