

Product Obsolescence: M0820, M1330 & M1331, Surface Mount Inductors

Description of Change: Delevan announces the end of life for the following product series M0820, M1330 and M1331, Surface Mount Inductors. These product series are DLA approved items to MIL-PRF-83446. Supply base closure and low market demand has resulted in the decision to remove this series from our product offering.

Summary:

Delevan Product Series: M0820, M1330 and M1331

Effectivity Date: 11/4/2024

Product Classification: Surface Mount, RF Inductor

Replacement Series: M0820 – None, M1330 – MIL1330, M1331 – MIL1331.

Expected Effect on Quality/Reliability/Performance: The MIL1330 and MIL1331 product are electrically equivalent. However, the mounting method may differ based on application. Data sheets are available for review.

Implementation Date: Immediately 11/4/2024. No last time buy available due to material availability.

Issued By: Delevan, Product Line Management

Contact Information:

Delevan

270 Quaker Road, East Aurora, NY 14052

Phone: 716.652.3600

Email: Sean.Anderson@regalrexnord.com

www.delevan.com

Update 1: M0820 (MIL-PRF-83446/20, /21, & /22) Obsolescence

DELEVAN SERIES	DELEVAN OBSOLETE PART NUMBER	DESCRIPTION	DLA ASSIGNED PART NUMBER	DELEVAN REPLACEMENT PART NUMBER
M0820	M0820-00K	Surface Mount, Inductor, .1 uH , +/- 10%	M83446/20-01F	No Replacement
M0820	M0820-02K	Surface Mount, Inductor, .12 uH , +/- 10%	M83446/20-02F	No Replacement
M0820	M0820-04K	Surface Mount, Inductor, .15 uH , +/- 10%	M83446/20-03F	No Replacement
M0820	M0820-06K	Surface Mount, Inductor, .18 uH , +/- 10%	M83446/20-04F	No Replacement
M0820	M0820-08K	Surface Mount, Inductor, .22 uH , +/- 10%	M83446/20-05F	No Replacement
M0820	M0820-10K	Surface Mount, Inductor, .27 uH , +/- 10%	M83446/20-06F	No Replacement
M0820	M0820-12K	Surface Mount, Inductor, .33 uH , +/- 10%	M83446/20-07F	No Replacement
M0820	M0820-14K	Surface Mount, Inductor, .39 uH , +/- 10%	M83446/20-08F	No Replacement
M0820	M0820-16K	Surface Mount, Inductor, .47 uH , +/- 10%	M83446/20-09F	No Replacement
M0820	M0820-18K	Surface Mount, Inductor, .56 uH , +/- 10%	M83446/21-01F	No Replacement
M0820	M0820-20K	Surface Mount, Inductor, .68 uH , +/- 10%	M83446/21-02F	No Replacement
M0820	M0820-22K	Surface Mount, Inductor, .82 uH , +/- 10%	M83446/21-03F	No Replacement
M0820	M0820-24K	Surface Mount, Inductor, 1 uH , +/- 10%	M83446/21-04F	No Replacement
M0820	M0820-26K	Surface Mount, Inductor, 1.2 uH , +/- 10%	M83446/21-05F	No Replacement
M0820	M0820-28K	Surface Mount, Inductor, 1.5 uH , +/- 10%	M83446/21-06F	No Replacement
M0820	M0820-30K	Surface Mount, Inductor, 1.8 uH , +/- 10%	M83446/21-07F	No Replacement
M0820	M0820-32K	Surface Mount, Inductor, 2.2 uH , +/- 10%	M83446/21-08F	No Replacement
M0820	M0820-34K	Surface Mount, Inductor, 2.7 uH , +/- 10%	M83446/21-09F	No Replacement

DELEVAN SERIES	DELEVAN OBSOLETE PART NUMBER	DESCRIPTION	DLA ASSIGNED PART NUMBER	DELEVAN REPLACEMENT PART NUMBER
M0820	M0820-36K	Surface Mount, Inductor, 3.3 uH , +/- 10%	M83446/21-10F	No Replacement
M0820	M0820-38K	Surface Mount, Inductor, 3.9 uH , +/- 10%	M83446/21-11F	No Replacement
M0820	M0820-40K	Surface Mount, Inductor, 4.7 uH , +/- 10%	M83446/21-12F	No Replacement
M0820	M0820-42K	Surface Mount, Inductor, 5.6 uH , +/- 10%	M83446/21-13F	No Replacement
M0820	M0820-44K	Surface Mount, Inductor, 6.8 uH , +/- 10%	M83446/21-14F	No Replacement
M0820	M0820-46K	Surface Mount, Inductor, 8.2 uH , +/- 10%	M83446/21-15F	No Replacement
M0820	M0820-48K	Surface Mount, Inductor, 10 uH , +/- 10%	M83446/21-16F	No Replacement
M0820	M0820-50K	Surface Mount, Inductor, 12 uH , +/- 10%	M83446/21-17F	No Replacement
M0820	M0820-52K	Surface Mount, Inductor, 15 uH , +/- 10%	M83446/21-18F	No Replacement
M0820	M0820-54K	Surface Mount, Inductor, 18 uH , +/- 10%	M83446/21-19F	No Replacement
M0820	M0820-56K	Surface Mount, Inductor, 22 uH , +/- 10%	M83446/21-20F	No Replacement
M0820	M0820-58K	Surface Mount, Inductor, 27 uH , +/- 10%	M83446/21-21F	No Replacement
M0820	M0820-60K	Surface Mount, Inductor, 33 uH , +/- 10%	M83446/21-22F	No Replacement
M0820	M0820-62K	Surface Mount, Inductor, 39 uH , +/- 10%	M83446/21-23F	No Replacement
M0820	M0820-64K	Surface Mount, Inductor, 47 uH , +/- 10%	M83446/21-24F	No Replacement
M0820	M0820-66K	Surface Mount, Inductor, 56 uH , +/- 10%	M83446/21-25F	No Replacement
M0820	M0820-68K	Surface Mount, Inductor, 68 uH , +/- 10%	M83446/21-26F	No Replacement
M0820	M0820-70K	Surface Mount, Inductor, 82 uH , +/- 10%	M83446/21-27F	No Replacement
M0820	M0820-72K	Surface Mount, Inductor, 100 uH , +/- 10%	M83446/21-28F	No Replacement
M0820	M0820-74K	Surface Mount, Inductor, 120 uH , +/- 10%	M83446/22-01F	No Replacement
M0820	M0820-76K	Surface Mount, Inductor, 150 uH , +/- 10%	M83446/22-02F	No Replacement

DELEVAN SERIES	DELEVAN OBSOLETE PART NUMBER	DESCRIPTION	DLA ASSIGNED PART NUMBER	DELEVAN REPLACEMENT PART NUMBER
M0820	M0820-78K	Surface Mount, Inductor, 180 uH , +/- 10%	M83446/22-03F	No Replacement
M0820	M0820-80K	Surface Mount, Inductor, 220 uH , +/- 10%	M83446/22-04F	No Replacement
M0820	M0820-82K	Surface Mount, Inductor, 270 uH , +/- 10%	M83446/22-05F	No Replacement
M0820	M0820-84K	Surface Mount, Inductor, 330 uH , +/- 10%	M83446/22-06F	No Replacement
M0820	M0820-86K	Surface Mount, Inductor, 390 uH , +/- 10%	M83446/22-07F	No Replacement
M0820	M0820-88K	Surface Mount, Inductor, 470 uH , +/- 10%	M83446/22-08F	No Replacement
M0820	M0820-90K	Surface Mount, Inductor, 560 uH , +/- 10%	M83446/22-09F	No Replacement
M0820	M0820-92K	Surface Mount, Inductor, 680 uH , +/- 10%	M83446/22-10F	No Replacement
M0820	M0820-94K	Surface Mount, Inductor, 820 uH , +/- 10%	M83446/22-11F	No Replacement
M0820	M0820-96K	Surface Mount, Inductor, 1000 uH , +/- 10%	M83446/22-12F	No Replacement

Update 2: M1330 (MIL-PRF-83446/23, /24 & /25) Obsolescence

DELEVAN SERIES	DELEVAN OBSOLETE PART NUMBER	DESCRIPTION	DLA ASSIGNED PART NUMBER	DELEVAN SERIES	DELEVAN REPLACEMENT PART NUMBER	DESCRIPTION	DLA ASSIGNED PART NUMBER
M1330	M1330-00K	Surface Mount, Inductor, .15 uH , +/- 10%	M83446/23-03F	MIL1330	MIL1330-00K	Surface Mount, Unshielded Inductor, .15 uH , +/- 10%	M83446/31-03F
M1330	M1330-02K	Surface Mount, Inductor, .18 uH , +/- 10%	M83446/23-04F	MIL1330	MIL1330-02K	Surface Mount, Unshielded Inductor, .18 uH , +/- 10%	M83446/31-04F
M1330	M1330-04K	Surface Mount, Inductor, .22 uH , +/- 10%	M83446/23-05F	MIL1330	MIL1330-04K	Surface Mount, Unshielded Inductor, .22 uH , +/- 10%	M83446/31-05F
M1330	M1330-06K	Surface Mount, Inductor, .27 uH , +/- 10%	M83446/23-06F	MIL1330	MIL1330-06K	Surface Mount, Unshielded Inductor, .27 uH , +/- 10%	M83446/31-06F
M1330	M1330-08K	Surface Mount, Inductor, .33 uH , +/- 10%	M83446/23-07F	MIL1330	MIL1330-08K	Surface Mount, Unshielded Inductor, .33 uH , +/- 10%	M83446/31-07F
M1330	M1330-10K	Surface Mount, Inductor, .39 uH , +/- 10%	M83446/23-08F	MIL1330	MIL1330-10K	Surface Mount, Unshielded Inductor, .39 uH , +/- 10%	M83446/31-08F
M1330	M1330-12K	Surface Mount, Inductor, .47 uH , +/- 10%	M83446/23-09F	MIL1330	MIL1330-12K	Surface Mount, Unshielded Inductor, .47 uH , +/- 10%	M83446/31-09F
M1330	M1330-14K	Surface Mount, Inductor, .56 uH , +/- 10%	M83446/23-10F	MIL1330	MIL1330-14K	Surface Mount, Unshielded Inductor, .56 uH , +/- 10%	M83446/31-10F

DELEVAN SERIES	DELEVAN OBSOLETE PART NUMBER	DESCRIPTION	DLA ASSIGNED PART NUMBER	DELEVAN SERIES	DELEVAN REPLACEMENT PART NUMBER	DESCRIPTION	DLA ASSIGNED PART NUMBER
M1330	M1330-16K	Surface Mount, Inductor, .68 uH , +/- 10%	M83446/23-11F	MIL1330	MIL1330-16K	Surface Mount, Unshielded Inductor, .68 uH , +/- 10%	M83446/31-11F
M1330	M1330-18K	Surface Mount, Inductor, .82 uH , +/- 10%	M83446/23-12F	MIL1330	MIL1330-18K	Surface Mount, Unshielded Inductor, .82 uH , +/- 10%	M83446/31-12F
M1330	M1330-20K	Surface Mount, Inductor, 1 uH , +/- 10%	M83446/23-13F	MIL1330	MIL1330-20K	Surface Mount, Unshielded Inductor, 1 uH , +/- 10%	M83446/31-13F
M1330	M1330-22K	Surface Mount, Inductor, 1.2 uH , +/- 10%	M83446/24-01F	MIL1330	MIL1330-22K	Surface Mount, Unshielded Inductor, 1.2 uH , +/- 10%	M83446/32-01F
M1330	M1330-24K	Surface Mount, Inductor, 1.5 uH , +/- 10%	M83446/24-02F	MIL1330	MIL1330-24K	Surface Mount, Unshielded Inductor, 1.5 uH , +/- 10%	M83446/32-02F
M1330	M1330-26K	Surface Mount, Inductor, 1.8 uH , +/- 10%	M83446/24-03F	MIL1330	MIL1330-26K	Surface Mount, Unshielded Inductor, 1.8 uH , +/- 10%	M83446/32-03F
M1330	M1330-28K	Surface Mount, Inductor, 2.2 uH , +/- 10%	M83446/24-04F	MIL1330	MIL1330-28K	Surface Mount, Unshielded Inductor, 2.2 uH , +/- 10%	M83446/32-04F
M1330	M1330-30K	Surface Mount, Inductor, 2.7 uH , +/- 10%	M83446/24-05F	MIL1330	MIL1330-30K	Surface Mount, Unshielded Inductor, 2.7 uH , +/- 10%	M83446/32-05F
M1330	M1330-32K	Surface Mount, Inductor, 3.3 uH , +/- 10%	M83446/24-06F	MIL1330	MIL1330-32K	Surface Mount, Unshielded Inductor, 3.3 uH , +/- 10%	M83446/32-06F

DELEVAN SERIES	DELEVAN OBSOLETE PART NUMBER	DESCRIPTION	DLA ASSIGNED PART NUMBER	DELEVAN SERIES	DELEVAN REPLACEMENT PART NUMBER	DESCRIPTION	DLA ASSIGNED PART NUMBER
M1330	M1330-34K	Surface Mount, Inductor, 3.9 uH , +/- 10%	M83446/24-07F	MIL1330	MIL1330-34K	Surface Mount, Unshielded Inductor, 3.9 uH , +/- 10%	M83446/32-07F
M1330	M1330-36K	Surface Mount, Inductor, 4.7 uH , +/- 10%	M83446/24-08F	MIL1330	MIL1330-36K	Surface Mount, Unshielded Inductor, 4.7 uH , +/- 10%	M83446/32-08F
M1330	M1330-38K	Surface Mount, Inductor, 5.6 uH , +/- 10%	M83446/24-09F	MIL1330	MIL1330-38K	Surface Mount, Unshielded Inductor, 5.6 uH , +/- 10%	M83446/32-09F
M1330	M1330-40K	Surface Mount, Inductor, 6.8 uH , +/- 10%	M83446/24-10F	MIL1330	MIL1330-40K	Surface Mount, Unshielded Inductor, 6.8 uH , +/- 10%	M83446/32-10F
M1330	M1330-42K	Surface Mount, Inductor, 8.2 uH , +/- 10%	M83446/24-11F	MIL1330	MIL1330-42K	Surface Mount, Unshielded Inductor, 8.2 uH , +/- 10%	M83446/32-11F
M1330	M1330-44K	Surface Mount, Inductor, 10 uH , +/- 10%	M83446/24-12F	MIL1330	MIL1330-44K	Surface Mount, Unshielded Inductor, 10 uH , +/- 10%	M83446/32-12F
M1330	M1330-46K	Surface Mount, Inductor, 12 uH , +/- 10%	M83446/24-13F	MIL1330	MIL1330-46K	Surface Mount, Unshielded Inductor, 12 uH , +/- 10%	M83446/32-13F
M1330	M1330-48K	Surface Mount, Inductor, 15 uH , +/- 10%	M83446/24-14F	MIL1330	MIL1330-48K	Surface Mount, Unshielded Inductor, 15 uH , +/- 10%	M83446/32-14F
M1330	M1330-50K	Surface Mount, Inductor, 18 uH , +/- 10%	M83446/24-15F	MIL1330	MIL1330-50K	Surface Mount, Unshielded Inductor, 18 uH , +/- 10%	M83446/32-15F

DELEVAN SERIES	DELEVAN OBSOLETE PART NUMBER	DESCRIPTION	DLA ASSIGNED PART NUMBER	DELEVAN SERIES	DELEVAN REPLACEMENT PART NUMBER	DESCRIPTION	DLA ASSIGNED PART NUMBER
M1330	M1330-52K	Surface Mount, Inductor, 22 uH , +/- 10%	M83446/24-16F	MIL1330	MIL1330-52K	Surface Mount, Unshielded Inductor, 22 uH , +/- 10%	M83446/32-16F
M1330	M1330-54K	Surface Mount, Inductor, 27 uH , +/- 10%	M83446/24-17F	MIL1330	MIL1330-54K	Surface Mount, Unshielded Inductor, 27 uH , +/- 10%	M83446/32-17F
M1330	M1330-56K	Surface Mount, Inductor, 33 uH , +/- 10%	M83446/25-01F	MIL1330	MIL1330-56K	Surface Mount, Unshielded Inductor, 33 uH , +/- 10%	M83446/33-01F
M1330	M1330-58K	Surface Mount, Inductor, 39 uH , +/- 10%	M83446/25-02F	MIL1330	MIL1330-58K	Surface Mount, Unshielded Inductor, 39 uH , +/- 10%	M83446/33-02F
M1330	M1330-60K	Surface Mount, Inductor, 47 uH , +/- 10%	M83446/25-03F	MIL1330	MIL1330-60K	Surface Mount, Unshielded Inductor, 47 uH , +/- 10%	M83446/33-03F
M1330	M1330-62K	Surface Mount, Inductor, 56 uH , +/- 10%	M83446/25-04F	MIL1330	MIL1330-62K	Surface Mount, Unshielded Inductor, 56 uH , +/- 10%	M83446/33-04F
M1330	M1330-64K	Surface Mount, Inductor, 68 uH , +/- 10%	M83446/25-05F	MIL1330	MIL1330-64K	Surface Mount, Unshielded Inductor, 68 uH , +/- 10%	M83446/33-05F
M1330	M1330-66K	Surface Mount, Inductor, 82 uH , +/- 10%	M83446/25-06F	MIL1330	MIL1330-66K	Surface Mount, Unshielded Inductor, 82 uH , +/- 10%	M83446/33-06F
M1330	M1330-68K	Surface Mount, Inductor, 100 uH , +/- 10%	M83446/25-07F	MIL1330	MIL1330-68K	Surface Mount, Unshielded Inductor, 100 uH , +/- 10%	M83446/33-07F

DELEVAN SERIES	DELEVAN OBSOLETE PART NUMBER	DESCRIPTION	DLA ASSIGNED PART NUMBER	DELEVAN SERIES	DELEVAN REPLACEMENT PART NUMBER	DESCRIPTION	DLA ASSIGNED PART NUMBER
M1330	M1330-70K	Surface Mount, Inductor, 120 uH , +/- 10%	M83446/25-08F	MIL1330	MIL1330-70K	Surface Mount, Unshielded Inductor, 120 uH , +/- 10%	M83446/33-08F
M1330	M1330-72K	Surface Mount, Inductor, 150 uH , +/- 10%	M83446/25-09F	MIL1330	MIL1330-72K	Surface Mount, Unshielded Inductor, 150 uH , +/- 10%	M83446/33-09F
M1330	M1330-74K	Surface Mount, Inductor, 180 uH , +/- 10%	M83446/25-10F	MIL1330	MIL1330-74K	Surface Mount, Unshielded Inductor, 180 uH , +/- 10%	M83446/33-10F
M1330	M1330-76K	Surface Mount, Inductor, 220 uH , +/- 10%	M83446/25-11F	MIL1330	MIL1330-76K	Surface Mount, Unshielded Inductor, 220 uH , +/- 10%	M83446/33-11F
M1330	M1330-78K	Surface Mount, Inductor, 270 uH , +/- 10%	M83446/25-12F	MIL1330	MIL1330-78K	Surface Mount, Unshielded Inductor, 270 uH , +/- 10%	M83446/33-12F
M1330	M1330-80K	Surface Mount, Inductor, 330 uH , +/- 10%	M83446/25-13F	MIL1330	MIL1330-80K	Surface Mount, Unshielded Inductor, 330 uH , +/- 10%	M83446/33-13F
M1330	M1330-82K	Surface Mount, Inductor, 390 uH , +/- 10%	M83446/25-14F	MIL1330	MIL1330-82K	Surface Mount, Unshielded Inductor, 390 uH , +/- 10%	M83446/33-14F
M1330	M1330-84K	Surface Mount, Inductor, 470 uH , +/- 10%	M83446/25-15F	MIL1330	MIL1330-84K	Surface Mount, Unshielded Inductor, 470 uH , +/- 10%	M83446/33-15F
M1330	M1330-86K	Surface Mount, Inductor, 560 uH , +/- 10%	M83446/25-16F	MIL1330	MIL1330-86K	Surface Mount, Unshielded Inductor, 560 uH , +/- 10%	M83446/33-16F

DELEVAN SERIES	DELEVAN OBSOLETE PART NUMBER	DESCRIPTION	DLA ASSIGNED PART NUMBER	DELEVAN SERIES	DELEVAN REPLACEMENT PART NUMBER	DESCRIPTION	DLA ASSIGNED PART NUMBER
M1330	M1330-88K	Surface Mount, Inductor, 680 uH , +/- 10%	M83446/25-17F	MIL1330	MIL1330-88K	Surface Mount, Unshielded Inductor, 680 uH , +/- 10%	M83446/33-17F
M1330	M1330-90K	Surface Mount, Inductor, 820 uH , +/- 10%	M83446/25-18F	MIL1330	MIL1330-90K	Surface Mount, Unshielded Inductor, 820 uH , +/- 10%	M83446/33-18F
M1330	M1330-92K	Surface Mount, Inductor, 1000 uH , +/- 10%	M83446/25-19F	MIL1330	MIL1330-92K	Surface Mount, Unshielded Inductor, 1000 uH , +/- 10%	M83446/33-19F
M1330	M1330-94K	Surface Mount, Inductor, .1 uH , +/- 10%	M83446/23-01F	MIL1330	MIL1330-94K	Surface Mount, Unshielded Inductor, .1 uH , +/- 10%	M83446/31-01F
M1330	M1330-96K	Surface Mount, Inductor, .12 uH , +/- 10%	M83446/23-02F	MIL1330	MIL1330-96K	Surface Mount, Unshielded Inductor, .12 uH , +/- 10%	M83446/31-02F

Update 3: M1331 (MIL-PRF-83446/26 & 27) Obsolescence

DELEVAN SERIES	DELEVAN OBSOLETE PART NUMBER	DESCRIPTION	DLA ASSIGNED PART NUMBER	DELEVAN SERIES	DELEVAN REPLACEMENT PART NUMBER	DESCRIPTION	DLA ASSIGNED PART NUMBER
M1331	M1331-101K	Surface Mount, Shielded Inductor, .1 uH, +/- 10%	M83446/26-01F	MIL1331	MIL1331-101K	Surface Mount, Shielded Inductor, .1 uH, +/- 10%	M83446/34-01F
M1331	M1331-102K	Surface Mount, Shielded Inductor, 1 uH, +/- 10%	M83446/26-13F	MIL1331	MIL1331-102K	Surface Mount, Shielded Inductor, 1 uH, +/- 10%	M83446/34-13F
M1331	M1331-103K	Surface Mount, Shielded Inductor, 10 uH, +/- 10%	M83446/26-25F	MIL1331	MIL1331-103K	Surface Mount, Shielded Inductor, 10 uH, +/- 10%	M83446/34-25F
M1331	M1331-104K	Surface Mount, Shielded Inductor, 100 uH, +/- 10%	M83446/26-37F	MIL1331	MIL1331-104K	Surface Mount, Shielded Inductor, 100 uH, +/- 10%	M83446/34-37F
M1331	M1331-121K	Surface Mount, Shielded Inductor, .12 uH, +/- 10%	M83446/26-02F	MIL1331	MIL1331-121K	Surface Mount, Shielded Inductor, .12 uH, +/- 10%	M83446/34-02F
M1331	M1331-122K	Surface Mount, Shielded Inductor, 1.2 uH, +/- 10%	M83446/26-14F	MIL1331	MIL1331-122K	Surface Mount, Shielded Inductor, 1.2 uH, +/- 10%	M83446/34-14F
M1331	M1331-123K	Surface Mount, Shielded Inductor, 12 uH, +/- 10%	M83446/26-26F	MIL1331	MIL1331-123K	Surface Mount, Shielded Inductor, 12 uH, +/- 10%	M83446/34-26F
M1331	M1331-124K	Surface Mount, Shielded Inductor, 120 uH, +/- 10%	M83446/27-01F	MIL1331	MIL1331-124K	Surface Mount, Shielded Inductor, 120 uH, +/- 10%	M83446/35-01F

DELEVAN SERIES	DELEVAN OBSOLETE PART NUMBER	DESCRIPTION	DLA ASSIGNED PART NUMBER	DELEVAN SERIES	DELEVAN REPLACEMENT PART NUMBER	DESCRIPTION	DLA ASSIGNED PART NUMBER
M1331	M1331-151K	Surface Mount, Shielded Inductor, .15 uH, +/- 10%	M83446/26-03F	MIL1331	MIL1331-151K	Surface Mount, Shielded Inductor, .15 uH, +/- 10%	M83446/34-03F
M1331	M1331-152K	Surface Mount, Shielded Inductor, 1.5 uH, +/- 10%	M83446/26-15F	MIL1331	MIL1331-152K	Surface Mount, Shielded Inductor, 1.5 uH, +/- 10%	M83446/34-15F
M1331	M1331-153K	Surface Mount, Shielded Inductor, 15 uH, +/- 10%	M83446/26-27F	MIL1331	MIL1331-153K	Surface Mount, Shielded Inductor, 15 uH, +/- 10%	M83446/34-27F
M1331	M1331-154K	Surface Mount, Shielded Inductor, 150 uH, +/- 10%	M83446/27-02F	MIL1331	MIL1331-154K	Surface Mount, Shielded Inductor, 150 uH, +/- 10%	M83446/35-02F
M1331	M1331-181K	Surface Mount, Shielded Inductor, .18 uH, +/- 10%	M83446/26-04F	MIL1331	MIL1331-181K	Surface Mount, Shielded Inductor, .18 uH, +/- 10%	M83446/34-04F
M1331	M1331-182K	Surface Mount, Shielded Inductor, 1.8 uH, +/- 10%	M83446/26-16F	MIL1331	MIL1331-182K	Surface Mount, Shielded Inductor, 1.8 uH, +/- 10%	M83446/34-16F
M1331	M1331-183K	Surface Mount, Shielded Inductor, 18 uH, +/- 10%	M83446/26-28F	MIL1331	MIL1331-183K	Surface Mount, Shielded Inductor, 18 uH, +/- 10%	M83446/34-28F
M1331	M1331-184K	Surface Mount, Shielded Inductor, 180 uH, +/- 10%	M83446/27-03F	MIL1331	MIL1331-184K	Surface Mount, Shielded Inductor, 180 uH, +/- 10%	M83446/35-03F
M1331	M1331-221K	Surface Mount, Shielded Inductor, .22 uH, +/- 10%	M83446/26-05F	MIL1331	MIL1331-221K	Surface Mount, Shielded Inductor, .22 uH, +/- 10%	M83446/34-05F

DELEVAN SERIES	DELEVAN OBSOLETE PART NUMBER	DESCRIPTION	DLA ASSIGNED PART NUMBER	DELEVAN SERIES	DELEVAN REPLACEMENT PART NUMBER	DESCRIPTION	DLA ASSIGNED PART NUMBER
M1331	M1331-222K	Surface Mount, Shielded Inductor, 2.2 uH, +/- 10%	M83446/26-17F	MIL1331	MIL1331-222K	Surface Mount, Shielded Inductor, 2.2 uH, +/- 10%	M83446/34-17F
M1331	M1331-223K	Surface Mount, Shielded Inductor, 22 uH, +/- 10%	M83446/26-29F	MIL1331	MIL1331-223K	Surface Mount, Shielded Inductor, 22 uH, +/- 10%	M83446/34-29F
M1331	M1331-224K	Surface Mount, Shielded Inductor, 220 uH, +/- 10%	M83446/27-04F	MIL1331	MIL1331-224K	Surface Mount, Shielded Inductor, 220 uH, +/- 10%	M83446/35-04F
M1331	M1331-271K	Surface Mount, Shielded Inductor, .27 uH, +/- 10%	M83446/26-06F	MIL1331	MIL1331-271K	Surface Mount, Shielded Inductor, .27 uH, +/- 10%	M83446/34-06F
M1331	M1331-272K	Surface Mount, Shielded Inductor, 2.7 uH, +/- 10%	M83446/26-18F	MIL1331	MIL1331-272K	Surface Mount, Shielded Inductor, 2.7 uH, +/- 10%	M83446/34-18F
M1331	M1331-273K	Surface Mount, Shielded Inductor, 27 uH, +/- 10%	M83446/26-30F	MIL1331	MIL1331-273K	Surface Mount, Shielded Inductor, 27 uH, +/- 10%	M83446/34-30F
M1331	M1331-274K	Surface Mount, Shielded Inductor, 270 uH, +/- 10%	M83446/27-05F	MIL1331	MIL1331-274K	Surface Mount, Shielded Inductor, 270 uH, +/- 10%	M83446/35-05F
M1331	M1331-331K	Surface Mount, Shielded Inductor, .33 uH, +/- 10%	M83446/26-07F	MIL1331	MIL1331-331K	Surface Mount, Shielded Inductor, .33 uH, +/- 10%	M83446/34-07F
M1331	M1331-332K	Surface Mount, Shielded Inductor, 3.3 uH, +/- 10%	M83446/26-19F	MIL1331	MIL1331-332K	Surface Mount, Shielded Inductor, 3.3 uH, +/- 10%	M83446/34-19F

DELEVAN SERIES	DELEVAN OBSOLETE PART NUMBER	DESCRIPTION	DLA ASSIGNED PART NUMBER	DELEVAN SERIES	DELEVAN REPLACEMENT PART NUMBER	DESCRIPTION	DLA ASSIGNED PART NUMBER
M1331	M1331-333K	Surface Mount, Shielded Inductor, 33 uH, +/- 10%	M83446/26-31F	MIL1331	MIL1331-333K	Surface Mount, Shielded Inductor, 33 uH, +/- 10%	M83446/34-31F
M1331	M1331-334K	Surface Mount, Shielded Inductor, 330 uH, +/- 10%	M83446/27-06F	MIL1331	MIL1331-334K	Surface Mount, Shielded Inductor, 330 uH, +/- 10%	M83446/35-06F
M1331	M1331-391K	Surface Mount, Shielded Inductor, .39 uH, +/- 10%	M83446/26-08F	MIL1331	MIL1331-391K	Surface Mount, Shielded Inductor, .39 uH, +/- 10%	M83446/34-08F
M1331	M1331-392K	Surface Mount, Shielded Inductor, 3.9 uH, +/- 10%	M83446/26-20F	MIL1331	MIL1331-392K	Surface Mount, Shielded Inductor, 3.9 uH, +/- 10%	M83446/34-20F
M1331	M1331-393K	Surface Mount, Shielded Inductor, 39 uH, +/- 10%	M83446/26-32F	MIL1331	MIL1331-393K	Surface Mount, Shielded Inductor, 39 uH, +/- 10%	M83446/34-32F
M1331	M1331-394K	Surface Mount, Shielded Inductor, 390 uH, +/- 10%	M83446/27-07F	MIL1331	MIL1331-394K	Surface Mount, Shielded Inductor, 390 uH, +/- 10%	M83446/35-07F
M1331	M1331-471K	Surface Mount, Shielded Inductor, .47 uH, +/- 10%	M83446/26-09F	MIL1331	MIL1331-471K	Surface Mount, Shielded Inductor, .47 uH, +/- 10%	M83446/34-09F
M1331	M1331-472K	Surface Mount, Shielded Inductor, 4.7 uH, +/- 10%	M83446/26-21F	MIL1331	MIL1331-472K	Surface Mount, Shielded Inductor, 4.7 uH, +/- 10%	M83446/34-21F
M1331	M1331-473K	Surface Mount, Shielded Inductor, 47 uH, +/- 10%	M83446/26-33F	MIL1331	MIL1331-473K	Surface Mount, Shielded Inductor, 47 uH, +/- 10%	M83446/34-33F

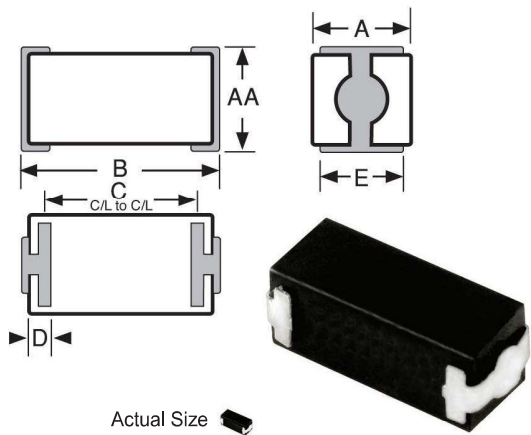
DELEVAN SERIES	DELEVAN OBSOLETE PART NUMBER	DESCRIPTION	DLA ASSIGNED PART NUMBER	DELEVAN SERIES	DELEVAN REPLACEMENT PART NUMBER	DESCRIPTION	DLA ASSIGNED PART NUMBER
M1331	M1331-474K	Surface Mount, Shielded Inductor, 470 uH, +/- 10%	M83446/27-08F	MIL1331	MIL1331-474K	Surface Mount, Shielded Inductor, 470 uH, +/- 10%	M83446/35-08F
M1331	M1331-561K	Surface Mount, Shielded Inductor, .56 uH, +/- 10%	M83446/26-10F	MIL1331	MIL1331-561K	Surface Mount, Shielded Inductor, .56 uH, +/- 10%	M83446/34-10F
M1331	M1331-562K	Surface Mount, Shielded Inductor, 5.6 uH, +/- 10%	M83446/26-22F	MIL1331	MIL1331-562K	Surface Mount, Shielded Inductor, 5.6 uH, +/- 10%	M83446/34-22F
M1331	M1331-563K	Surface Mount, Shielded Inductor, 56 uH, +/- 10%	M83446/26-34F	MIL1331	MIL1331-563K	Surface Mount, Shielded Inductor, 56 uH, +/- 10%	M83446/34-34F
M1331	M1331-564K	Surface Mount, Shielded Inductor, 560 uH, +/- 10%	M83446/27-09F	MIL1331	MIL1331-564K	Surface Mount, Shielded Inductor, 560 uH, +/- 10%	M83446/35-09F
M1331	M1331-681K	Surface Mount, Shielded Inductor, .68 uH, +/- 10%	M83446/26-11F	MIL1331	MIL1331-681K	Surface Mount, Shielded Inductor, .68 uH, +/- 10%	M83446/34-11F
M1331	M1331-682K	Surface Mount, Shielded Inductor, 6.8 uH, +/- 10%	M83446/26-23F	MIL1331	MIL1331-682K	Surface Mount, Shielded Inductor, 6.8 uH, +/- 10%	M83446/34-23F
M1331	M1331-683K	Surface Mount, Shielded Inductor, 68 uH, +/- 10%	M83446/26-35F	MIL1331	MIL1331-683K	Surface Mount, Shielded Inductor, 68 uH, +/- 10%	M83446/34-35F
M1331	M1331-821K	Surface Mount, Shielded Inductor, .82 uH, +/- 10%	M83446/26-12F	MIL1331	MIL1331-821K	Surface Mount, Shielded Inductor, .82 uH, +/- 10%	M83446/34-12F

DELEVAN SERIES	DELEVAN OBSOLETE PART NUMBER	DESCRIPTION	DLA ASSIGNED PART NUMBER	DELEVAN SERIES	DELEVAN REPLACEMENT PART NUMBER	DESCRIPTION	DLA ASSIGNED PART NUMBER
M1331	M1331-822K	Surface Mount, Shielded Inductor, 8.2 uH , +/- 10%	M83446/26-24F	MIL1331	MIL1331-822K	Surface Mount, Shielded Inductor, 8.2 uH , +/- 10%	M83446/34-24F
M1331	M1331-823K	Surface Mount, Shielded Inductor, 82 uH , +/- 10%	M83446/26-36F	MIL1331	MIL1331-823K	Surface Mount, Shielded Inductor, 82 uH , +/- 10%	M83446/34-36F

SERIES M0820



Unshielded Surface Mount Inductors



Military QPL Approval
 M83446/20 Phenolic Core
 M83446/21 Iron Core
 M83446/22 Ferrite Core

† **Ordering Note** Military parts must be ordered to the M83446/ part number

Physical Parameters

	Inches	Millimeters
A	0.075 to 0.095	1.91 to 2.41
AA	0.095 to 0.115	2.41 to 2.92
B	0.230 to 0.255	5.84 to 6.48
C	0.130 to 0.160	3.30 to 4.06
D	0.040 to 0.060	1.02 to 1.52
E	0.075 to 0.081	1.91 to 2.06

Dimensions "A" and "C" are over terminations

Weight Max (Grams) 0.19 Phenolic, .22 Iron & Ferrite

Operating Temperature Range
 -55°C to +125°C Phenolic, -55°C to +105°C Iron & Ferrite

Current Rating at 90°C Ambient
 35°C Rise Phenolic, 15°C Iron & Ferrite

Maximum Power Dissipation at 90°C
 .145 mW Phenolic, .062 mW iron & Ferrite

Marking Delevan; military part number; date code (YYWWL)
 Example: M0820-68K

DELEVAN
 M83446/21-26F
 1321A

Packaging Tape & reel (16mm): 7" reel, 500 pieces max., 13" reel, 2200 pieces max.

Made In the U.S.A.

DASH NUMBER*	MIL DASH #	INDUCTANCE (μH) ±10%	TEST FREQUENCY (MHz) Q MINIMUM	SRF MINIMUM (MHz)	CURRENT RATING MAXIMUM (mA)	DC RESISTANCE MAXIMUM (OHMS)
--------------	------------	----------------------	--------------------------------	-------------------	-----------------------------	------------------------------

M83446/20 – SERIES M0820 PHENOLIC CORE							
-00K	01F	0.10	25	25.0	640.0	865	0.14
-02K	02F	0.12	25	25.0	610.0	785	0.17
-04K	03F	0.15	25	25.0	530.0	725	0.20
-06K	04F	0.18	25	25.0	510.0	690	0.22
-08K	05F	0.22	25	25.0	480.0	635	0.26
-10K	06F	0.27	25	25.0	440.0	510	0.40
-12K	07F	0.33	25	25.0	410.0	455	0.50
-14K	08F	0.39	25	25.0	380.0	415	0.60
-16K	09F	0.47	25	25.0	340.0	405	0.63

M83446/21 – SERIES M0820 IRON CORE							
-18K	01F	0.56	35	25.0	240.0	500	0.19
-20K	02F	0.68	35	25.0	210.0	475	0.21
-22K	03F	0.82	35	25.0	200.0	444	0.24
-24K	04F	1.00	35	7.9	180.0	418	0.27
-26K	05F	1.20	25	7.9	160.0	385	0.32
-28K	06F	1.50	30	7.9	140.0	300	0.53
-30K	07F	1.80	30	7.9	125.0	283	0.59
-32K	08F	2.20	30	7.9	120.0	250	0.76
-34K	09F	2.70	30	7.9	100.0	229	0.90
-36K	10F	3.30	35	7.9	90.0	187	1.35
-38K	11F	3.90	35	7.9	85.0	167	1.70
-40K	12F	4.70	35	7.9	80.0	143	2.30
-42K	13F	5.60	35	7.9	75.0	123	3.10
-44K	14F	6.80	35	7.9	64.0	114	3.60
-46K	15F	8.20	35	7.9	50.0	99	4.80
-48K	16F	10.0	35	7.9	45.0	91	5.70
-50K	17F	12.0	25	2.5	29.0	120	3.30
-52K	18F	15.0	25	2.5	24.0	110	3.80
-54K	19F	18.0	25	2.5	21.0	106	4.20
-56K	20F	22.0	25	2.5	18.0	100	4.70
-58K	21F	27.0	25	2.5	17.0	91	5.70
-60K	22F	33.0	25	2.5	15.0	87	6.20
-62K	23F	39.0	25	2.5	13.0	76	8.10
-64K	24F	47.0	25	2.5	12.0	69	9.80
-66K	25F	56.0	25	2.5	11.0	62	12.0
-68K	26F	68.0	25	2.5	10.0	58	13.8
-70K	27F	82.0	25	2.5	9.0	50	19.0
-72K	28F	100.0	25	2.5	8.9	47	21.0

M83446/22 – SERIES M0820 FERRITE CORE							
-74K	01F	120.0	15	0.79	8.5	52	17.0
-76K	02F	150.0	15	0.79	7.6	49	19.0
-78K	03F	180.0	15	0.79	7.2	46	21.5
-80K	04F	220.0	15	0.79	6.8	38	32.0
-82K	05F	270.0	15	0.79	6.2	35	37.0
-84K	06F	330.0	15	0.79	5.3	31	47.0
-86K	07F	390.0	15	0.79	5.0	30	53.0
-88K	08F	470.0	15	0.79	4.6	28	60.0
-90K	09F	560.0	15	0.79	4.3	25	71.0
-92K	10F	680.0	15	0.79	3.8	23	83.0
-94K	11F	820.0	15	0.79	3.2	22	95.0
-96K	12F	1000.0	15	0.79	2.4	20	108.0

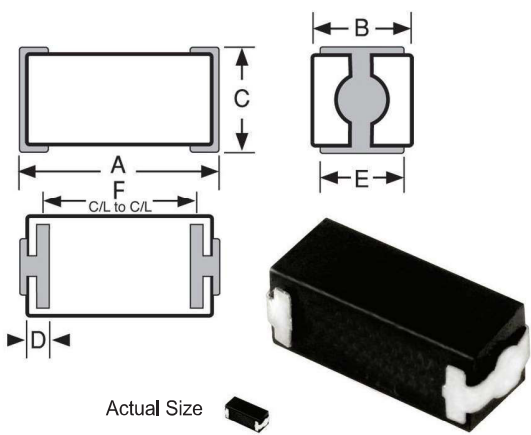
Parts listed above are QPL/MIL qualified

*Complete part # must include series # PLUS the dash #

SERIES M1330



Unshielded Surface Mount Inductors



Military QPL Approval
 M83446/23 Phenolic Core
 M83446/24 Iron Core
 M83446/25 Ferrite Core

† **Ordering Note** Military parts must be ordered to the M83446/ part number

Physical Parameters

	Inches	Millimeters
A	0.300 to 0.320	7.62 to 8.13
B	0.105 to 0.125	2.67 to 3.18
C	0.125 to 0.145	3.18 to 3.68
D	0.020 to 0.040	0.51 to 1.02
E	0.075 to 0.095	1.91 to 2.41
F	0.230 to 0.260	5.84 to 6.60

Dimensions "A" & "C" are over terminals

Weight Max (Grams) 0.30

Operating Temperature Range

Phenolic: -55°C to +125°C
 Iron and Ferrite: -55°C to +105°C

Current Rating at 90°C Ambient

Phenolic: 35°C Rise
 Iron and Ferrite: 15°C Rise

Maximum Power Dissipation at 90°C Ambient

Phenolic: 0.210 W
 Iron: 0.090 W
 Ferrite: 0.073 W

Marking Delevan; dash number; date code (YYWWL) followed by an M.

Example: M1330-42K
 DELEVAN
 42
 1322A M

Packaging Tape & reel (16mm): 7" reel, 500 pieces max.; 13" reel, 2200 pieces max.

Made in the U.S.A.

DASH NUMBER*	MIL DASH #	INDUCTANCE (µH) ±10%	TEST FREQUENCY (MHz)	SRF MINIMUM (MHz)	DC RESISTANCE MAXIMUM (OHMS)	CURRENT RATING MAXIMUM (mA)
--------------	------------	----------------------	----------------------	-------------------	------------------------------	-----------------------------

M83446/23 – SERIES M1330 PHENOLIC CORE							
-94K	01F	0.10	40	25.0	680.0	0.08	1380
-96K	02F	0.12	40	25.0	640.0	0.09	1300
-00K	03F	0.15	38	25.0	600.0	0.10	1230
-02K	04F	0.18	35	25.0	550.0	0.12	1120
-04K	05F	0.22	33	25.0	510.0	0.14	1040
-06K	06F	0.27	33	25.0	430.0	0.16	975
-08K	07F	0.33	30	25.0	410.0	0.22	830
-10K	08F	0.39	30	25.0	365.0	0.30	710
-12K	09F	0.47	30	25.0	330.0	0.35	660
-14K	10F	0.56	30	25.0	300.0	0.50	550
-16K	11F	0.68	28	25.0	275.0	0.60	500
-18K	12F	0.82	28	25.0	250.0	0.85	420
-20K	13F	1.00	25	25.0	230.0	1.00	390
M83446/24 – SERIES M1330 IRON CORE							
-22K	01F	1.20	25	7.9	150.0	0.18	620
-24K	02F	1.50	28	7.9	140.0	0.22	560
-26K	03F	1.80	30	7.9	125.0	0.30	480
-28K	04F	2.20	30	7.9	115.0	0.40	415
-30K	05F	2.70	37	7.9	100.0	0.55	355
-32K	06F	3.30	45	7.9	90.0	0.85	285
-34K	07F	3.90	45	7.9	80.0	1.00	263
-36K	08F	4.70	45	7.9	75.0	1.20	239
-38K	09F	5.60	50	7.9	65.0	1.80	195
-40K	10F	6.80	50	7.9	60.0	2.00	185
-42K	11F	8.20	55	7.9	55.0	2.70	160
-44K	12F	10.00	55	7.9	50.0	3.30	144
-46K	13F	12.0	45	2.5	40.0	2.70	160
-48K	14F	15.0	45	2.5	35.0	2.80	157
-50K	15F	18.0	45	2.5	30.0	3.10	149
-52K	16F	22.0	45	2.5	25.0	3.30	144
-54K	17F	27.0	45	2.5	20.0	3.50	140
M83446/25 – SERIES M1330 FERRITE CORE							
-56K	01F	33.0	35	2.5	24.0	3.40	130
-58K	02F	39.0	35	2.5	22.0	3.60	125
-60K	03F	47.0	35	2.5	20.0	4.50	110
-62K	04F	56.0	35	2.5	18.0	5.70	100
-64K	05F	68.0	35	2.5	15.0	6.70	92
-66K	06F	82.0	35	2.5	14.0	7.30	88
-68K	07F	100.0	35	2.5	13.0	8.00	84
-70K	08F	120.0	30	0.79	12.0	13.00	66
-72K	09F	150.0	30	0.79	11.0	15.00	61
-74K	10F	180.0	30	0.79	10.0	17.00	57
-76K	11F	220.0	30	0.79	9.0	21.00	52
-78K	12F	270.0	30	0.79	8.0	25.00	47
-80K	13F	330.0	30	0.79	7.0	28.00	45
-82K	14F	390.0	30	0.79	6.5	35.00	40
-84K	15F	470.0	30	0.79	6.0	42.00	36
-86K	16F	560.0	30	0.79	5.0	46.00	35
-88K	17F	680.0	30	0.79	4.2	60.00	30
-90K	18F	820.0	30	0.79	3.8	65.00	29
-92K	19F	1000.0	30	0.79	3.4	72.00	28

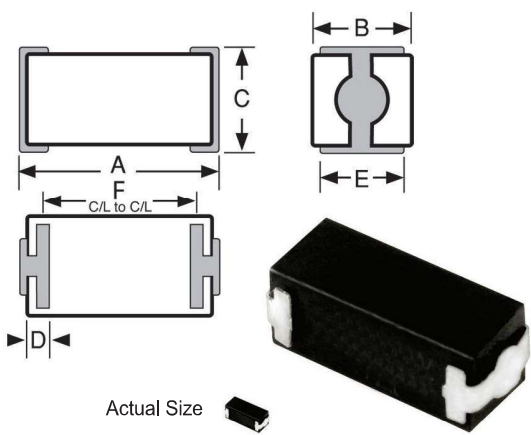
Parts listed above are QPL/MIL qualified

*Complete part # must include series # PLUS the dash #

SERIES M1331



Shielded Surface Mount Inductors



Military QPL Approval

- M83446/26 Iron Core/Iron Sleeve
- M83446/26 Iron Core/Ferrite Sleeve
- M83446/27 Ferrite Core/Ferrite Sleeve

† **Ordering Note** Military parts must be ordered to the M83446/ part number

Physical Parameters

	Inches	Millimeters
A	0.300 to 0.320	7.62 to 8.13
B	0.105 to 0.125	2.67 to 3.18
C	0.125 to 0.145	3.18 to 3.68
D	0.020 to 0.040	0.51 to 1.02
E	0.075 to 0.095	1.91 to 2.41
F	0.230 to 0.260	5.84 to 6.60

Dimensions "A" and "C" are over terminations

Weight Max (Grams) 0.30

Operating Temperature Range -55°C to +105°C

Current Rating at 90°C Ambient 15°C Rise

Maximum Power Dissipation at 90°C 0.585 W

Incremental Current Current level which causes a maximum of 5% decrease in inductance.

Coupling 3% Max.

****Note** Self Resonant Frequency (SRF) values for -101K to -331K are calculated and for reference only.

Marking Delevan; dash number followed by an S; date code (YYWWL) followed by an M.

Example: M1331-683K
 DELEVAN
 683S
 1321A M

DASH NUMBER*
 MIL DASH #
 INDUCTANCE (μH) ±10%
 TEST FREQUENCY (MHz)
 Q MINIMUM
 SRF MINIMUM (MHz)
 CURRENT RATING MAXIMUM (mA)
 DC RESISTANCE MAXIMUM (OHMS)
 INCREMENTAL CURRENT (mA)

M83446/26 – SERIES M1331 IRON CORE - IRON SLEEVE								
-101K	01F	0.10	45	25.0	490.0**	670	0.10	670
-121K	02F	0.12	45	25.0	430.0**	635	0.11	635
-151K	03F	0.15	45	25.0	415.0**	610	0.12	610
-181K	04F	0.18	45	25.0	375.0**	585	0.13	585
-221K	05F	0.22	45	25.0	330.0**	545	0.15	545
-271K	06F	0.27	45	25.0	300.0**	530	0.16	530
-331K	07F	0.33	44	25.0	260.0**	495	0.18	495
-391K	08F	0.39	42	25.0	230.0	485	0.19	485
-471K	09F	0.47	41	25.0	220.0	460	0.21	460
-561K	10F	0.56	41	25.0	210.0	440	0.23	440
-681K	11F	0.68	39	25.0	180.0	430	0.24	430
-821K	12F	0.82	38	25.0	165.0	405	0.27	405
-102K	13F	1.00	37	25.0	150.0	385	0.30	385
-122K	14F	1.20	40	7.9	130.0	247	0.73	247
-152K	15F	1.50	41	7.9	115.0	228	0.86	228
-182K	16F	1.80	43	7.9	105.0	217	0.95	217
-222K	17F	2.20	45	7.9	95.0	202	1.10	202
-272K	18F	2.70	48	7.9	90.0	193	1.20	193
-332K	19F	3.30	49	7.9	80.0	185	1.30	185
-392K	20F	3.90	50	7.9	75.0	173	1.50	173
-472K	21F	4.70	50	7.9	70.0	136	2.40	136
-562K	22F	5.60	50	7.9	60.0	124	2.90	124
-682K	23F	6.80	50	7.9	55.0	118	3.20	118
-822K	24F	8.20	50	7.9	53.0	111	3.60	111
-103K	25F	10.0	50	7.9	50.0	106	4.00	106

M83446/26 – SERIES M1331 IRON CORE - FERRITE SLEEVE								
-123K	26F	12.0	36	2.5	35.0	122	3.00	122
-153K	27F	15.0	38	2.5	30.0	115	3.40	115
-183K	28F	18.0	40	2.5	26.0	108	3.80	108
-223K	29F	22.0	40	2.5	24.0	96	4.90	96
-273K	30F	27.0	40	2.5	21.0	88	5.80	88
-333K	31F	33.0	41	2.5	20.0	83	6.50	83
-393K	32F	39.0	42	2.5	19.0	75	7.90	75
-473K	33F	47.0	44	2.5	16.0	69	9.30	69
-563K	34F	56.0	44	2.5	15.0	64	11.0	64
-683K	35F	68.0	45	2.5	13.0	61	12.0	61
-823K	36F	82.0	45	2.5	11.0	59	13.0	59
-104K	37F	100.0	40	2.5	10.5	51	16.8	51

M83446/27 – SERIES M1331 FERRITE CORE - FERRITE SLEEVE								
-124K	01F	120.0	31	0.79	13.0	88	5.80	27
-154K	02F	150.0	33	0.79	12.0	75	7.90	24
-184K	03F	180.0	33	0.79	11.0	69	9.40	22
-224K	04F	220.0	35	0.79	10.0	64	11.0	20
-274K	05F	270.0	35	0.79	9.0	61	12.0	18
-334K	06F	330.0	35	0.79	8.0	53	16.0	16
-394K	07F	390.0	35	0.79	7.8	46	21.0	14
-474K	08F	470.0	35	0.79	7.5	43	24.0	13
-564K	09F	560.0	35	0.79	7.0	40	28.0	12

Parts listed above are QPL/MIL qualified

*Complete part # must include series # PLUS the dash #

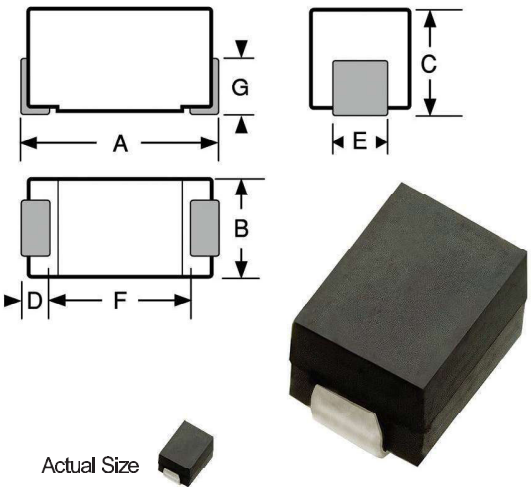
Packaging Tape & reel (16mm): 7" reel, 500 pieces max.; 13" reel, 2200 pieces max.

Made In the U.S.A.



SERIES MIL1330 

Unshielded Surface Mount Inductors



Military QPL Approval
 M83446/31 Phenolic Core
 M83446/32 Iron Core
 M83446/33 Ferrite Core

† **Ordering Note** Military parts must be ordered to the M83446/ part number

Physical Parameters

	Inches	Millimeters
A	0.300 to 0.325	7.62 to 8.26
B	0.105 to 0.125	2.67 to 3.18
C	0.125 to 0.145	3.18 to 3.68
D	0.020 Min.	0.508 Min.
E	0.040 to 0.060	1.02 to 1.52
F	0.190 (Ref. only)	4.83 (Ref. only)
G	0.070 (Ref. only)	1.78 (Ref. only)

Weight Max (Grams) 0.30

Operating Temperature Range

Phenolic: -55°C to +125°C
 Iron and Ferrite: -55°C to +105°C

Current Rating at 90°C Ambient

Phenolic: 35°C Rise
 Iron and Ferrite: 15°C Rise

Maximum Power Dissipation at 90°C Ambient

Phenolic: 0.210 W
 Iron: 0.090 W
 Ferrite: 0.073 W

Marking Delevan; dash number; date code (YYWWL) followed by M.

Example: MIL1330-42K
 DELEVAN
 42
 1801A M

Packaging Tape & reel (16mm): 7" reel, 500 pieces max.; 13" reel, 2200 pieces max.

Made in the U.S.A.

DASH NUMBER*	MIL DASH #	INDUCTANCE (µH) ±10%	TEST FREQUENCY (MHz)	Q MINIMUM	SRF MINIMUM (MHz)	DC RESISTANCE MAXIMUM (OHMS)	CURRENT RATING MAXIMUM (mA)
--------------	------------	----------------------	----------------------	-----------	-------------------	------------------------------	-----------------------------

M83446/31 – SERIES MIL1330 PHENOLIC CORE							
-94K	01F	0.10	40	25.0	680.0	0.08	1380
-96K	02F	0.12	40	25.0	640.0	0.09	1300
-00K	03F	0.15	38	25.0	600.0	0.10	1230
-02K	04F	0.18	35	25.0	550.0	0.12	1120
-04K	05F	0.22	33	25.0	510.0	0.14	1040
-06K	06F	0.27	33	25.0	430.0	0.16	975
-08K	07F	0.33	30	25.0	410.0	0.22	830
-10K	08F	0.39	30	25.0	365.0	0.30	710
-12K	09F	0.47	30	25.0	330.0	0.35	660
-14K	10F	0.56	30	25.0	300.0	0.50	550
-16K	11F	0.68	28	25.0	275.0	0.60	500
-18K	12F	0.82	28	25.0	250.0	0.85	420
-20K	13F	1.00	25	25.0	230.0	1.00	390

M83446/32 – SERIES MIL1330 IRON CORE							
-22K	01F	1.20	25	7.9	150.0	0.18	620
-24K	02F	1.50	28	7.9	140.0	0.22	560
-26K	03F	1.80	30	7.9	125.0	0.30	480
-28K	04F	2.20	30	7.9	115.0	0.40	415
-30K	05F	2.70	37	7.9	100.0	0.55	355
-32K	06F	3.30	45	7.9	90.0	0.85	285
-34K	07F	3.90	45	7.9	80.0	1.00	263
-36K	08F	4.70	45	7.9	75.0	1.20	239
-38K	09F	5.60	50	7.9	65.0	1.80	195
-40K	10F	6.80	50	7.9	60.0	2.00	185
-42K	11F	8.20	55	7.9	55.0	2.70	160
-44K	12F	10.00	55	7.9	50.0	3.30	144
-46K	13F	12.0	45	2.5	40.0	2.70	160
-48K	14F	15.0	45	2.5	35.0	2.80	157
-50K	15F	18.0	45	2.5	30.0	3.10	149
-52K	16F	22.0	45	2.5	25.0	3.30	144
-54K	17F	27.0	45	2.5	20.0	3.50	140

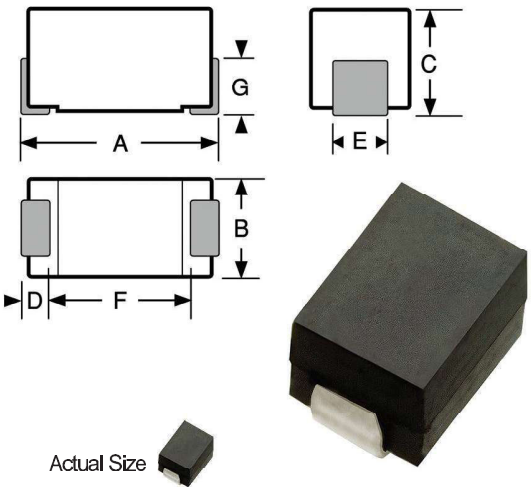
M83446/33 – SERIES MIL1330 FERRITE CORE							
-56K	01F	33.0	35	2.5	24.0	3.40	130
-58K	02F	39.0	35	2.5	22.0	3.60	125
-60K	03F	47.0	35	2.5	20.0	4.50	110
-62K	04F	56.0	35	2.5	18.0	5.70	100
-64K	05F	68.0	35	2.5	15.0	6.70	92
-66K	06F	82.0	35	2.5	14.0	7.30	88
-68K	07F	100.0	35	2.5	13.0	8.00	84
-70K	08F	120.0	30	0.79	12.0	13.00	66
-72K	09F	150.0	30	0.79	11.0	15.00	61
-74K	10F	180.0	30	0.79	10.0	17.00	57
-76K	11F	220.0	30	0.79	9.0	21.00	52
-78K	12F	270.0	30	0.79	8.0	25.00	47
-80K	13F	330.0	30	0.79	7.0	28.00	45
-82K	14F	390.0	30	0.79	6.5	35.00	40
-84K	15F	470.0	30	0.79	6.0	42.00	36
-86K	16F	560.0	30	0.79	5.0	46.00	35
-88K	17F	680.0	30	0.79	4.2	60.00	30
-90K	18F	820.0	30	0.79	3.8	65.00	29
-92K	19F	1000.0	30	0.79	3.4	72.00	28

Parts listed above are QPL/MIL qualified

*Complete part # must include series # PLUS the dash #

SERIES MIL1331

Shielded Surface Mount Inductors



Military QPL Approval

- M83446/34 Iron Core/Iron Sleeve
- M83446/34 Iron Core/Ferrite Sleeve
- M83446/35 Ferrite Core/Ferrite Sleeve

† **Ordering Note** Military parts must be ordered to the M83446/ part number

Physical Parameters

	Inches	Millimeters
A	0.300 to 0.325	7.62 to 8.26
B	0.105 to 0.125	2.67 to 3.18
C	0.125 to 0.145	3.18 to 3.68
D	0.020 Min.	0.508 Min.
E	0.040 to 0.060	1.02 to 1.52
F	0.190 (Ref. only)	4.83 (Ref. only)
G	0.070 (Ref. only)	1.78 (Ref. only)

Dimensions "A" and "C" are over terminations

Weight Max (Grams) 0.30

Operating Temperature Range -55°C to +105°C

Current Rating at 90°C Ambient 15°C Rise

Maximum Power Dissipation at 90°C 0.585 W

Incremental Current Current level which causes a maximum of 5% decrease in inductance.

Coupling 3% Max.

****Note** Self Resonant Frequency (SRF) values for -101K to -331K are calculated and for reference only.

Marking Delevan; dash number followed by S; date code (YYWWL) followed by M.

Example: MIL 1331-683K
 DELEVAN
 683 S
 1809A M

DASH NUMBER*	MIL DASH #	INDUCTANCE (µH) ±10%	TEST FREQUENCY (MHz)	SRF MINIMUM (MHz)	CURRENT RATING MAXIMUM (mA)	DC RESISTANCE MAXIMUM (OHMS)	INCREMENTAL CURRENT (mA)
--------------	------------	----------------------	----------------------	-------------------	-----------------------------	------------------------------	--------------------------

SERIES MIL1331 IRON CORE - IRON SLEEVE								
-101K	01F	0.10	45	25.0	490.0**	670	0.10	670
-121K	02F	0.12	45	25.0	430.0**	635	0.11	635
-151K	03F	0.15	45	25.0	415.0**	610	0.12	610
-181K	04F	0.18	45	25.0	375.0**	585	0.13	585
-221K	05F	0.22	45	25.0	330.0**	545	0.15	545
-271K	06F	0.27	45	25.0	300.0**	530	0.16	530
-331K	07F	0.33	44	25.0	260.0**	495	0.18	495
-391K	08F	0.39	42	25.0	230.0	485	0.19	485
-471K	09F	0.47	41	25.0	220.0	460	0.21	460
-561K	10F	0.56	41	25.0	210.0	440	0.23	440
-681K	11F	0.68	39	25.0	180.0	430	0.24	430
-821K	12F	0.82	38	25.0	165.0	405	0.27	405
-102K	13F	1.00	37	25.0	150.0	385	0.30	385
-122K	14F	1.20	40	7.9	130.0	247	0.73	247
-152K	15F	1.50	41	7.9	115.0	228	0.86	228
-182K	16F	1.80	43	7.9	105.0	217	0.95	217
-222K	17F	2.20	45	7.9	95.0	202	1.10	202
-272K	18F	2.70	48	7.9	90.0	193	1.20	193
-332K	19F	3.30	49	7.9	80.0	185	1.30	185
-392K	20F	3.90	50	7.9	75.0	173	1.50	173
-472K	21F	4.70	50	7.9	70.0	136	2.40	136
-562K	22F	5.60	50	7.9	60.0	124	2.90	124
-682K	23F	6.80	50	7.9	55.0	118	3.20	118
-822K	24F	8.20	50	7.9	53.0	111	3.60	111
-103K	25F	10.0	50	7.9	50.0	106	4.00	106

SERIES MIL1331 IRON CORE - FERRITE SLEEVE								
-123K	26F	12.0	36	2.5	35.0	122	3.00	122
-153K	27F	15.0	38	2.5	30.0	115	3.40	115
-183K	28F	18.0	40	2.5	26.0	108	3.80	108
-223K	29F	22.0	40	2.5	24.0	96	4.90	96
-273K	30F	27.0	40	2.5	21.0	88	5.80	88
-333K	31F	33.0	41	2.5	20.0	83	6.50	83
-393K	32F	39.0	42	2.5	19.0	75	7.90	75
-473K	33F	47.0	44	2.5	16.0	69	9.30	69
-563K	34F	56.0	44	2.5	15.0	64	11.0	64
-683K	35F	68.0	45	2.5	13.0	61	12.0	61
-823K	36F	82.0	45	2.5	11.0	59	13.0	59
-104K	37F	100.0	40	2.5	10.5	51	16.8	51

SERIES MIL1331 FERRITE CORE - FERRITE SLEEVE								
-124K	01F	120.0	31	0.79	13.0	88	5.80	27
-154K	02F	150.0	33	0.79	12.0	75	7.90	24
-184K	03F	180.0	33	0.79	11.0	69	9.40	22
-224K	04F	220.0	35	0.79	10.0	64	11.0	20
-274K	05F	270.0	35	0.79	9.0	61	12.0	18
-334K	06F	330.0	35	0.79	8.0	53	16.0	16
-394K	07F	390.0	35	0.79	7.8	46	21.0	14
-474K	08F	470.0	35	0.79	7.5	43	24.0	13
-564K	09F	560.0	35	0.79	7.0	40	28.0	12

Parts listed above are QPL/MIL qualified

*Complete part # must include series # PLUS the dash #

Packaging Tape & reel (16mm): 7" reel, 500 pieces max.; 13" reel, 2200 pieces max.

Made In the U.S.A.

DVN4652-36FTR

DVN4652-56FTR