

Product consolidation OMNIMATE® Power connectors SLF 7.62HP

Dear Madam or Sir,

we hereby inform you that the below listed articles have been subjected to be discontinued and will no longer be available after a transitional period. Please pass this product information only to your employees and possibly to your customers

1. General Overview

Type of notification: PDN (>6 months) Short-term action (<6 months)

Short-term action due to:

- | | |
|--|---|
| <input type="checkbox"/> Software / Firmware Bugfix | <input type="checkbox"/> Short term delivery stop by supplier |
| <input type="checkbox"/> Short term recall by supplier | <input type="checkbox"/> Force majeure |
| <input type="checkbox"/> Product improvement with customer benefit | <input type="checkbox"/> other |
-

2. General Information

Technological change, ecological action and competitive supply security require temporary product adjustments or even consolidations. Our phase-out strategy supports you with possible equipment adjustments.
To comply with all national and international standards, we continuously adapt our products and product portfolio and need to discontinue the following products.

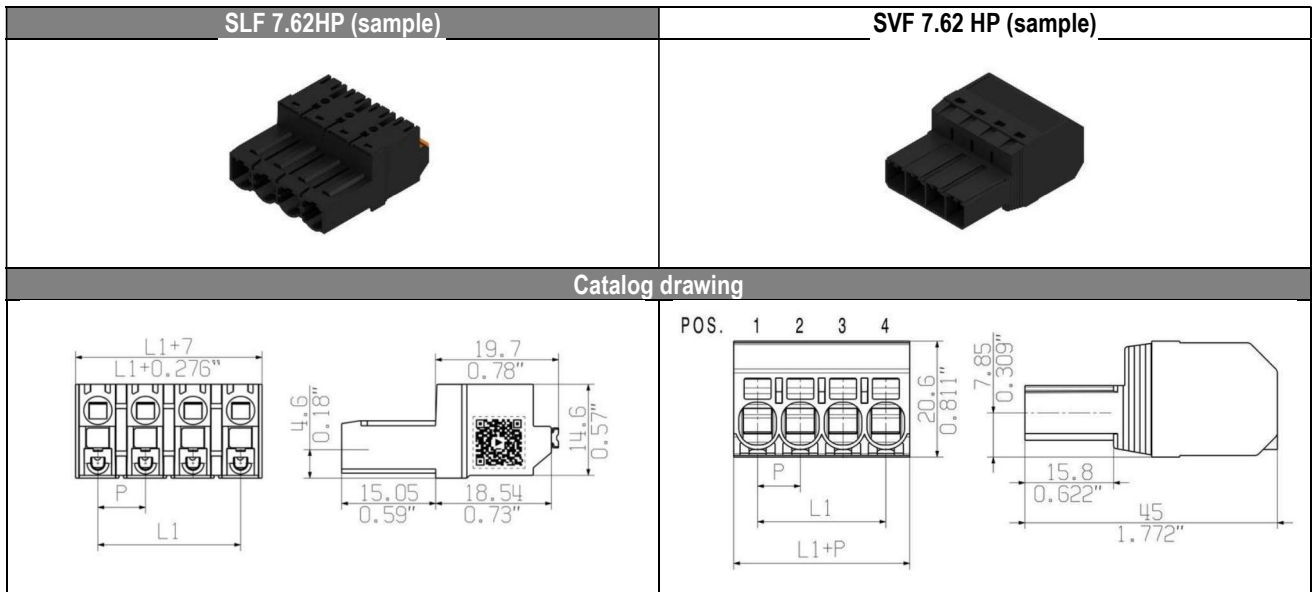
3. Availability

- End of Sales (EoS): 30.11.2027
- End of Delivery (EoD): 31.12.2029
- End of Life/Service (EoL): 31.12.2031

30.11.2027 is the last date for an order, the final deliveries will take place till 31.12.2029.

4. Product comparison

There is no direct successor for the SLF 7.62HP offered.
Depending on the application, the SVF(L) 7.62HP can be used as an alternative.
This must be checked with the customer on a case-by-case basis.



5. Affected parts

Material No. (SAP)	Part description
1043590000	SLF 7.62HP/02/180G SN BK BX
1043600000	SLF 7.62HP/03/180G SN BK BX
1043610000	SLF 7.62HP/04/180G SN BK BX
1043620000	SLF 7.62HP/05/180G SN BK BX
1043650000	SLF 7.62HP/04/180F SN OR BX
1043670000	SLF 7.62HP/02/180F SN BK BX
1043680000	SLF 7.62HP/03/180F SN BK BX
1043690000	SLF 7.62HP/04/180F SN BK BX
1043700000	SLF 7.62HP/05/180F SN BK BX
1043750000	SLF 7.62HP/02/180LR SN BK BX
1043760000	SLF 7.62HP/03/180LR SN BK BX
1043770000	SLF 7.62HP/04/180LR SN BK BX
1043780000	SLF 7.62HP/05/180LR SN BK BX
2632770000	SLF 7.62HP/04/180FSH200 SN BK BX
3002630000	SLF 7.62HP/03/180G SN BK BX PRT
3146440000	SLF 7.62HP/05/180LR SN BK BX PRT
2632730000	SLF 7.62HP/04/180FSH160 SN BK BX
2632790000	SLF 7.62HP/04/180LRSH200 SN BK BX
2614190000	SLF 7.62HP/04/180LRSH180 SN BK BX
2614140000	SLF 7.62HP/04/180FSH180 SN BK BX
2632780000	SLF 7.62HP/04/180LRSH160 SN BK BX

We are very sorry for all the inconveniences caused and doing everything to adjust this product change as smooth as possible without big influence on delivery times and general functions.

For further questions please contact your sales office directly. All contacts for sales representatives are available here:
<http://www.weidmueller.com/contact>

Weidmüller will see this notification as accepted unless a separate procedure is requested in writing within 30 days of the issue date

Best regards

Product Management

Weidmüller Interface GmbH & Co. KG
Klingenbergstraße 16, 32758 Detmold, Germany
Weidmueller – Your partner in Industrial Connectivity
We look forward to sharing ideas with you – **Let's connect.**

Order Number	Type	Potential Item for Replacement	Type	Date of Cancellation
1043240000	BLL 7.62HP/03/90 3.2SN BK BX	On Request	On Request	30.11.2027
1043300000	BLL 7.62HP/05/90F 3.2SN BK BX	On Request	On Request	30.11.2027
1043600000	SLF 7.62HP/03/180G SN BK BX	On Request	On Request	30.11.2027
1043620000	SLF 7.62HP/05/180G SN BK BX	On Request	On Request	30.11.2027
1043770000	SLF 7.62HP/04/180LR SN BK BX	On Request	On Request	30.11.2027
1095660000	BLL 7.62HP/04/90LF 3.2SN BK BX	On Request	On Request	30.11.2027
2062260000	BLL 7.62HP/05/180 4.5SN BK BX	On Request	On Request	30.11.2027
3146440000	SLF 7.62HP/05/180LR SN BK BX PRT	On Request	On Request	30.11.2027