

## Product change notification (PCN)

<b>Title / short description</b>	Approval extension and printing change on Heavycon HC-M-02-03-04 modules and HC-HS-06 inserts
<b>Affected article category</b>	Connector
<b>Change category</b>	Approval, Form and appearance
<b>Change number</b>	CAF250106-00
<b>Reason for PCN/PDN Revision</b>	

---

### Purpose/objective of the change

As part of the continuous improvement process, the UL and CSA certifications are being extended. The product markings and label will be updated accordingly

### Detailed description of the change

As part of our continuous commitment to quality and regulatory compliance, the affected products have received enhanced UL and CSA certifications. To reflect these upgraded approvals, the product markings will be updated accordingly. The improved certifications and updated markings offer the following advantages:

Expanded acceptance in global markets through strengthened UL/CSA compliance.

Simplified product integration for end users and system certifiers due to updated labeling transparency.

### Identifying characteristics

The changes to the printing are listed in the attached PDF file.

<b>Start of Production (SOP)</b>	-	<b>Last Time Delivery (LTD)</b>	-
<b>Effective date (EOP)</b>	2026-07-06	<b>End of Service (EOSR)</b>	-
<b>End of Sales (EOS)</b>	-		

### Short-term change (< 6 months) or discontinuation (< 12 months), due to:

- |   |  |  |
|---|--|--|
| <input type="checkbox"/> Software / Firmware Bugfix | <input type="checkbox"/> Short-term delivery stop by supplier                  | <input type="checkbox"/> Short-term recall by supplier |
| <input type="checkbox"/> Force majeure              | <input checked="" type="checkbox"/> Product improvement with customer benefits |  |
| <input type="checkbox"/> Others                     |  |  |

---

### Attachments

- CAF250106.pdf
- Material\_list.csv
- PCN-CAF250106-00\_EN

### Material list

Item no.	Item Type	Hardware old	Firmware new	Item no.	Substitute item Type
1031080	HC-HS-06-I-PT-F	0	1		
1031082	HC-HS-06-I-PT-M	0	1		
1424218	HC-M-03-PT-F	0	1		
1424219	HC-M-03-PT-M	0	1		
1424220	HC-M-04-PT-F	0	1		
1424221	HC-M-04-PT-M	0	1		
1424222	HC-M-02-PT-F	0	1		
1424223	HC-M-02-PT-M	0	1		

Empowering the All Electric Society 



Welcome

**CAF250106**



CAF250106

# Agenda

- > Change Description
- > Visual Changes
- > Article list

CAF250106

## Change Description

We would like to inform you about an upcoming product improvement concerning the items listed in this notification. As part of our continuous commitment to quality and regulatory compliance, the affected products have received enhanced UL and CSA certifications. To reflect these upgraded approvals, the product markings will be updated accordingly. The improved certifications and updated markings offer the following advantages:

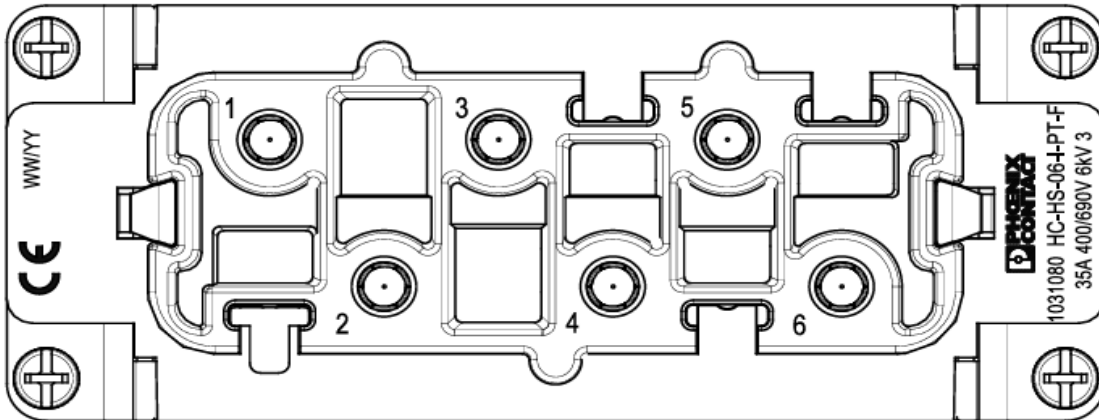
- Expanded acceptance in global markets through strengthened UL/CSA compliance.
- Simplified product integration for end users and system certifiers due to updated labeling transparency.

These updates affect only the markings on the product surface. The product design, functionality, materials, and performance characteristics remain unchanged.

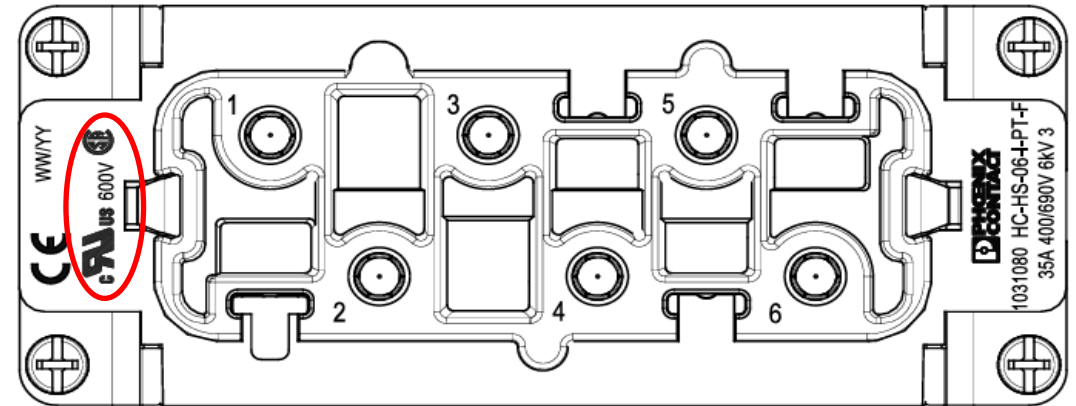
CAF250106

# Visual Changes: 1031080

V/C 0 (current)



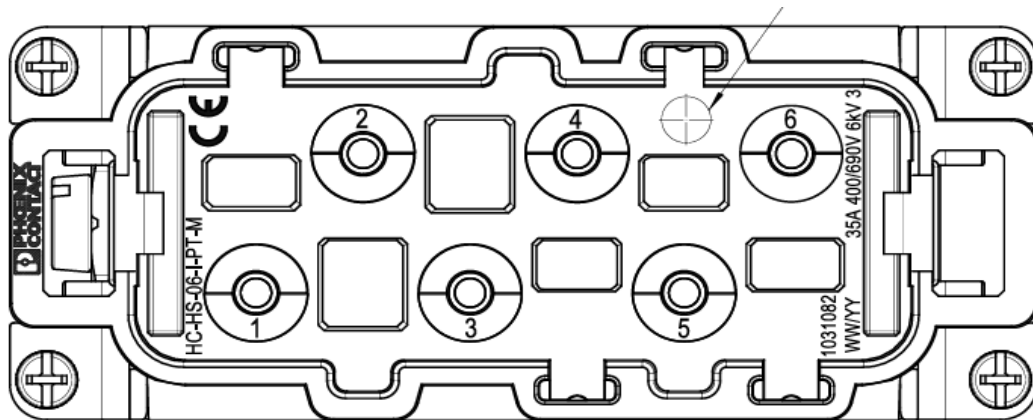
V/C 1 (new)



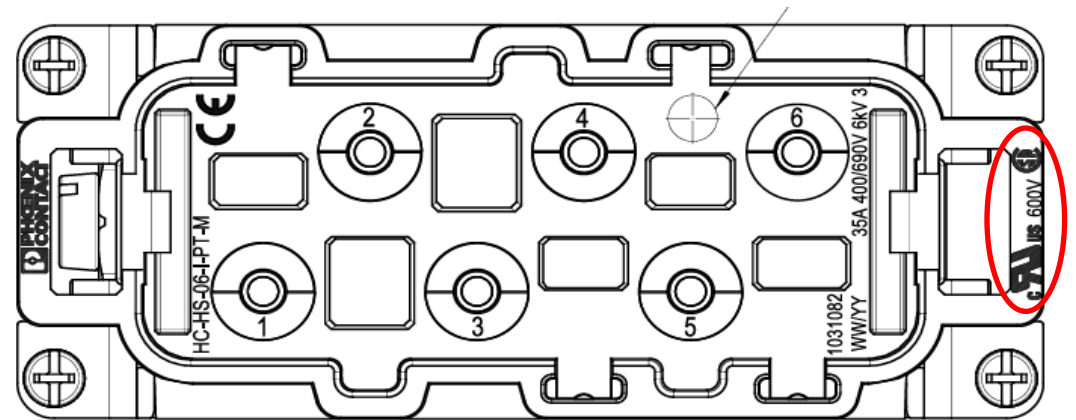
CAF250106

# Visual Changes: 1031082

V/C 0 (current)



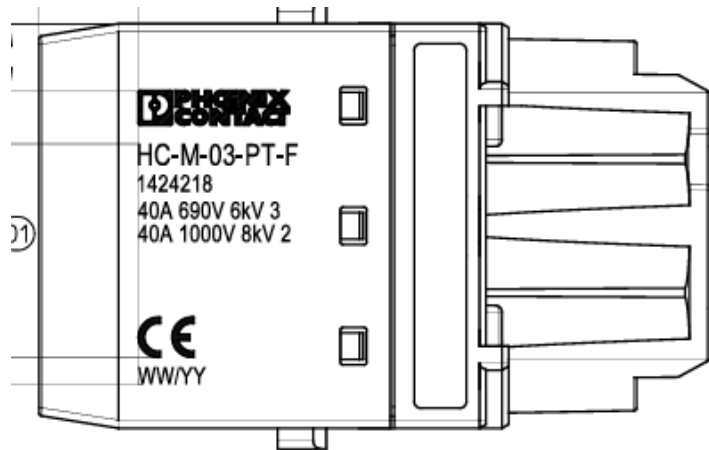
V/C 1 (new)



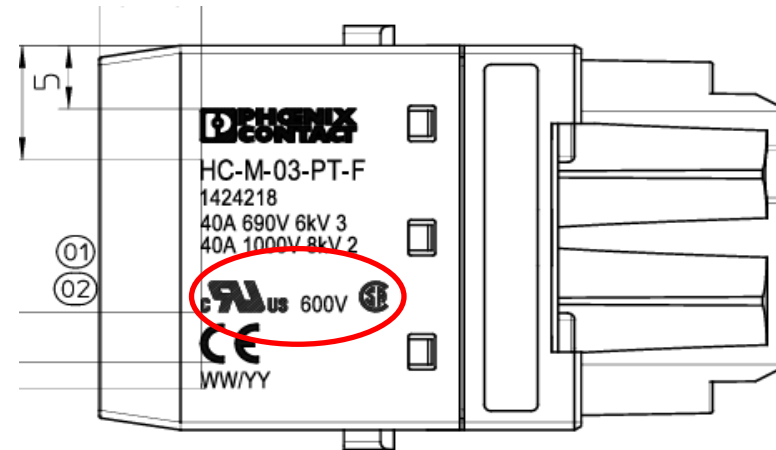
CAF250106

# Visual Changes: 1424218

V/C 0 (current)



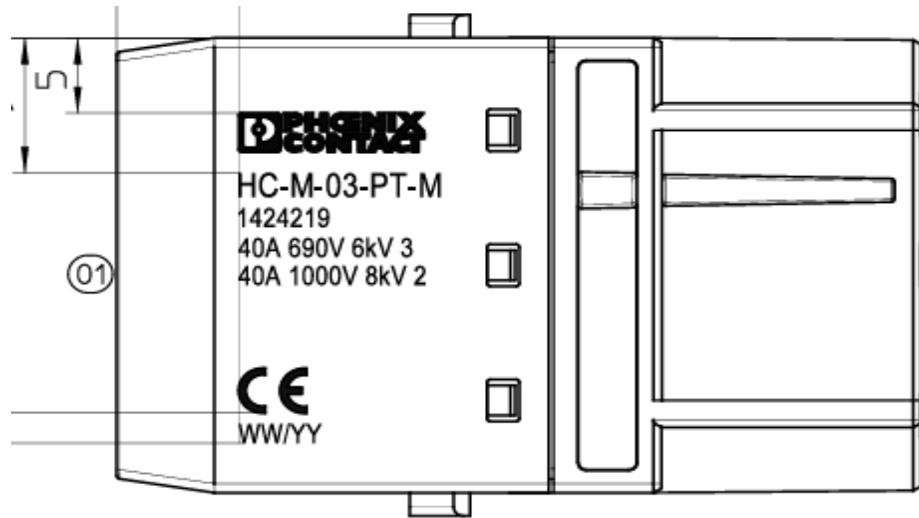
V/C 1 (new)



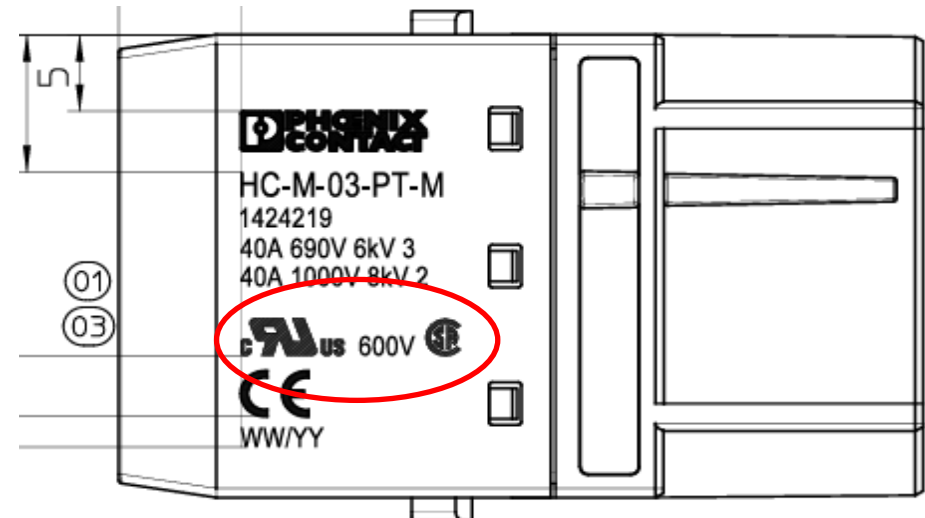
CAF250106

# Visual Changes: 1424219

V/C 0 (current)



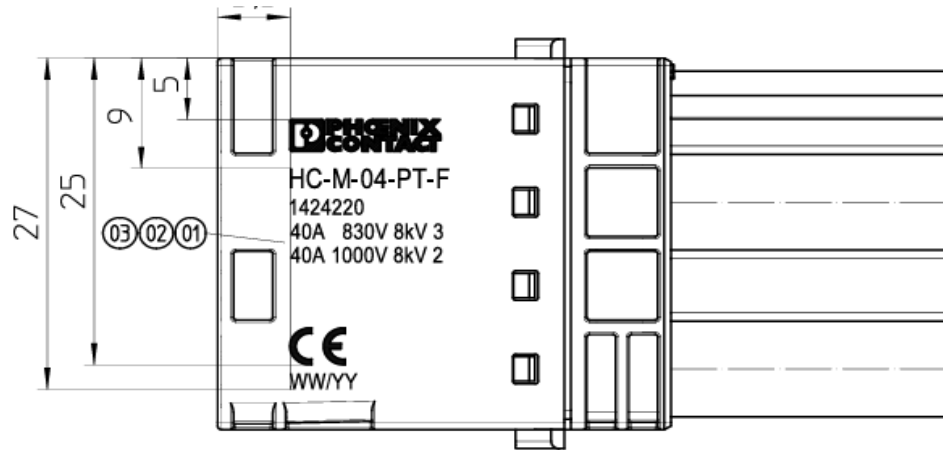
V/C 1 (new)



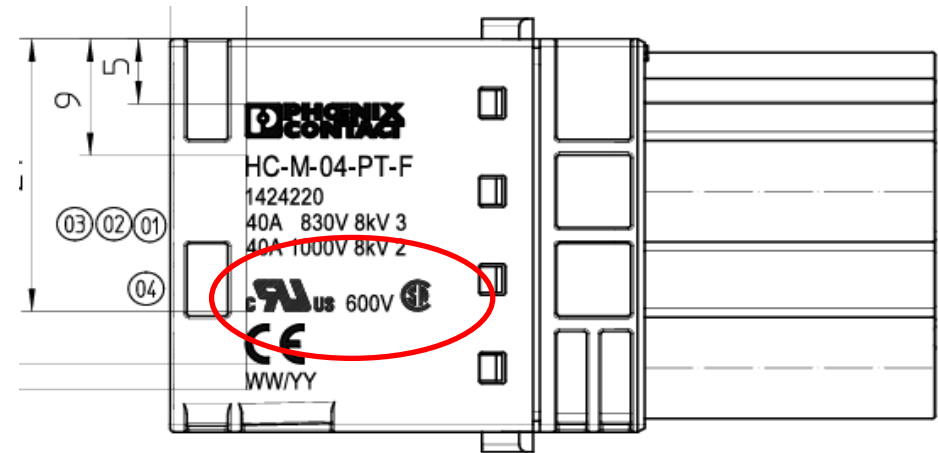
CAF250106

# Visual Changes: 1424220

V/C 0 (current)



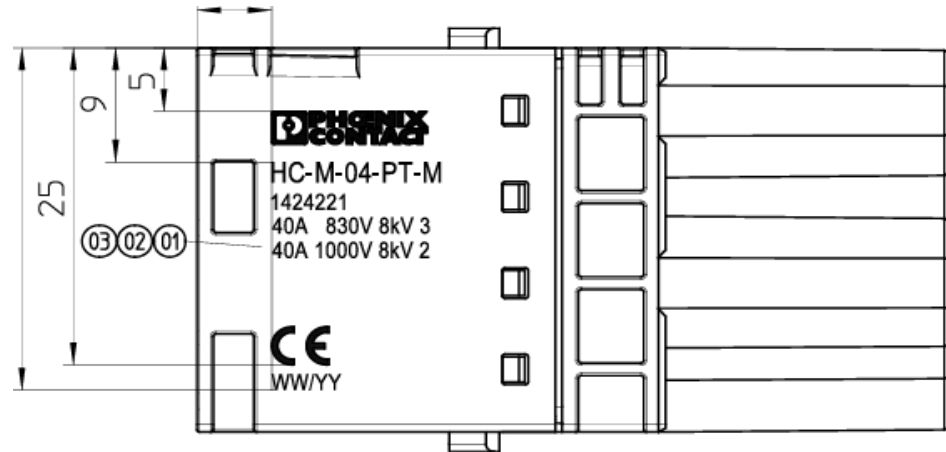
V/C 1 (new)



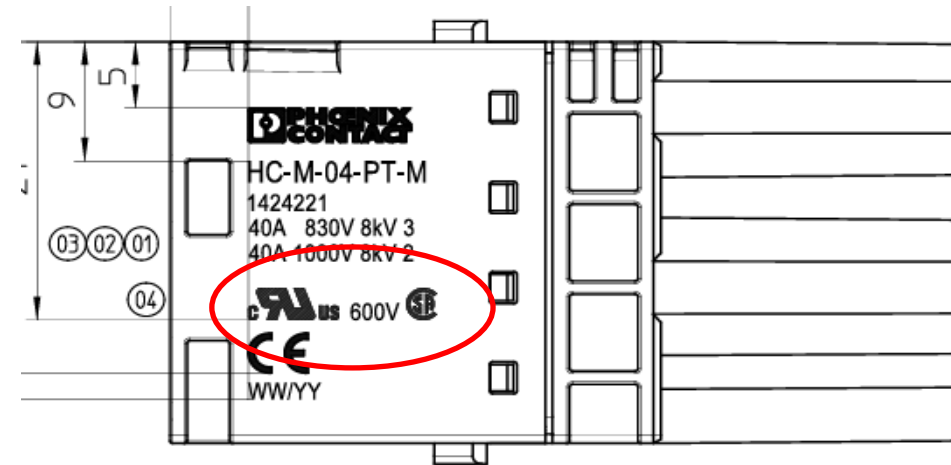
CAF250106

# Visual Changes: 1424221

V/C 0 (current)



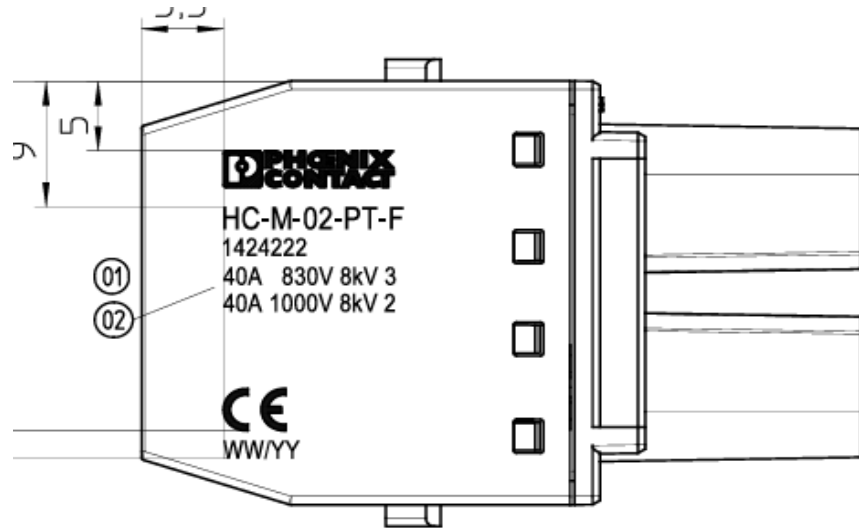
V/C 1 (new)



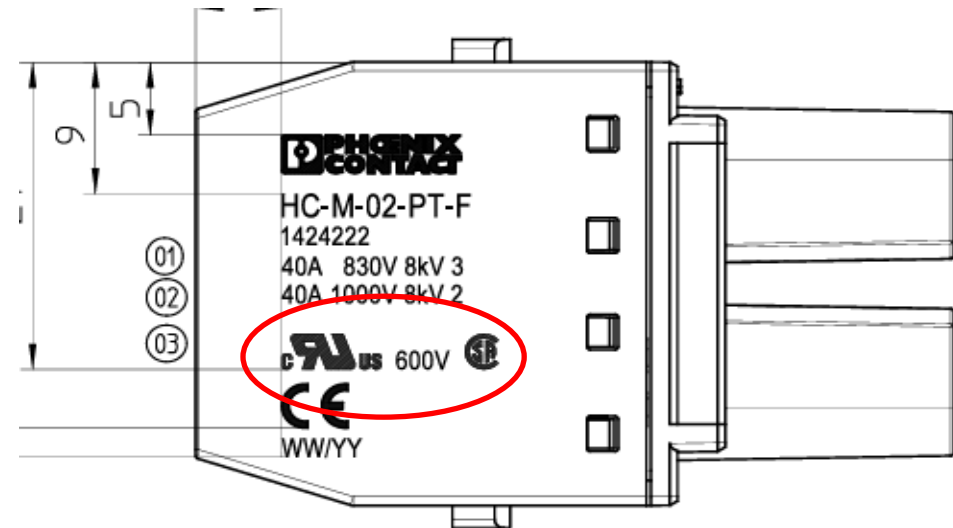
CAF250106

# Visual Changes: 1424222

V/C 0 (current)



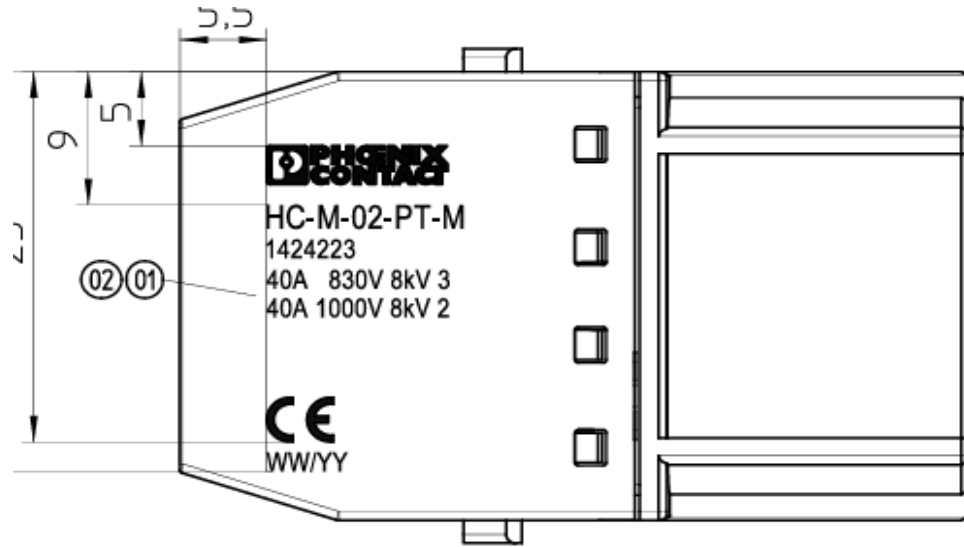
V/C 1 (new)



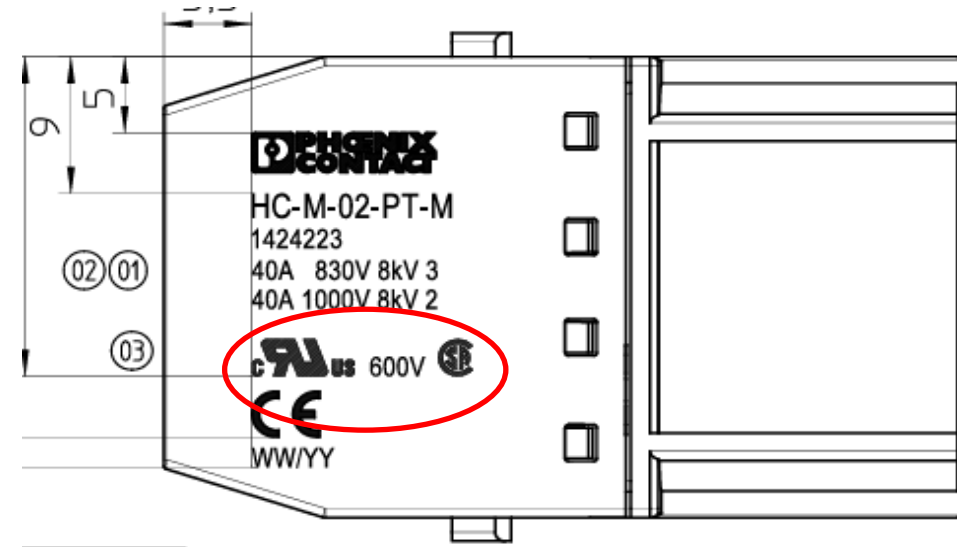
CAF250106

# Visual Changes: 1424223

V/C 0 (current)



V/C 1 (new)



# Article list

Article	Description	Old rev.	New rev.
1031080	HC-HS-06-I-PT-F	0	1
1031082	HC-HS-06-I-PT-M	0	1
1424218	HC-M-03-PT-F	0	1
1424219	HC-M-03-PT-M	0	1
1424220	HC-M-04-PT-F	0	1
1424221	HC-M-04-PT-M	0	1
1424222	HC-M-02-PT-F	0	1
1424223	HC-M-02-PT-M	0	1

Item no.;Type;old;new;Substitute item;Replacement product designation;eCl@ss 13.0;  
1031080;HC-HS-06-I-PT-F;0;1;;;27440205;  
1031082;HC-HS-06-I-PT-M;0;1;;;27440205;  
1424218;HC-M-03-PT-F;0;1;;;27440217;  
1424219;HC-M-03-PT-M;0;1;;;27440217;  
1424220;HC-M-04-PT-F;0;1;;;27440217;  
1424221;HC-M-04-PT-M;0;1;;;27440217;  
1424222;HC-M-02-PT-F;0;1;;;27440217;  
1424223;HC-M-02-PT-M;0;1;;;27440217;

<b>PCN/PDN Number</b>	<b>Customer Number</b>	<b>Company Name</b>	<b>Street</b>
CAF250106	401641	TTI, INC.	2441 NORTHEAST PKWY
CAF250106	401641	TTI, INC.	2441 NORTHEAST PKWY
CAF250106	401641	TTI, INC.	2441 NORTHEAST PKWY
CAF250106	401641	TTI, INC.	2441 NORTHEAST PKWY

<b>Postcode/Zip Code</b>	<b>City</b>	<b>Phoenix Contact Item-Nr. (changed/discontinued article)</b>
76106	FORT WORTH	1424218
76106	FORT WORTH	1424221
76106	FORT WORTH	1424220
76106	FORT WORTH	1424219

**Phoenix Contact Item Designation (changed/discontinued article)**

HC-M-03-PT-F  
HC-M-04-PT-M  
HC-M-04-PT-F  
HC-M-03-PT-M

**Report Date    Substitute Item**

28.04.2026  
28.04.2026  
28.04.2026  
28.04.2026

**Replacement Product Designation**