

Product change notification (PCN)

Title / short description	Approval and printing change on HC-M-02-AT
Affected article category	Connector
Change category	Form and appearance, Approval
Change number	CAF250032-00
Reason for PCN/PDN Revision	

Purpose/objective of the change

As part of the continuous improvement process, the UL and CSA certifications are being extended. The product markings and label will be updated accordingly

Detailed description of the change

As part of our continuous commitment to quality and regulatory compliance, the affected products have received enhanced UL and CSA certifications. To reflect these upgraded approvals, the product markings will be updated accordingly. The improved certifications and updated markings offer the following advantages:

Expanded acceptance in global markets through strengthened UL/CSA compliance.

Simplified product integration for end users and system certifiers due to updated labeling transparency.

Identifying characteristics

The changes to the printing are listed in the attached PDF file.

Start of Production (SOP)	-	Last Time Delivery (LTD)	-
Effective date (EOP)	2026-07-06	End of Service (EOSR)	-
End of Sales (EOS)	-		

Short-term change (< 6 months) or discontinuation (< 12 months), due to:

- | | | |
|---|--|--|
| <input type="checkbox"/> Software / Firmware Bugfix | <input type="checkbox"/> Short-term delivery stop by supplier | <input type="checkbox"/> Short-term recall by supplier |
| <input type="checkbox"/> Force majeure | <input checked="" type="checkbox"/> Product improvement with customer benefits | |
| <input type="checkbox"/> Others | | |

Attachments

- CAF250032.pdf
- Material_list.csv
- PCN-CAF250032-00_EN

Material list

Item no.	Item Type	Hardware old	Firmware new	Item no.	Substitute item Type
1417390	HC-M-02-AT-F-35	04	05		
1417392	HC-M-02-AT-M-35	04	05		

Empowering the All Electric Society 



Welcome

CAF250032



CAF250032

Agenda

- > Change Description
- > Visual Changes
- > Article list

CAF250032

Change Description

We would like to inform you about an upcoming product improvement concerning the items listed in this notification. As part of our continuous commitment to quality and regulatory compliance, the affected products have received enhanced UL and CSA certifications. To reflect these upgraded approvals, the product markings will be updated accordingly. The improved certifications and updated markings offer the following advantages:

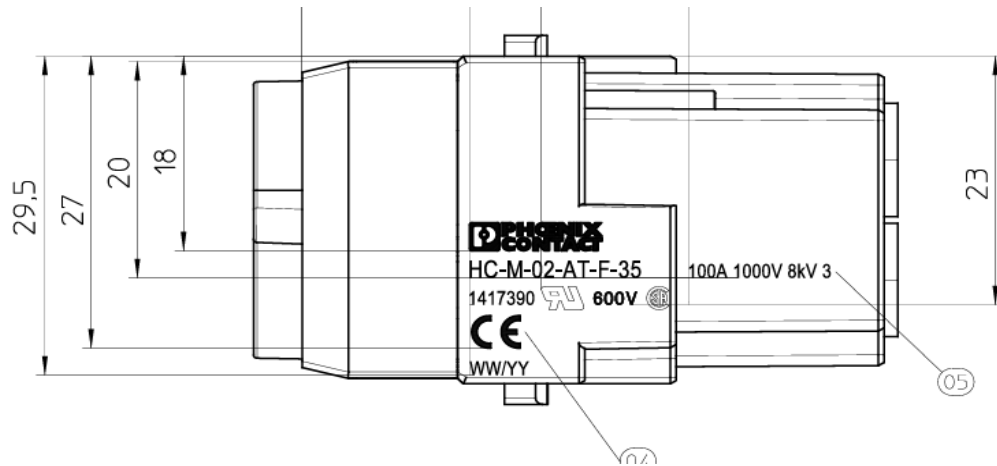
- Expanded acceptance in global markets through strengthened UL/CSA compliance.
- Simplified product integration for end users and system certifiers due to updated labeling transparency.

These updates affect only the markings on the product surface. The product design, functionality, materials, and performance characteristics remain unchanged.

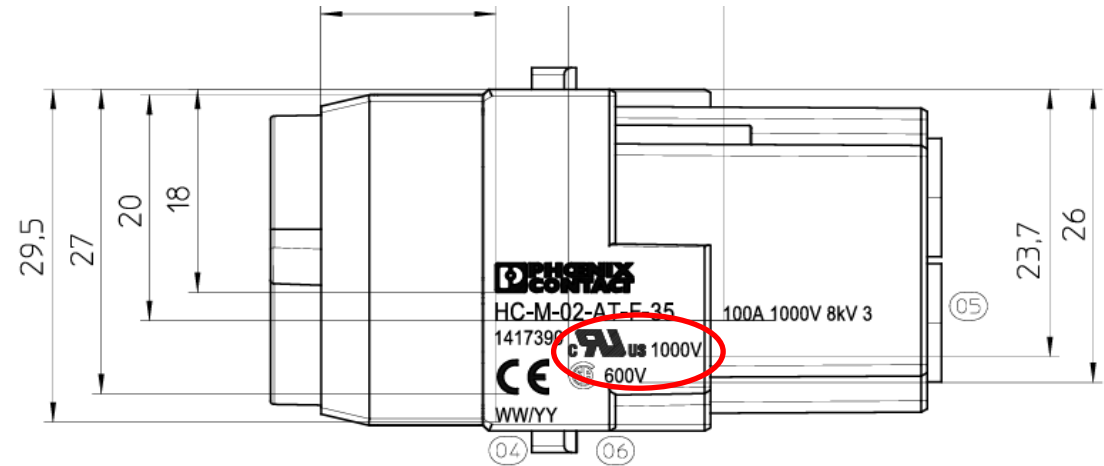
CAF250032

Visual Changes: 1417390

V/C 04 (current)



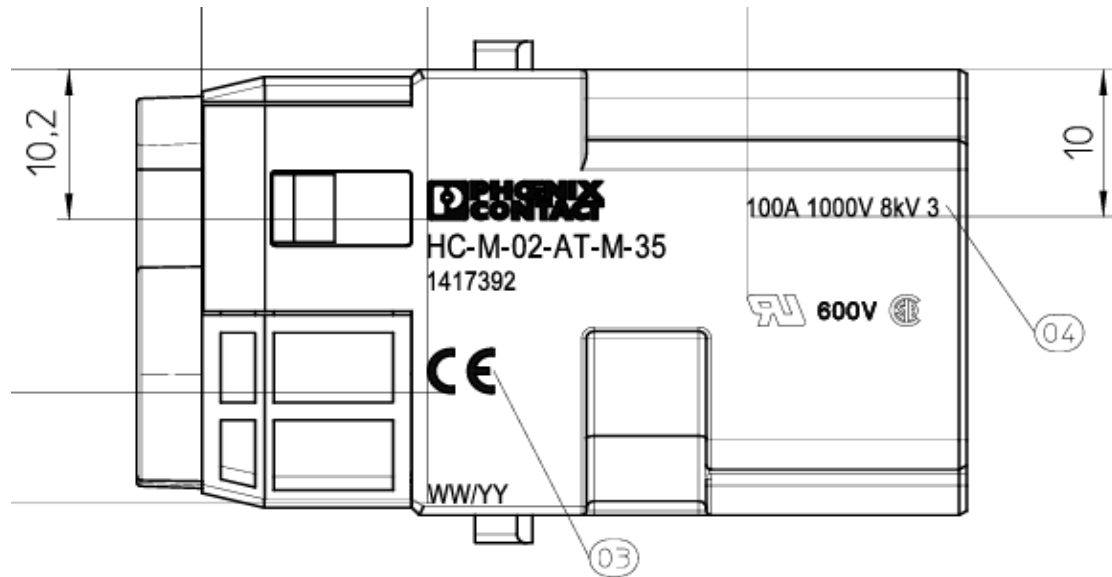
V/C 05 (new)



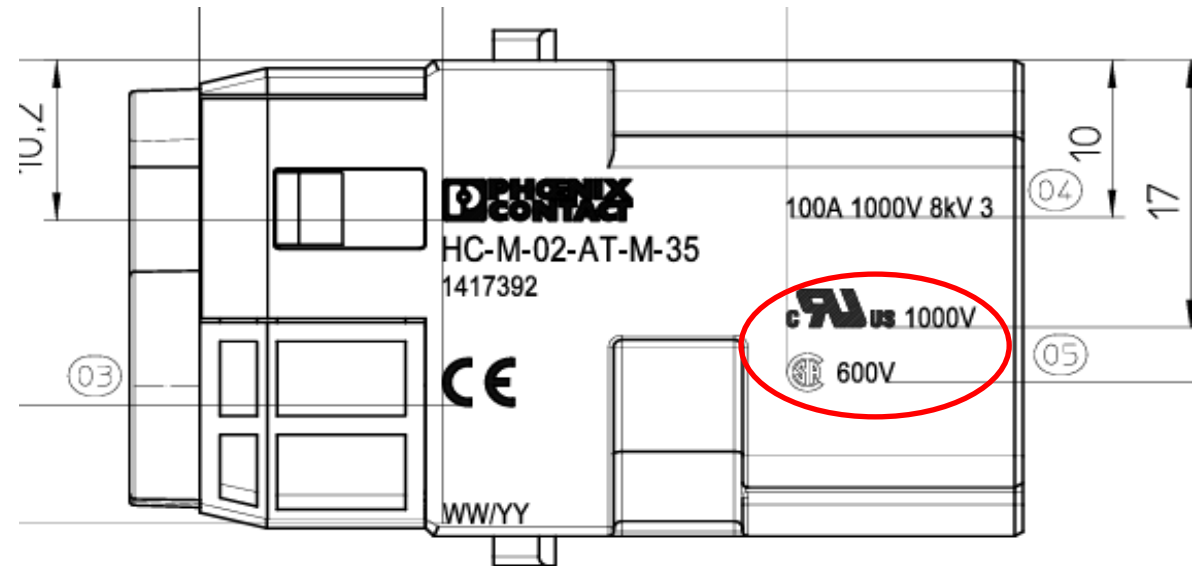
CAF250032

Visual Changes: 1417392

V/C 04 (current)



V/C 05 (new)



CAF250032

Article list

Article	Description	Old rev.	New rev.
1417390	HC-M-02-AT-F-35	04	05
1417392	HC-M-02-AT-M-35	04	05

Item no.;Type;old;new;Substitute item;Replacement product designation;eCl@ss 13.0;
1417390;HC-M-02-AT-F-35;04;05;;;27440217;
1417392;HC-M-02-AT-M-35;04;05;;;27440217;

PCN/PDN Number	Customer Number	Company Name	Street
CAF250032	401641	TTI, INC.	2441 NORTHEAST PKWY

Postcode/Zip Code	City	Phoenix Contact Item-Nr. (changed/discontinued article)
76106	FORT WORTH	1417390

Phoenix Contact Item Designation (changed/discontinued article)
HC-M-02-AT-F-35

Report Date **Substitute Item**
28.04.2026

Replacement Product Designation