

Product change notification (PCN)

Title / short description PP-H 2,5 - Additional tool & change of the marking area
Affected article category Terminal blocks
Change category Material, Form and appearance
Change number PBE240130-00
Reason for PCN/PDN Revision

Purpose/objective of the change

To ensure the availability of the articles, new tools are being built. At the same time, the design of the items is being optimized.

Detailed description of the change

Slight changes in the article and in the description field of the article

Identifying characteristics

No impact to the functionality of the articles, all plugs are backward compatible

Start of Production (SOP)	-	Last Time Delivery (LTD)	-
Effective date (EOP)	2027-01-15	End of Service (EOSR)	-
End of Sales (EOS)	-		

Short-term change (< 6 months) or discontinuation (< 12 months), due to:

- | | | |
|---|---|--|
| <input type="checkbox"/> Software / Firmware Bugfix | <input type="checkbox"/> Short-term delivery stop by supplier | <input type="checkbox"/> Short-term recall by supplier |
| <input type="checkbox"/> Force majeure | <input type="checkbox"/> Product improvement with customer benefits | |
| <input type="checkbox"/> Others | | |

Attachments

- PBE240130 PP-H 2,5_Replacement tool_change of the marking area.pdf
- Material_list.csv
- PCN-PBE240130-00_EN

Material list

Item no.	Item Type	Hardware old	Firmware new	Item no.	Substitute item Type
1035931	PP-H 2,5/5 (1GNYE/4GY)	01	02		
1035933	PP-H 2,5/11 (1GNYE/10GY)	01	02		
3061884	PP-H 2,5/20	03	04		
3061897	PP-H 2,5/24	03	04		
3209866	PP-H 2,5/ 1	04	05		
3209879	PP-H 2,5/ 2	04	05		
3209882	PP-H 2,5/ 3	04	05		
3209883	PP-H 2,5/ 3 (1GNYE/2GY)	03	04		
3209895	PP-H 2,5/ 4	04	05		
3209896	PP-H 2,5/ 4 (1GNYE/3GY)	03	04		
3209905	PP-H 2,5/ 5	04	05		
3209918	PP-H 2,5/ 6	04	05		
3209921	PP-H 2,5/ 7	04	05		
3209934	PP-H 2,5/ 8	04	05		
3209947	PP-H 2,5/ 9	04	05		
3209950	PP-H 2,5/10	04	05		
3209963	PP-H 2,5/11	04	05		
3209976	PP-H 2,5/12	04	05		
3209989	PP-H 2,5/13	04	05		
3209992	PP-H 2,5/14	04	05		
3210004	PP-H 2,5/15	04	05		
3210017	PP-H 2,5/ 1 BU	04	05		
3210020	PP-H 2,5/ 1 GNYE	04	05		
3210062	PP-H 2,5/1-L	05	06		
3210075	PP-H 2,5/1-L BU	05	06		
3210088	PP-H 2,5/1-L GNYE	05	06		
3210091	PP-H 2,5/1-M	05	06		
3210101	PP-H 2,5/1-M BU	05	06		
3210114	PP-H 2,5/1-M GNYE	05	06		
3210127	PP-H 2,5/1-R	05	06		
3210130	PP-H 2,5/1-R BU	05	06		
3210143	PP-H 2,5/1-R GNYE	05	06		

Item no.;Type;old;new;Substitute item;Replacement product designation;eCl@ss 13.0;

1035931;PP-H 2

1035933;PP-H 2

3061884;PP-H 2

3061897;PP-H 2

3209866;PP-H 2

3209879;PP-H 2

3209882;PP-H 2

3209883;PP-H 2

3209895;PP-H 2

3209896;PP-H 2

3209905;PP-H 2

3209918;PP-H 2

3209921;PP-H 2

3209934;PP-H 2

3209947;PP-H 2

3209950;PP-H 2

3209963;PP-H 2

3209976;PP-H 2

3209989;PP-H 2

3209992;PP-H 2

3210004;PP-H 2

3210017;PP-H 2

3210020;PP-H 2

3210062;PP-H 2

3210075;PP-H 2

3210088;PP-H 2

3210091;PP-H 2

3210101;PP-H 2

3210114;PP-H 2

3210127;PP-H 2

3210130;PP-H 2

3210143;PP-H 2

5/5 (1GNYE/4GY);01;02;;;27250306;
5/11 (1GNYE/10GY);01;02;;;27250306;
5/20;03;04;;;27250306;
5/24;03;04;;;27250306;
5/ 1;04;05;;;27250306;
5/ 2;04;05;;;27250306;
5/ 3;04;05;;;27250306;
5/ 3 (1GNYE/2GY);03;04;;;27250306;
5/ 4;04;05;;;27250306;
5/ 4 (1GNYE/3GY);03;04;;;27250306;
5/ 5;04;05;;;27250306;
5/ 6;04;05;;;27250306;
5/ 7;04;05;;;27250306;
5/ 8;04;05;;;27250306;
5/ 9;04;05;;;27250306;
5/10;04;05;;;27250306;
5/11;04;05;;;27250306;
5/12;04;05;;;27250306;
5/13;04;05;;;27250306;
5/14;04;05;;;27250306;
5/15;04;05;;;27250306;
5/ 1 BU;04;05;;;27250306;
5/ 1 GNYE;04;05;;;27250306;
5/1-L;05;06;;;27250306;
5/1-L BU;05;06;;;27250306;
5/1-L GNYE;05;06;;;27250306;
5/1-M;05;06;;;27250306;
5/1-M BU;05;06;;;27250306;
5/1-M GNYE;05;06;;;27250306;
5/1-R;05;06;;;27250306;
5/1-R BU;05;06;;;27250306;
5/1-R GNYE;05;06;;;27250306;



Welcome

**PCN Attachment
PBE240130
PP-H 2,5 - Additional
tool & change of the
marking area**



PP-H 2,5 - Additional tool & change of the marking area

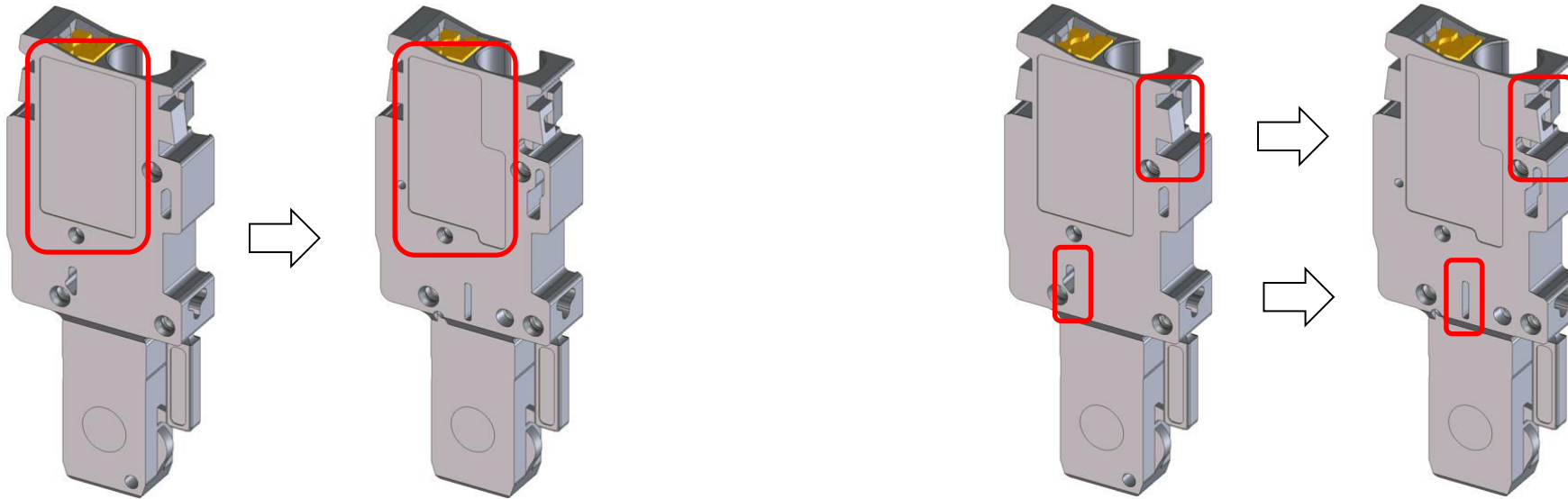
Agenda

- > Background
- > Old & New
- > Article list & Version code
- > Schedule

Background

Additional production tool & slight changes in the marking area

In order to meet the increased market demand for the PP-H 2.5 COMBI plug, new tools are being built for the products. This also involves making sensible changes to the product that improve functionality and/or production capability. In this case, the marking area is slightly changed and 2 visible contour changes will be implemented. The changes have no influence on the functionality, on the technical specification and the articles are backward compatible and can be combined with former versions.



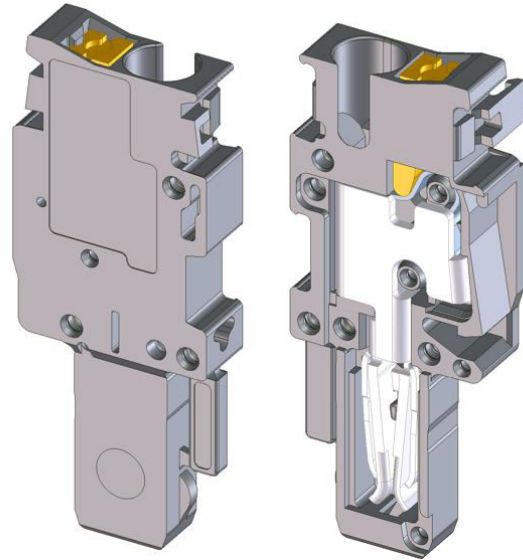
PP-H 2,5 - Additional tool & change of the marking area

Old & New – Changes in detail

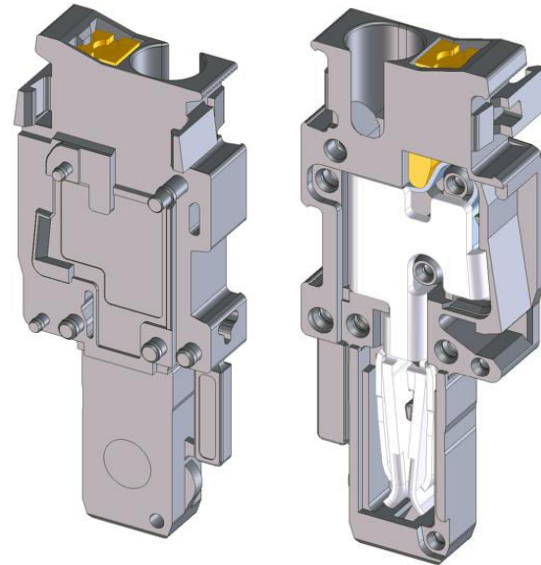
PP-H 2,5/1-L and similar old



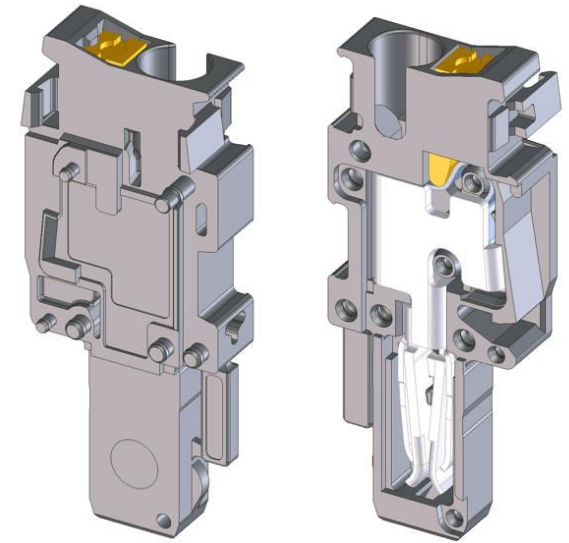
PP-H 2,5/1-L and similar new



PP-H 2,5/1-M and similar old



PP-H 2,5/1-M and similar new



PP-H 2,5 - Additional tool & change of the marking area

Article list & Version code

Mat. No	Type	Version code old	Version code new
1035931	PP-H 2,5/5 (1GNYE/4GY)	01	02
1035933	PP-H 2,5/11 (1GNYE/10GY)	01	02
3061884	PP-H 2,5/20	03	04
3061897	PP-H 2,5/24	03	04
3209866	PP-H 2,5/ 1	04	05
3209879	PP-H 2,5/ 2	04	05
3209882	PP-H 2,5/ 3	04	05
3209883	PP-H 2,5/ 3 (1GNYE/2GY)	03	04
3209895	PP-H 2,5/ 4	04	05
3209896	PP-H 2,5/ 4 (1GNYE/3GY)	03	04
3209905	PP-H 2,5/ 5	04	05
3209918	PP-H 2,5/ 6	04	05
3209921	PP-H 2,5/ 7	04	05
3209934	PP-H 2,5/ 8	04	05
3209947	PP-H 2,5/ 9	04	05

PP-H 2,5 - Additional tool & change of the marking area

Article list & Version code

Mat. No	Type	Version code old	Version code new
3209950	PP-H 2,5/10	04	05
3209963	PP-H 2,5/11	04	05
3209976	PP-H 2,5/12	04	05
3209989	PP-H 2,5/13	04	05
3209992	PP-H 2,5/14	04	05
3210004	PP-H 2,5/15	04	05
3210017	PP-H 2,5/ 1 BU	04	05
3210020	PP-H 2,5/ 1 GNYE	04	05
3210062	PP-H 2,5/1-L	05	06
3210075	PP-H 2,5/1-L BU	05	06
3210088	PP-H 2,5/1-L GNYE	05	06
3210091	PP-H 2,5/1-M	05	06
3210101	PP-H 2,5/1-M BU	05	06
3210114	PP-H 2,5/1-M GNYE	05	06
3210127	PP-H 2,5/1-R	05	06

PP-H 2,5 - Additional tool & change of the marking area

Article list & Version code

Mat. No	Type	Version code old	Version code new
3210130	PP-H 2,5/1-R BU	05	06
3210143	PP-H 2,5/1-R GNYE	05	06

PP-H 2,5 - Additional tool & change of the marking area

Schedule

EOP:

The effective date for the changes will be the

15.01.2027

At this time, we will switch production to the new version code. A packing unit will only contain products from one version code, but deliveries containing several packing units **may contain** packing units with different version codes!

Project Complete data

The data base of the project complete software will be updated with the Spring 2027 release.

ClipX Engineer data

The data base for the ClipX Engineer will be update immediately with the EOP date(approx. 2 days later)

All contents in this presentation, in particular texts, photographs and graphics, are protected by copyright and all strategies, models, concepts and conclusions contained in this presentation are also the intellectual property of Phoenix Contact, unless otherwise indicated, for example by references. All information contained in this presentation is to be treated as confidential. It is prohibited to copy, modify, reproduce, publish, distribute or make this presentation available to third parties in any other way, either in whole or in part, without the prior written permission of Phoenix Contact.

PCN/PDN	Nur	Customer Nur	Company Nar	Street	Postcode/Zip	City	Phoenix Cont:
PBE240130	401641		TTI, INC.	2441 NORTHE	76106	FORT WORTH	3210062
PBE240130	401641		TTI, INC.	2441 NORTHE	76106	FORT WORTH	3210114
PBE240130	401641		TTI, INC.	2441 NORTHE	76106	FORT WORTH	3210091
PBE240130	401641		TTI, INC.	2441 NORTHE	76106	FORT WORTH	3210127

Phoenix Cont:	Quantity Sale	Quantity Sale	Quantity Sale	Quantity Ord	Report Date	Substitute Ite
PP-H 2,5/1-L	400	0	0	0	08.06.2026	
PP-H 2,5/1-M	1500	500	0	0	08.06.2026	
PP-H 2,5/1-M	2400	500	500	500	08.06.2026	
PP-H 2,5/1-R	350	0	350	350	08.06.2026	

Replacement Product Designation