

Product change notification (PCN)

Title / short description	Dimensional adjustments to SACC M8 SH angled variants with solder connection for better installation
Affected article category	Sensor/actuator cabling
Change category	Form and appearance
Change number	CAF260033-00
Reason for PCN/PDN Revision	

Purpose/objective of the change

As part of our ongoing product improvement and tooling upgrade, we are making dimensional adjustments to our shielded M8 right-angle connectors with solder connection

Detailed description of the change

The dimensional adjustments to the shielded M8 angled connectors allows an easier assembly. The connector now features a 100° angle instead of a 90° angle, making installation (cable insertion) more convenient. The dimensional adjustments are minimal, so the main dimensions remain virtually unchanged. The visual difference is shown in the following images and drawings. It affects optical fit and form. These adjustments will not affect your application in other ways and you can continue to use the new connectors without any changes.

Also assembly steps are still the same and the change does not influence existing approvals (RoHS, UL, ...).

For the affected articles the V/C production batch will be increased.

Identifying characteristics

Increase of the production batch (V/C)

Start of Production (SOP)	-	Last Time Delivery (LTD)	-
Effective date (EOP)	2026-04-30	End of Service (EOSR)	-
End of Sales (EOS)	-		

Short-term change (< 6 months) or discontinuation (< 12 months), due to:

- | | | |
|---|--|--|
| <input type="checkbox"/> Software / Firmware Bugfix | <input type="checkbox"/> Short-term delivery stop by supplier | <input type="checkbox"/> Short-term recall by supplier |
| <input type="checkbox"/> Force majeure | <input checked="" type="checkbox"/> Product improvement with customer benefits | |
| <input type="checkbox"/> Others | | |

Attachments

- CAF260033_ SACC M8 SH angled.pdf
- Material_list.csv
- PCN-CAF260033-00_EN

Material list

Item no.	Item Type	Hardware old	Firmware new	Item no.	Substitute item Type
1436482	SACC-M 8FR-4CON-SH	00	01		
1436479	SACC-M 8FR-3CON-SH	00	01		
1436453	SACC-M 8MR-3CON-SH	01	02		
1436466	SACC-M 8MR-4CON-SH	01	02		

Product change notification – CAF260033_ SACC M8 SH angled (solder connection) – dimensional adjustments

SACC M8 SH angled with solder connection



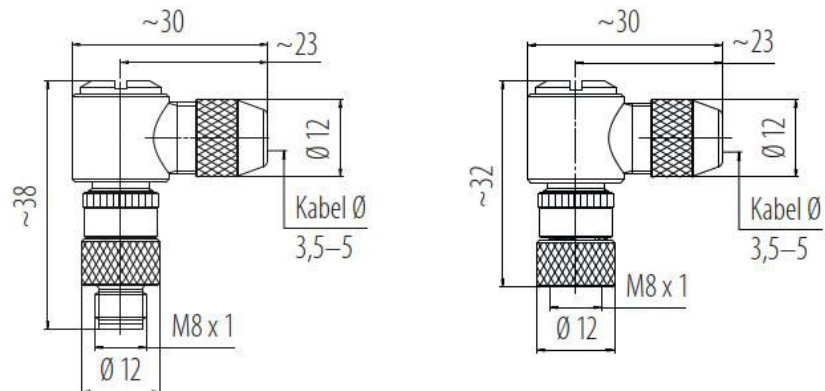
Product change notification – CAF260033_ SACC M8 SH angled (solder connection) – dimensional adjustments

General Information

- As part of our ongoing product improvement and tooling upgrade, we are making dimensional adjustments to our shielded M8 right-angle connectors with solder connection
- These changes improve quality and leads to easier assembly due to better design
- The connector now features a 100° angle instead of a 90° angle, making installation (cable insertion) more convenient
- This change affects optical fit and form because of dimensional change
- These adjustments will not affect your application in other ways and you can continue to use the new connectors without any changes
- Also assembly steps are still the same and the change does not influence existing approvals (RoHS, UL)
- V/C production batch on bag is increased (see article list)

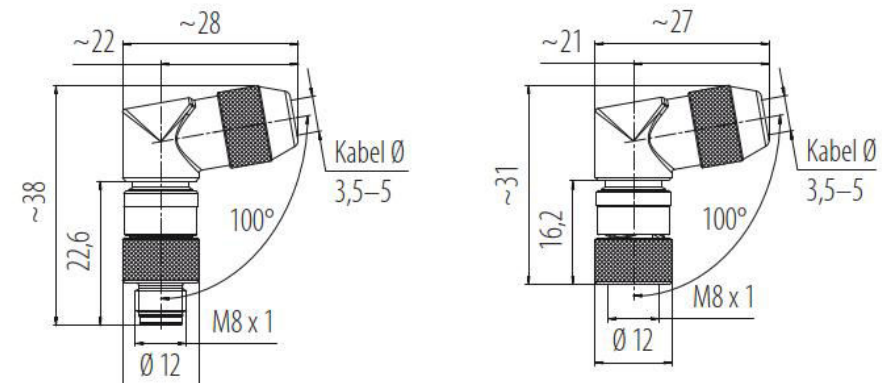
Dimensional adjustments

Old:



New:

- Changed **optical design** (fit & form)
- **easier installation / assembly**
- **Angle now 100°** instead of 90°
- **Connector length** at cable output side is now a little **bit shorter** (male: - 2mm , female: - 3mm)



Item no.;Type;old;new;Substitute item;Replacement product designation;eCl@ss 13.0;

1436482;SACC-M 8FR-4CON-SH;00;01;;;27440116;

1436479;SACC-M 8FR-3CON-SH;00;01;;;27440116;

1436453;SACC-M 8MR-3CON-SH;01;02;;;27440116;

1436466;SACC-M 8MR-4CON-SH;01;02;;;27440116;

PCN/PDN Number	Customer Number	Company Name	Street	Postcode/Zip Code
CAF260033	401641	TTI, INC.	2441 NORTHEAST PKWY	76106

City	Phoenix Contact Item-Nr. (changed/discontinued article)
FORT WORTH	1436482

Phoenix Contact Item Designation (changed/discontinued article)
SACC-M 8FR-4CON-SH

Report Date Substitute Item
13.04.2026

Replacement Product Designation