



Product Change Notification

Date Issued :	April 16, 2026	PCN Number :	518005
Reason for Change :	Manufacturing Process Change (Molex)		
Description of Change :	Previously, the grommet was modified in the plant. Due to safety restrictions, a standard grommet will now be used.		
Assessment of Change :	First Article Inspection		
Planned Implementation Date :	October 30, 2026		
Customer Sample Availability Date:	May 30, 2026		
Last date to request Samples by Customer :	May 15, 2026		
Please note if Samples are not requested as per Customer Samples Request date, it may take additional 4-6 weeks to arrange Samples.			
Traceability Code Markings/ Date :	No special marking on the product or packaging		

Before Picture

- Before: short rubber bushing

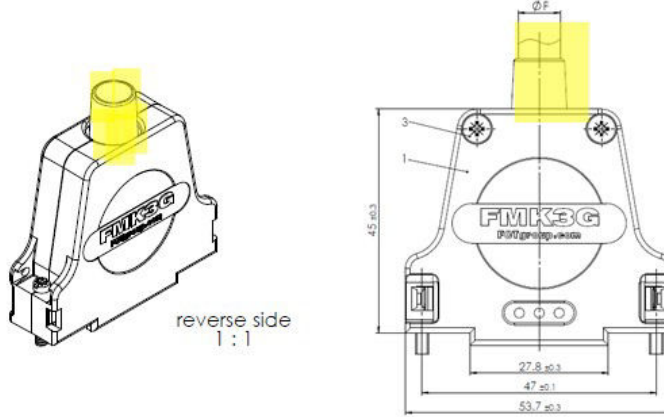


Photo is used as representation of product only and may not be exact to product you receive.

2156740051 Revision A



1 Molex Confidential Information
© 2016 Molex – All Rights Reserved. Unauthorized Reproduction/Distribution is Prohibited.

After Picture

Overview

- We have been using the rubber bushing strain relief grommet which was shortened in the plant. Since the tool has been locked for safety reasons, this can no longer be carried out. Therefore, a standard grommet will be delivered/installed.

- This change impact in fit and form and no impact on function.

- Part Number Impact
 - See attached impacted parts list

Note: The implementation of this PCN may be proceeded earlier than planned, depending on customer approvals

2156740051 Revision A

2

Molex Confidential Information
© 2016 Molex – All Rights Reserved. Unauthorized Reproduction/Distribution is Prohibited.

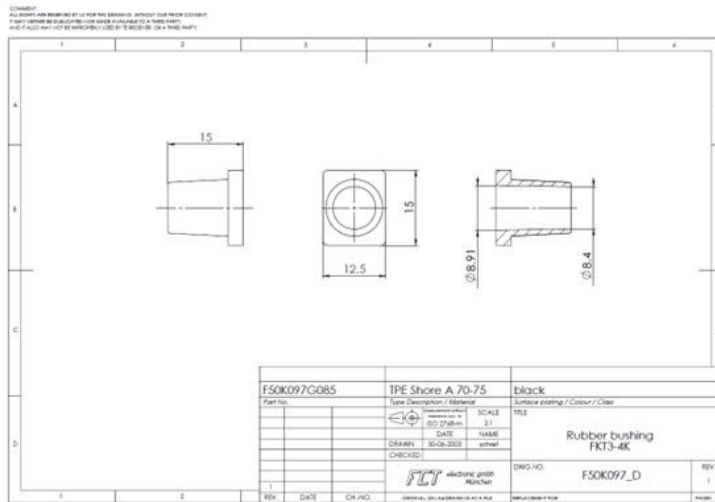
molex

RELEASED

Additional Information :

Additional information

▪ Before change - Data Sheet



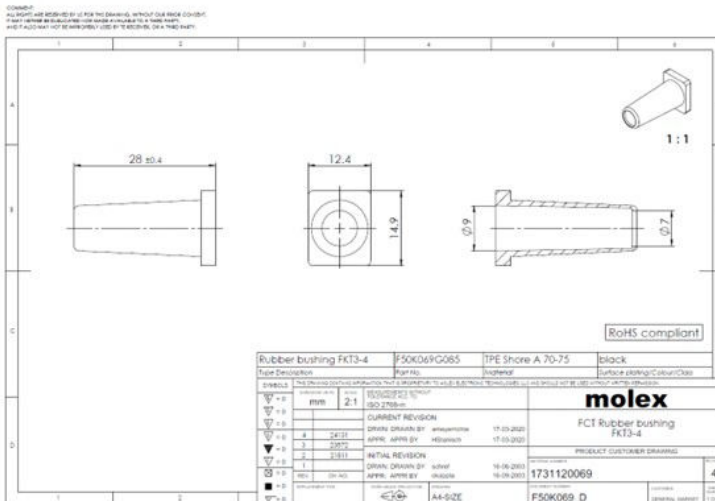
2156740051 Revision A



Molex Confidential Information
© 2016 Molex – All Rights Reserved. Unauthorized Reproduction/Distribution is Prohibited.

Additional information

▪ After change – Data sheet



2156740051 Revision A



Molex Confidential Information
© 2016 Molex – All Rights Reserved. Unauthorized Reproduction/Distribution is Prohibited.

You may address inquires regarding this PCN by clicking on the below link
mailto:pcn_coordinator@molex.com?subject=PCN_Notification:518005
or contact your Local Sales Engineer.

Note: While responding, please retain " PCN Notification : **PCN Notification: 518005** " in the e-mail Subject line for faster response.

Molex, LLC
2222 Wellington Court
Lisle, IL 60532
TEL (800) 786-6539
www.molex.com

PCN #	Customer #	Customer Name	Search Term	Molex Part #	Customer Material #
518005	103679	TTI, Inc.	TTI INC	1731110729	MLX173111-0729

City	State	Country	Sales Engineer Name
Maisach-Gernlinden	09	DE	Carlos ARINO

Sales Engineer email	Opportunity #	Opportunity Item Lost Indicator
----------------------	---------------	---------------------------------

CARLOS.ARINOMORENO@MOLEX.COM

PCN No	Part List
--------	-----------

518005 1731110729