



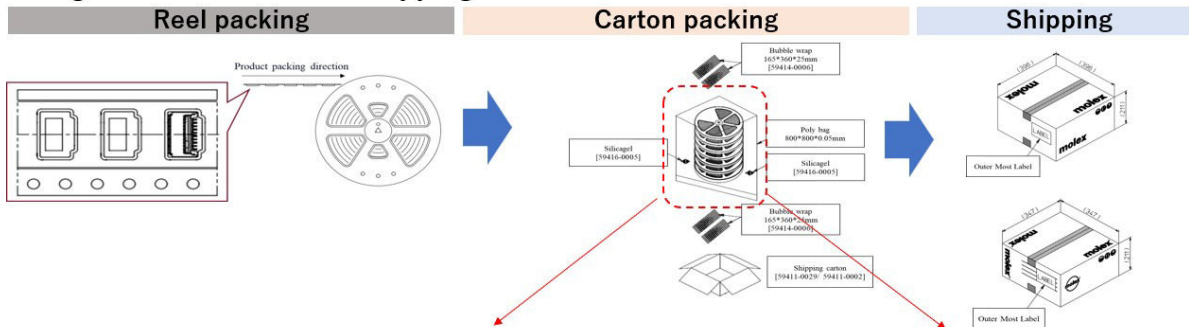
Product Change Notification

Date Issued :	April 16, 2026	PCN Number :	517930
Reason for Change :	Packaging Method/Quantity Changing		
Description of Change :	This is announcement to change numbers of reel in the shipping carton box, that leads the total connector also will be changed in deliverables unit.		
Reason for Short Notice :	Special Request		
Assessment of Change :	Drop Test		
Planned Implementation Date :	August 16, 2026		
Customer Sample Availability Date:	February 26, 2026		
Last date to request Samples by Customer :	April 24, 2026		

Please note if Samples are not requested as per Customer Samples Request date, it may take additional 4-6 weeks to arrange Samples.

Before Picture

Change number of reels in shipping carton box



Molex part number	Current			After change		
	FGs/ reel	Reels/ box	Total FG/ box (pcs)	FGs/ reel	Reels/ box	Total FG/ box (pcs)
503480-04**	3,000	7	21,000	3,000	8	24,000
503480-05**						
503480-06**						
503480-08**						
503480-10**						
503480-12**	4,500	4	18,000	4,500	3	13,500
503480-36**						
503480-38**						
503480-40**						

After Picture

- Overview :
After transferring 503480 series production to Molex Vietnam, we optimize the use of available packaging materials. Therefore, the reel quantity per carton will be adjusted to match the existing carton sizes in Vietnam.
- Part number impacted :
See the attached list.
- Qualification report and samples :
Available as per execution plan

RELEASED

You may address inquiries regarding this PCN by clicking on the below link
mailto:pcn_coordinator@molex.com?subject=PCN_Notification:517930
or contact your Local Sales Engineer.

Note: While responding, please retain " PCN Notification : **PCN Notification: 517930** " in the e-mail Subject line for faster response.

Molex, LLC
2222 Wellington Court
Lisle, IL 60532
TEL (800) 786-6539
www.molex.com

PCN #	Customer #	Customer Name	Search Term	Molex Part #	Customer Material #
517930	125345	TTI Electronics Asia Pte Ltd	TTI	5034801000	MOL503480-1000
517930	125345	TTI Electronics Asia Pte Ltd	TTI	5034801200	MOL503480-1200

City	State	Country	Sales Engineer Name	Sales Engineer email	Opportunity #
Singapore	SG	SG	Wei An Chia	WEIAN.CHIA@MOLEX.COM	
Singapore	SG	SG	Wei An Chia	WEIAN.CHIA@MOLEX.COM	

Opportunity Item Lost Indicator

PCN No	Part List
517930	0165880001
517930	0165880002
517930	0165880003
517930	0165880005
517930	0165880011
517930	0165880012
517930	5034800600
517930	5034800800
517930	5034801000
517930	5034801200
517930	5034803600
517930	5034804000

molex *creating connections for life*

Change packing reel/ box Item 503480

```
se, message: 'Could not register user, username or email might
se, message: 'Could not register user, Error: ', err )));

grid.SendgridAPIKey);
ailtemplate.html", 'utf8', (err, data) => {
)}{
ss: true, message:"Failed"))
false, message: 'Failed to read email file: ', err )));

#Title###", "Confirm Account");
#Message###", "Please click the button below to confirm your
#Link###", host.baseUrl + "api/accounts/confirmemail.html"

toLowerCase(),
ic.co.za',
onfirmation',

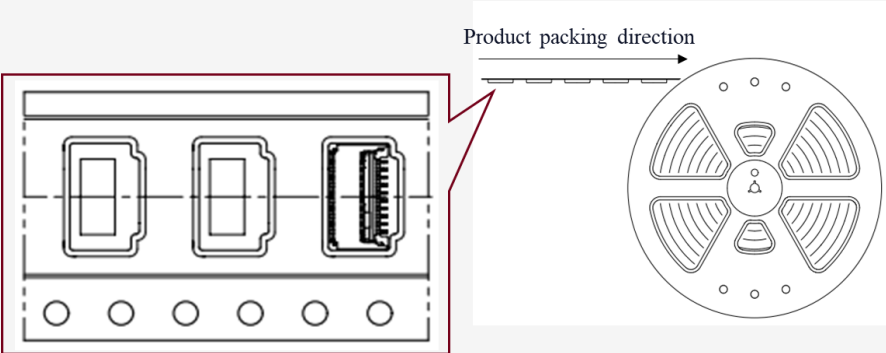
xt/html",
ta.toString()
```

Background

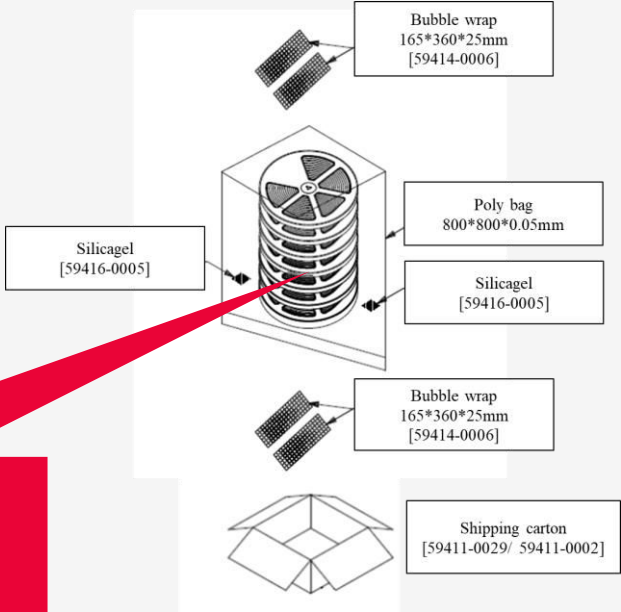
Item 503480 - The product was previously manufactured and packed in Molex Korea according to local carton specifications. After transferring production to Molex Vietnam, we optimize the use of available packaging materials.

Therefore, the reel quantity per carton will be adjusted to match carton sizes in Vietnam.

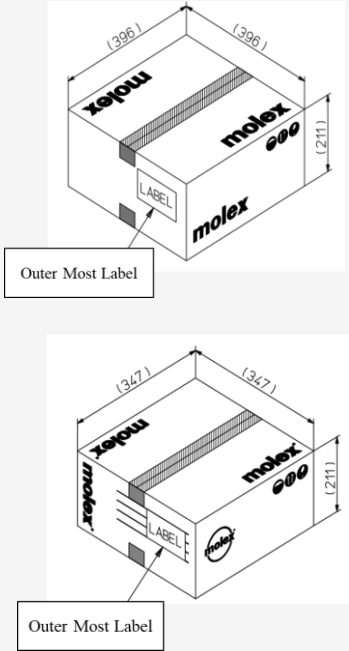
Reel packing



Carton packing



Shipping



Changing point: Change packing reel/box

Proposed solution

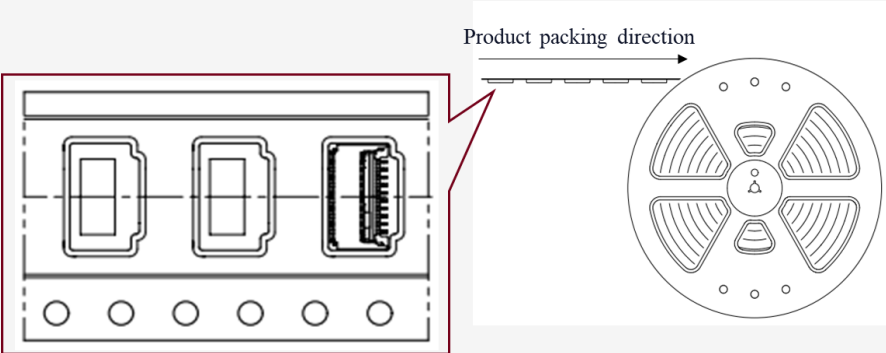
CKT	Part number	TO BE			AS IS		
		FGs/ reel	Reels/ box	Total FG/ box (pcs)	FGs/ reel	Reels/ box	Total FG/ box (pcs)
04	503480-04**	3,000	7	21,000	3,000	8	24,000
05	503480-05**						
06	503480-06**						
08	503480-08**						
10	503480-10**						
12	503480-12**						
14	503480-14**	3,000	6	18,000	3,000	6	18,000
16	503480-16**						
17	503480-17**						
18	503480-18**						
20	503480-20**						
22	503480-22**						
24	503480-24**						
26	503480-26**						
28	503480-28**						
30	503480-30**						
32	503480-32**	3,000	5	15,000	3,000	5	15,000
34	503480-34**						
36	503480-36**	4,500	4	18,000	4,500	3	13,500
38	503480-38**						
40	503480-40**						

Background

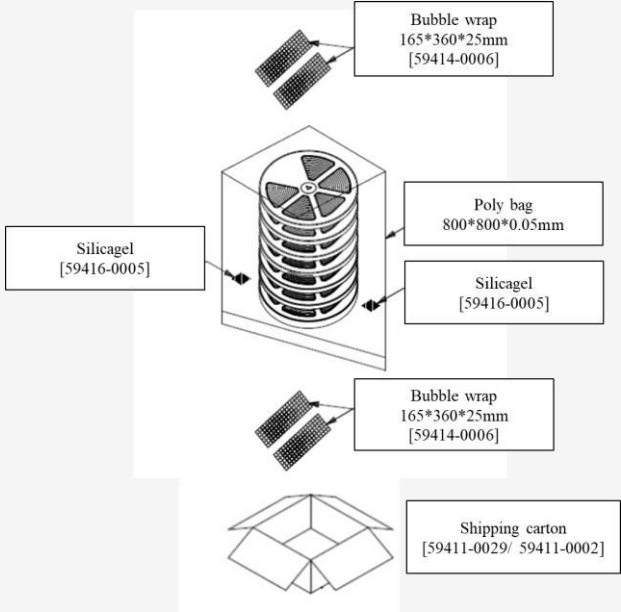
Item 503480 - The product was previously manufactured and packed in Molex Korea according to local carton specifications. After transferring production to Molex Vietnam, we optimize the use of available packaging materials.

Therefore, the reel quantity per carton will be adjusted to match carton sizes in Vietnam.

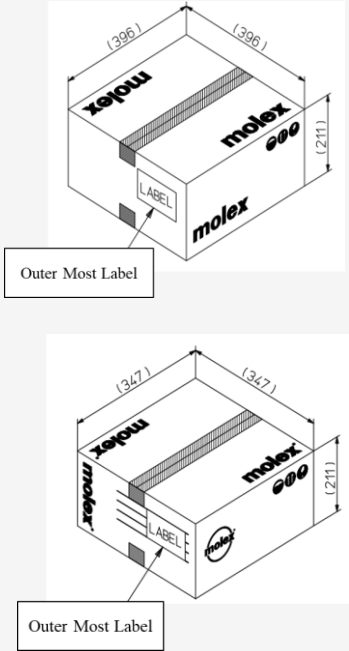
Reel packing



Carton packing



Shipping



Proposed solution

CKT	Part number	TO BE			AS IS		
		FGs/ reel	Reels/ box	Total FG/ box (pcs)	FGs/ reel	Reels/ box	Total FG/ box (pcs)
04	503480-04**	3,000	7	21,000	3,000	8	24,000
05	503480-05**						
06	503480-06**						
08	503480-08**						
10	503480-10**						
12	503480-12**	4,500	4	18,000	4,500	3	13,500
36	503480-36**						
38	503480-38**						
40	503480-40**						

Affected FG part number

5034800400
5034800500
5034800600
5034800800
5034801000
5034801200
5034803600
5034803800
5034804000
5034800420
5034800820
5034801020



Thank You

molex

creating connections for life