

Product Change Notification

Enter Date: 20.05.2025

ITT Cannon

PCN Number: PCN25009WN

Location:

PCN Date: 20.05.2025

Customer: Market

Weinstadt

Issued by: Miles Schöckel
Product Management

Dear Valued Customer. With this letter ITT Cannon informs you of the following change(s) to the respective ITT Cannon Product. In case of further questions about this change(s), please contact your local ITT Sales or Customer Service representative. Affected part, drawing and or specification numbers are listed on the attached sheet(s)

Affected Product(s) / Product Line(s):

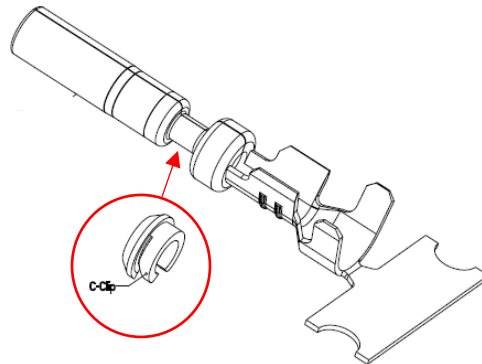
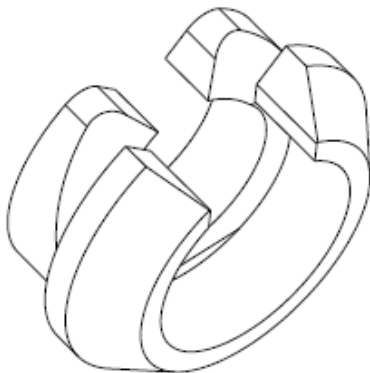
APD C-Clip – 237-8551-000 for contact series APK16

Description of Change(s):

The form of the parts will be slightly different on the outer, non-functional outline to improve the production process. This change does not change the country of origin (COO), fit or function of the parts. The C-Clip is one part of the APK16 contact and needs no change on customer side.

Reason for Change(s):

ITT Cannon GmbH ("ITT") is issuing this product change notification to inform you that ITT will start to produce the C-Clip with new plastic injection molds. This action will assure product quality, increase product availability, and reduce lead times



First Date to Ship (Changed Parts only):

Q2 2025



Affected part numbers:

121668-0220

121668-0222

121668-0255

121668-0265

121668-0266

121668-0267

121668-0268

121668-0292