



16 December 2025

Dear Customer,

**Re: Product change notification for Harwin product.**

There has been a change to the tape pocket and cover tape design on the following product (links to Drawings are also given):

- S7151-45R

Please see the latest Technical Drawing:

<https://content.harwin.com/m/08d8b9173490e9c6/original/DRG-02329-Technical-Drawing-Datasheet-S7151-45R-pdf.pdf>

The tape pocket now has a channel running along the length of the tape, and the cover tape now dips down into this channel. This revised packaging method has been tested and continues to meet the EIA-481 requirements. The spring contact itself is not affected and remains unchanged.

This packaging improvement minimises the risk of these miniature low-profile contacts turning or twisting within the pocket.

All new and existing orders at Harwin for this product will be supplied in the new tape and reel packaging. Distributor stock will be in the new design once current stocks are exhausted.

If you have any further questions regarding this letter, please do not hesitate to contact us.

Yours faithfully,

The Product Change Team

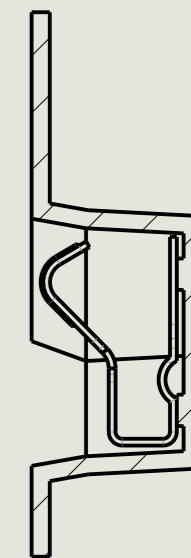
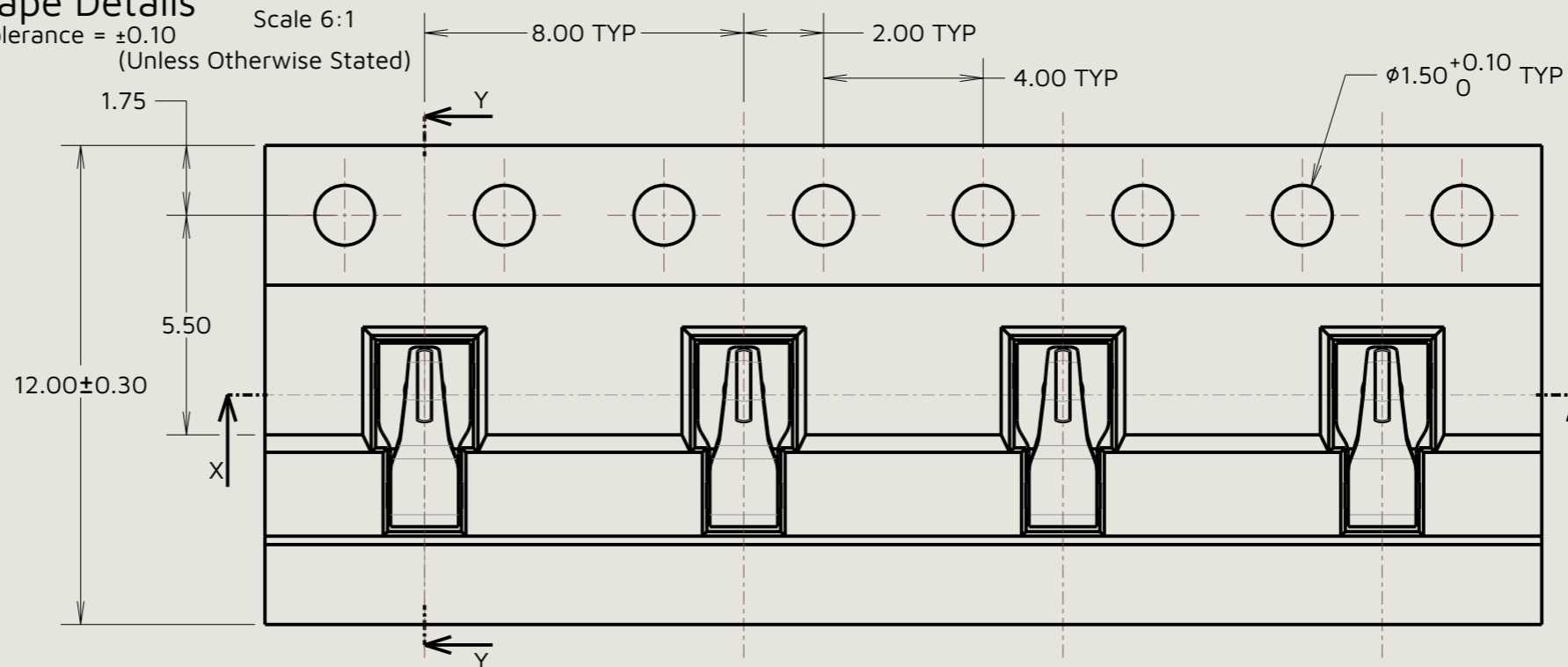
[support@harwin.com](mailto:support@harwin.com)

# Customer Information Sheet

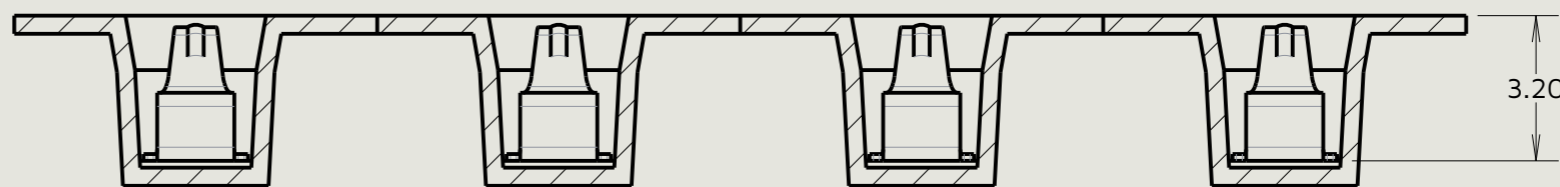
## Tape Details

Tolerance =  $\pm 0.10$   
(Unless Otherwise Stated)

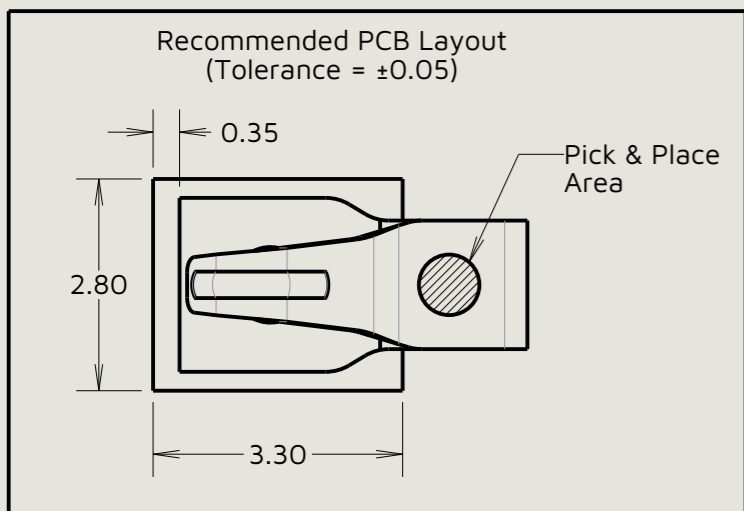
Scale 6:1



Section Y-Y



Section X-X

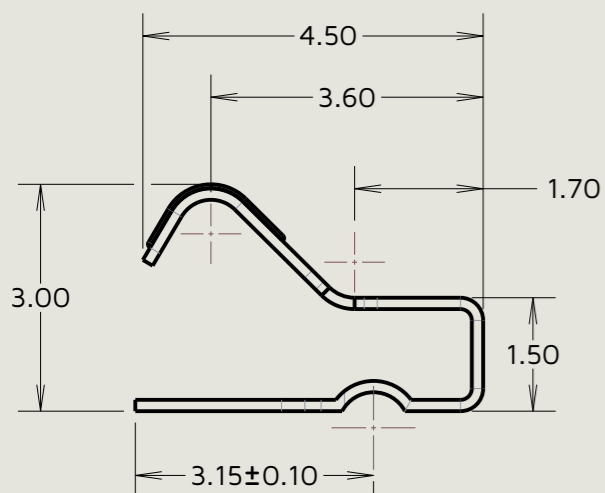
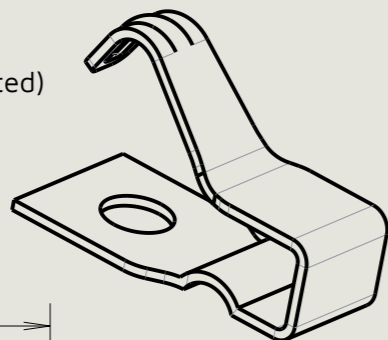


Recommended PCB Layout  
(Tolerance =  $\pm 0.05$ )

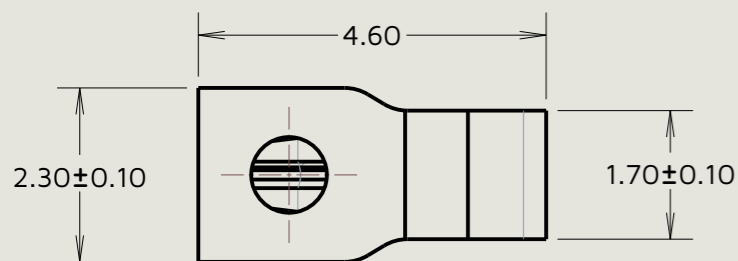
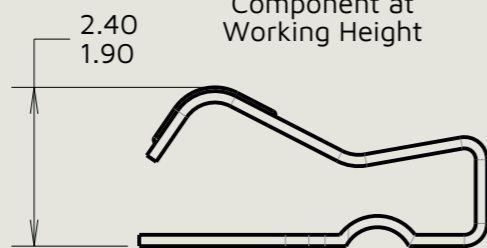
Pick & Place Area

## Component Details:

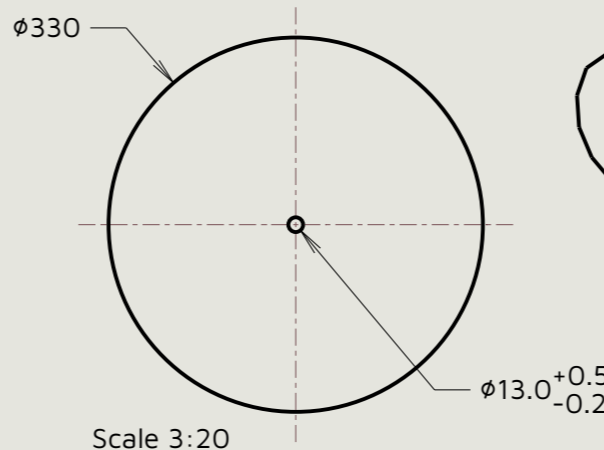
Tolerance =  $\pm 0.15$   
(Unless Otherwise Stated)



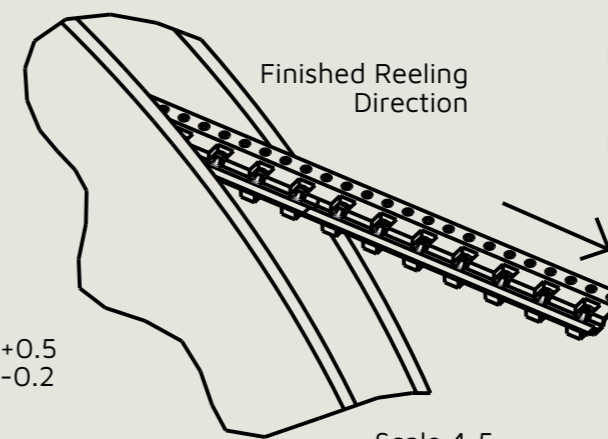
Component at Working Height



## Reel Details



Scale 3:20



Scale 4:5

Specification:  
Material = Phosphor Bronze, 0.15mm Thick  
Finish = Gold flash over Nickel  
Electrical:  
Contact Resistance = 50mΩ Max  
Current Rating = 1A  
Mechanical:  
Durability = 10,000 Cycles  
Minimum Force at Working Height = 0.49N  
Environmental:  
Operating Temperature = -20°C to + 70°C

RA	6	15.12.25	37154
Initials	Rev.	Date	CO
SB	1	20.08.15	-----

- Notes:  
1. Quantity per reel = 2,000.  
2. This product is taped and reeled in general accordance with EIA-481 (Electronics Industries Association).

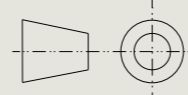
**HARWIN**  
www.harwin.com

This drawing and any information or descriptive matter set out hereon are confidential and copyright property of the Harwin group and must not be disclosed, loaned, copied or used for manufacturing, tendering or for any other purpose without their written permission.

### TOLERANCES

X. =  $\pm 0.50$ mm  
X.X =  $\pm 0.30$ mm  
X.XX =  $\pm 0.10$ mm  
X.XXX =  $\pm 0.01$ mm  
Angles =  $\pm 5^\circ$   
Unless stated

Third angle projection



Sheet scale: 2:1  
Do not scale  
Sheet size: A3

MATERIAL:

See above

FINISH:

See above

Title:

SMT Spring Contact (3.00mm High) in Tape and Reel

Drawing number:

**S7151-45R**