

20 January 2026

Dear Customer,

## Re: Product Change Notification for Harwin product.

Harwin would like to inform you of design enhancements made to the signal contacts within the Datamate connector range.

These updates will improve manufacturability and support more efficient production processes, while maintaining full electrical and mechanical compatibility with existing designs. The following products will be subject to these enhancements:

- M80-0110001 and M80-0110005 – Female 22 AWG Crimp Contact
- M80-0130001 and M80-0130005 – Female 24-28 AWG Crimp Contact
- M80-0190001 and M80-0190005 – Female 28-32 AWG Crimp Contact
- M80-2060005 – Female 22 AWG T-Contact
- M80-0400005 – Male 22 AWG Crimp Contact for Datamate L-Tek
- M80-0410005 – Male 24-28 AWG Crimp Contact for Datamate L-Tek
- M80-1940005 – Male 22 AWG Crimp Contact for Datamate J-Tek/Mix-Tek
- M80-1950005 – Male 24-28 AWG Crimp Contact for Datamate J-Tek/Mix-Tek

### Summary of Changes with Associated Benefits:

#### 1. Increased Rear Chamfer

The chamfer on the rear edge of the cable bore has been enlarged. This will provide a smoother wire entry, reducing the likelihood of conductor strand damage or splaying.

#### 2. Optimised Transition Geometry

The transition angle between the insulation bore and conductor bore has been refined to create a longer, smoother lead-in. This will reduce wire snagging during insertion, ensuring a cleaner crimp.

#### 3. Addition of Through-Hole (female contacts only).

A through-hole has been introduced from the end of the conductor bore to the end of the mating bore. This will enhance plating flow and coverage consistency.

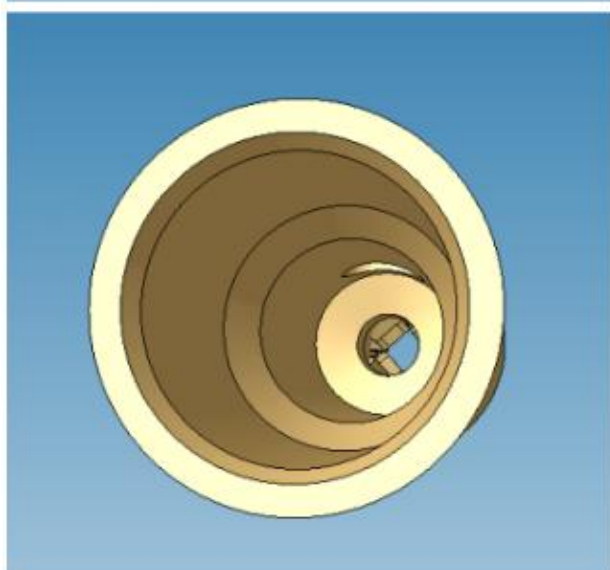
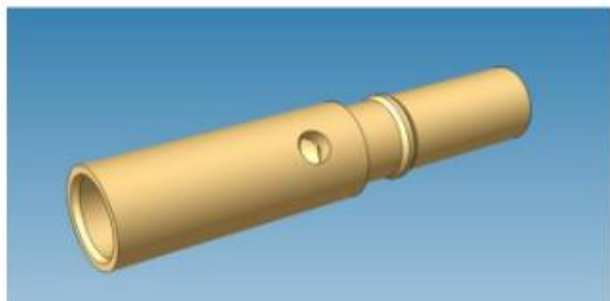
Indicative images of the changes are shown on the following pages.

The outside profile and mating area of the contacts remain unchanged, and electrical and mechanical performance is not affected.

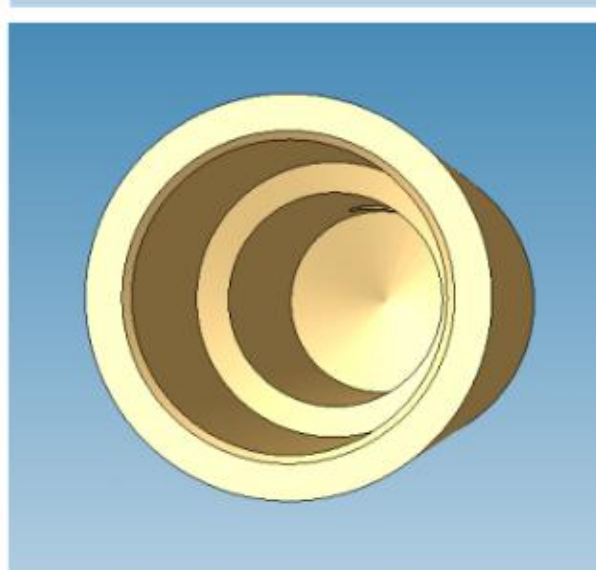
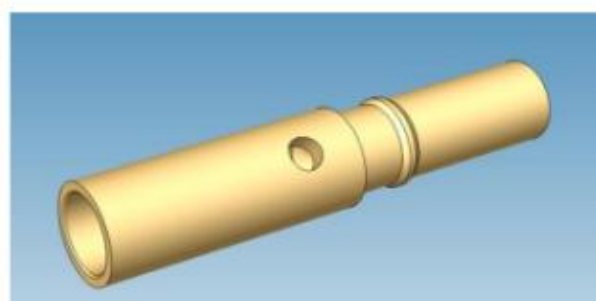
Both legacy and updated design contacts can be used interchangeably within the same connector housing without any effect on performance; assemblies will continue to meet all Harwin and [C005xx Component Specification](#) requirements.

## M80-011000X:

After changes (new design)

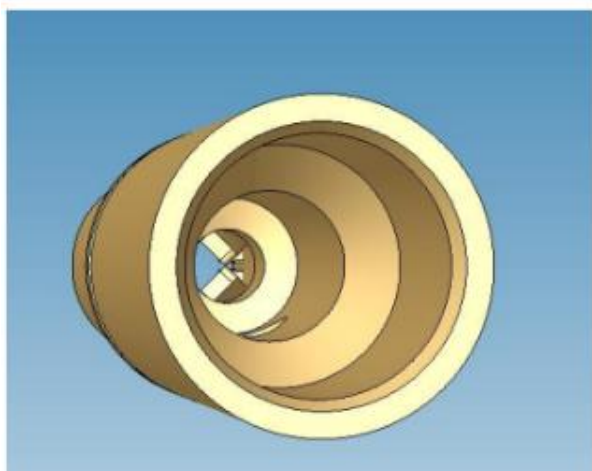
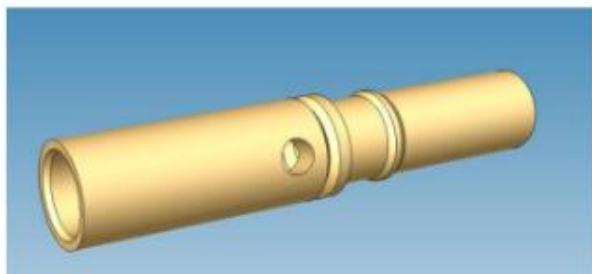


Before changes (old design)

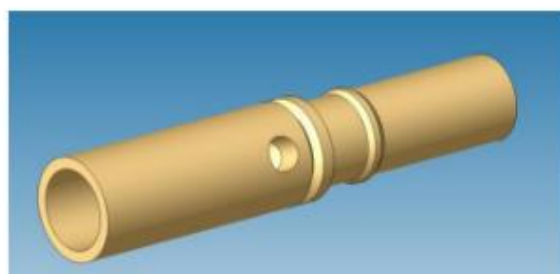


## M80-013000X:

After changes (new design)



Before changes (old design)



Existing stock held by distributors and customers will not be recalled, and both legacy and updated designs may be supplied until current legacy inventories are depleted.

If you have any further questions regarding this letter, please do not hesitate to contact us.

Yours faithfully,

The Product Change Team  
[support@harwin.com](mailto:support@harwin.com)