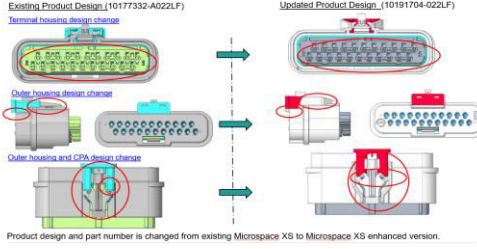


Basics

PCN - 26 101

Release Date: June 24 2026

| | | |
|------------------------------------|---|--|
| Product Name: | HPL-431 | |
| | CUSTOM AUTOMOTIVE - BASICS INDIA | |
| Product Manager: | PRANITH JOY | |
| Subject: | Notification of Planned Change | |
| Distribution: | Affected customers | |
| Type of Change: | Design Change | |
| Change Description: | <p>Product design of this custom part is currently based on the existing Microspace XS product and the design is updated to the Microspace XS enhanced version. The part number is changed from 10177332-A022LF to 10191704-022LF.</p>  <p>Product design and part number is changed from existing Microspace XS to Microspace XS enhanced version.</p> | |
| Reason for Change: | With the adaptation of the MicroSpace XS enhanced design on this custom part provides improved mechanical performance and assembly robustness compared to the existing product, while maintaining functional compatibility. | |
| Affected Parts: | 10177332-A022LF | |
| Effective Date of Change: | August,10 2026 | |
| Last Time Buy Date: | NA | |
| Earliest Disty Return Date: | NA | |
| Last Time Shipment Date | NA | |
| Datasheet Attached? | Yes | |
| Qual/Test Data Attached? | Yes | |
| Samples Availability Date: | 10 August ,2026 | |
| Available Alternatives? | | |
| Questions? | <i>Contact your local ACS Representative, or Product Manager</i> | |
| | <i>PRANITH JOY / Product Manager</i> | |
| | <i>Pranith.Joy@amphenol-fci.com</i> | |

Note:

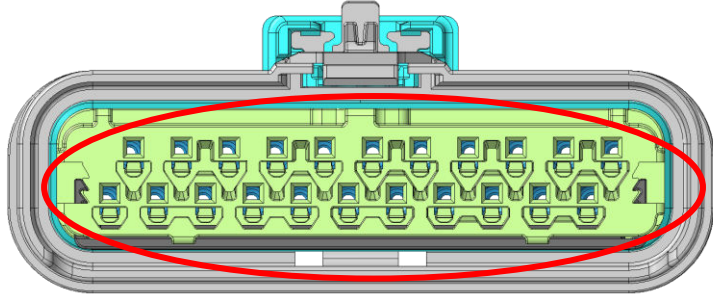
Customers should contact Product Line Manager (or their local Amphenol Representative) directly regarding any concern on the PCN. Lack of any such customer feedback within three weeks of PCN release date will be interpreted as non-objection .

22P Powerwall Receptacle Part number and Design Update

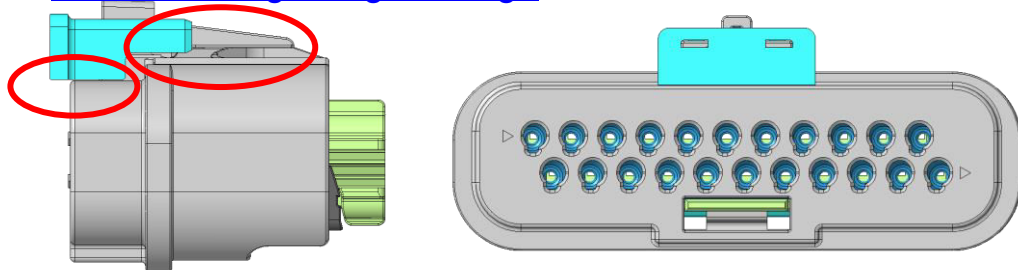
Existing Product Design

(Manufacturing Part Number: 10177332-A022LF)

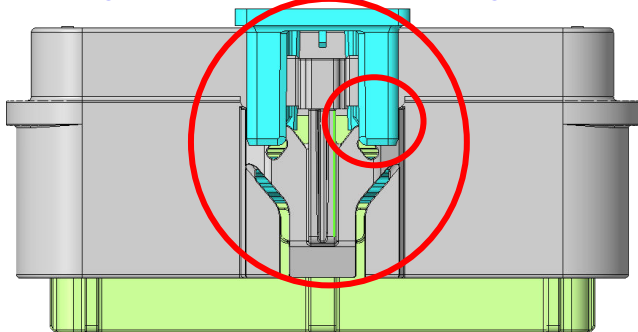
Terminal housing design change



Outer housing design change

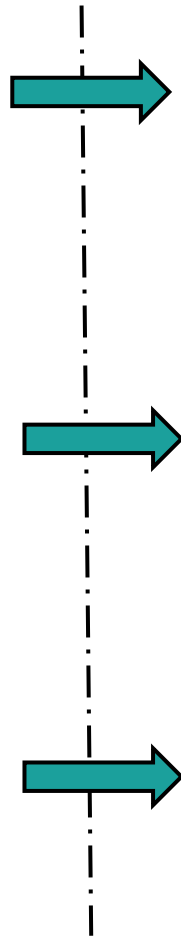
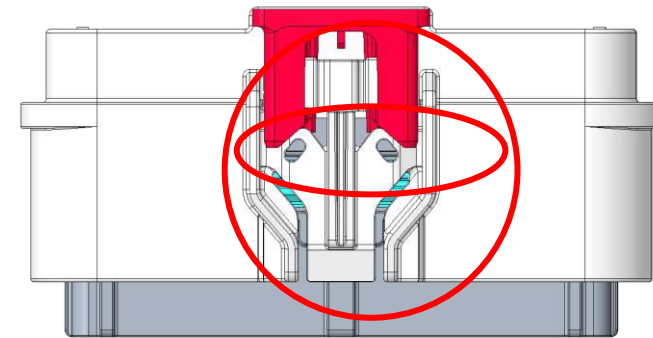
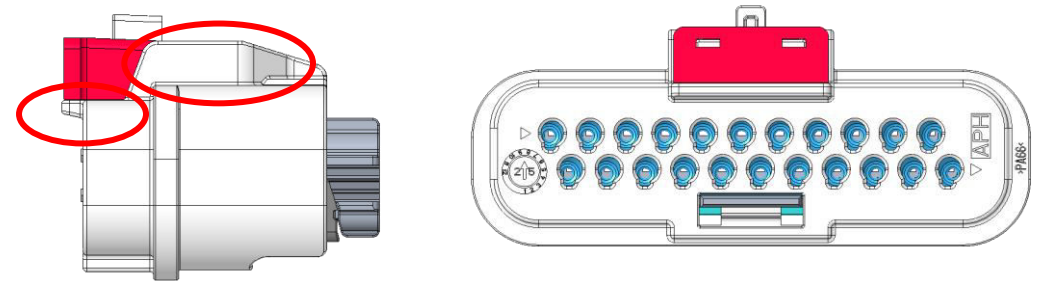
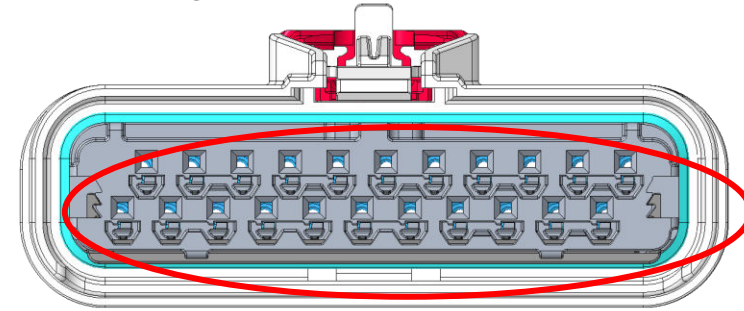


Outer housing and CPA design change



Updated Product Design

(Manufacturing Part Number: 10191704-022LF)



Product design of this custom part is currently based on the existing Microspace XS product and the design is updated to the Microspace XS enhanced version. Hence there is change in the part number as well.

Thank you !!!



| PCN Reference | MPN | Change | Effective Date |
|----------------------|-----------------|---------------|-----------------------|
| PCN26101 | 10177332-A022LF | DESIGN CHANGE | AUG 10, 2026 |
| Count: | 1 | | |

| Last Disty Return date | Last Shipment date | Alternative Parts | Product Family |
|------------------------|--------------------|-------------------|--------------------------------------|
| | | | 599-5Y8F-MICROSPACEXS 1.27MM WATERPR |
| | | | |

| Primary MU | Product Manager | Status |
|------------|---------------------|----------------|
| 4950-49550 | PENG-FEI.GU@AMPHENO | PRE-PRODUCTION |
| | | |