

Dear Valued Customer,

This is to inform you of Amphenol Industrial's decision to change the version of the drawing of PN C10-730210-142.

Change Description:

Change the drawing template; add prefix "C" to the document number; add order number on the drawing. The latest version of the drawing is version E.

The changes will not have any impact to the product performance.

Ⓔ	ORDERING PART NUMBER
	C10-730210-142

AMPHENOL CORPORATION			
Amphenol Technology (Zhuhai) Co. Ltd. No. 63 Xinghan Road, Sanzao Town, Jinwan, Zhuhai, PRC			
PROTECTIVE CAP ASS FOR AMPHE-BTS RECEPTACLE			U
SIZE	CAGE CODE	Ⓔ DOCUMENT NUMBER	REV
C	90MJ5	C10-730210-142	E
SCALE: 2:1		REF: N/A	SHEET 1 OF 1

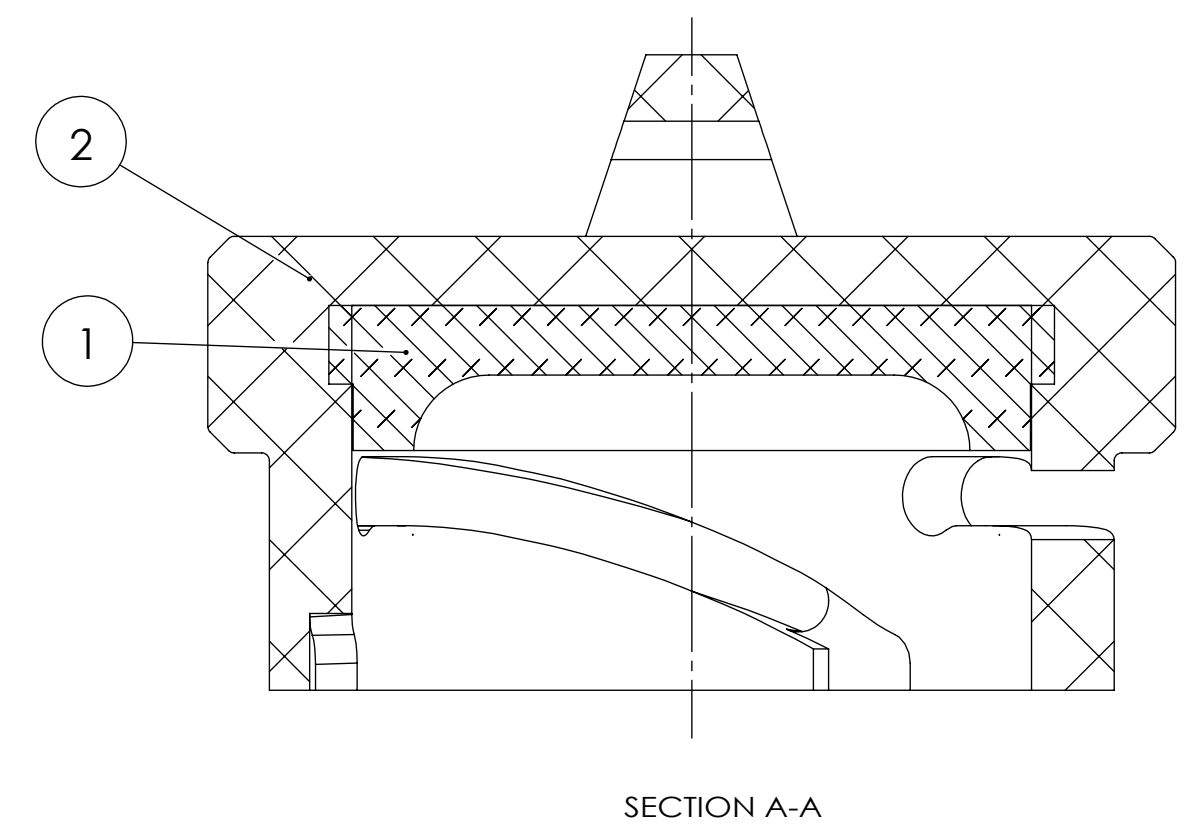
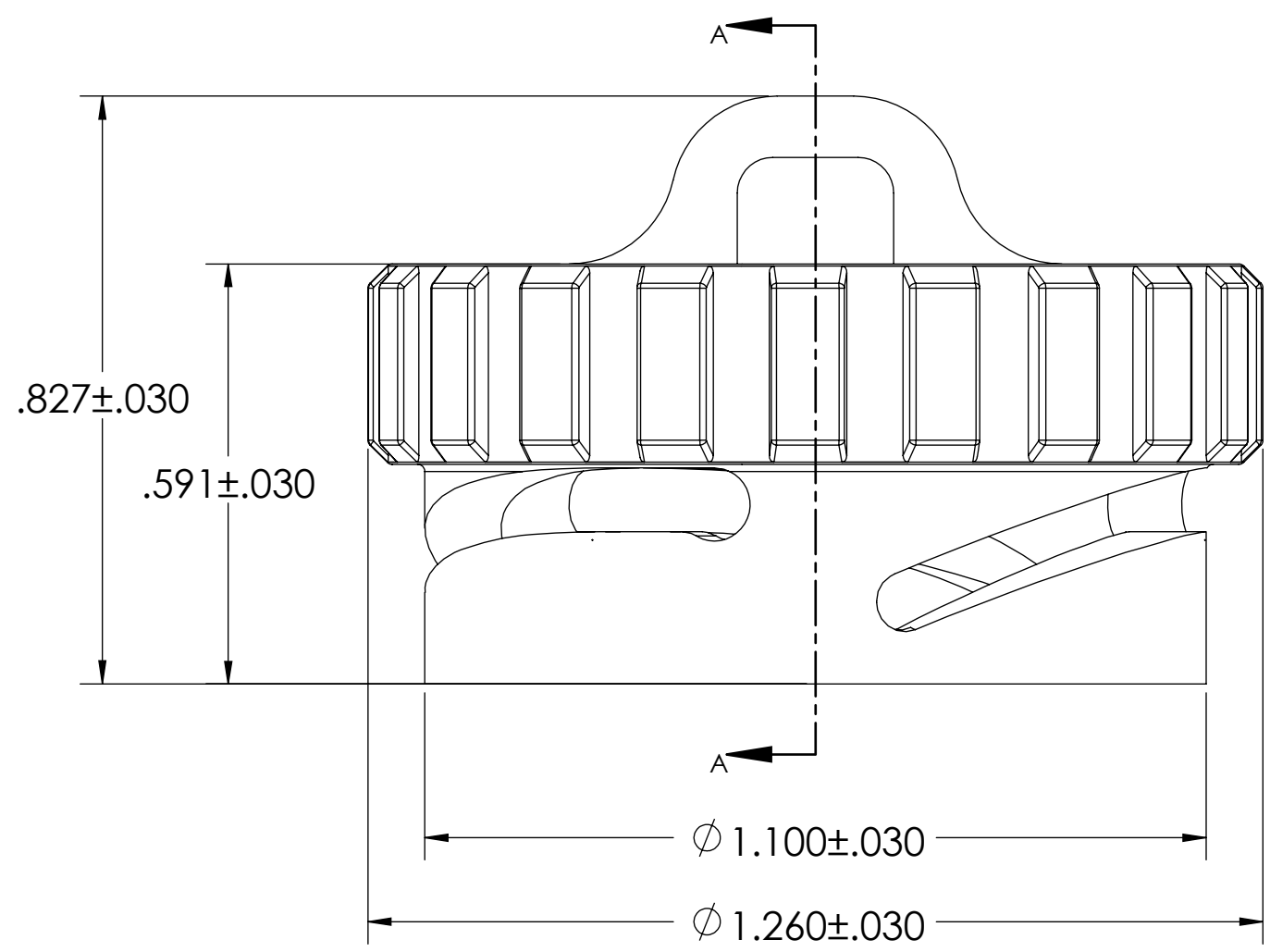
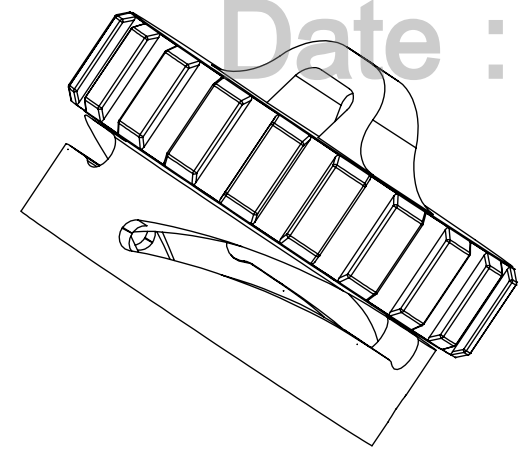
Change Effective Date: Effective immediately

ATZ Confidential Document
Date : 20260416

CUSTOMER DRAWING

REVISIONS			
ZONE	REV.	DESCRIPTION	DATE
	A	INITIAL RELEASE	2014/7/21
	B	UPDATE THE DIMENSIONS	2020/11/4
	C	ADD THE GASKET DRAWING	2021/11/15
	D	ADD THE TOLERANCE	2021/11/30
A1, B3	E	CHANGE THE DRAWING TEMPLATE; ADD "C" OF THE DOCUMENT NUMBER; ADD ORDERING PART NUMBER	2026/4/15

2026.04.1
5 14:19:09
+08'00'
Jerry Pu 2026.04.15
14:43:00 +08'00'



ORDERING PART NUMBER
C10-730210-142

POS	QTY	MATERIAL	DESCRIPTION	NOTE
2	1	PLASTIC	CAP BODY	
1	1	RUBBER	GASKET	

1. THE REFERENCED PRODUCT SHALL COMPLIANT WITH ROHS DIRECTIVE.

NOTES

UNLESS OTHERWISE SPECIFIED		APPROVALS		DATE
LINEAR DIMENSIONS ARE IN INCHES TOLERANCES: .XXXX = ± .0005 .XXX = ± .010 .XX = ± .03 .X = ± .1 ANGLES = ± 2° Amphenol STANDARDS PER 9-3800		PREPARED BY:	LISA LI	2021/11/30
		LEAD/PRODUCT ENGINEER:	JERRY PU	
		ENGINEERING MANAGER:	ROB WENG	
		PRODUCT GROUP:	C&I	
		AIPG DIVISION:	AIO	
		MATERIAL SPEC	PROCESS SPEC	
		N/A	N/A	
THIRD ANGLE PROJECTION				

AMPHENOL CORPORATION Amphenol Technology (Zhuhai) Co. Ltd. No. 63 Xinghan Road, Sanzao Town, Jinwan, Zhuhai, PRC			
PROTECTIVE CAP ASS FOR AMPHE-BTS RECEPTACLE			
SIZE	CAGE CODE	DOCUMENT NUMBER	REV
C	90MJ5	C10-730210-142	E
SCALE: 2:1		REF: N/A	SHEET 1 OF 1

THE USE OF THIS DOCUMENT IS UNLIMITED.
HOWEVER, DOCUMENTS REFERENCED HEREON
MAY CONTAIN LIMITED RIGHTS DATA.

N/A
Next Assembly