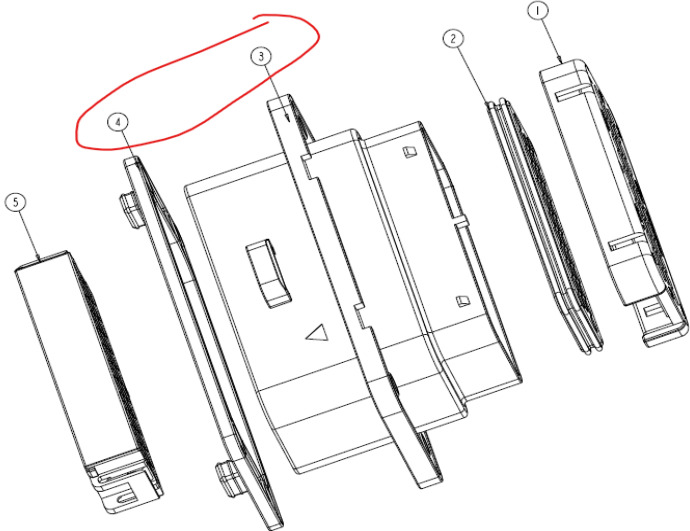
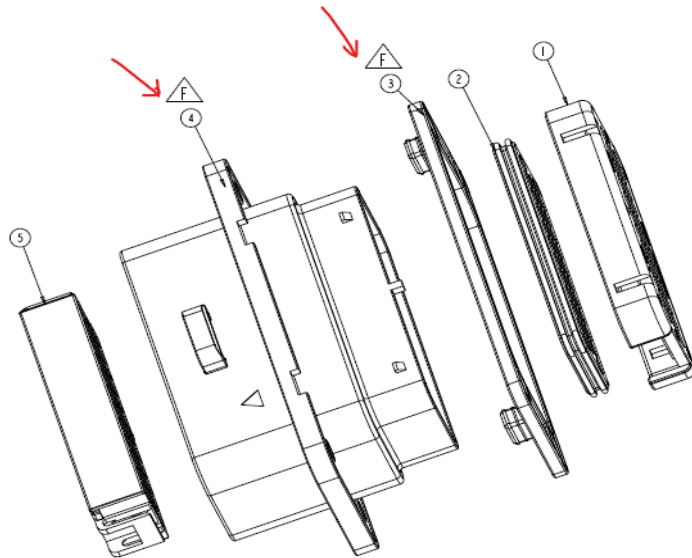


Item No.	Amphenol PN	Before Change
Item 1	C-LVRCM35SCF	<p data-bbox="629 331 1653 651">The exploded-view part sequencing for these 3 assembly drawings (including the customer drawing) is specified as follows. This product is front-mounted. The gasket labeled as Item 4 is actually assembled on the right bottom surface of the plastic housing labeled as Item 3. However, due to the limited drawing-reading capability of production assemblers, there is a risk of misassembling the gasket on the left side of the housing.</p> 

Statement

After Change

The exploded-view parts of these 3 assembly drawings (including the customer drawing) have been re-sequenced according to their actual assembly positions as follows. This will eliminate the risk of misleading assemblers on the actual installation position of the gasket during production. Please update the drawings and revise the revision level accordingly.

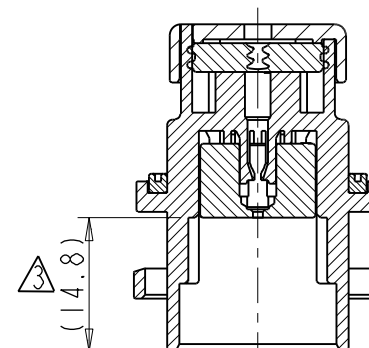
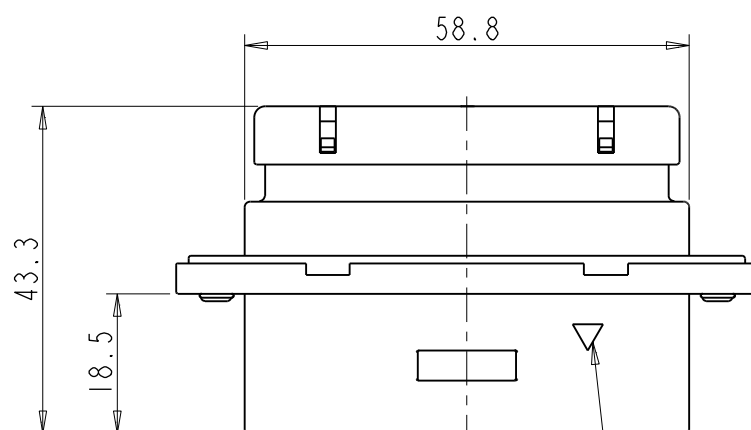
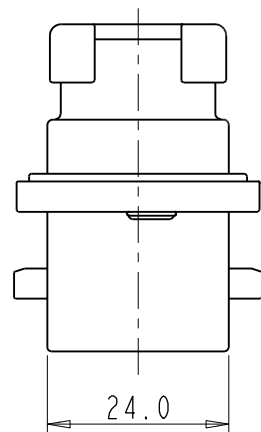
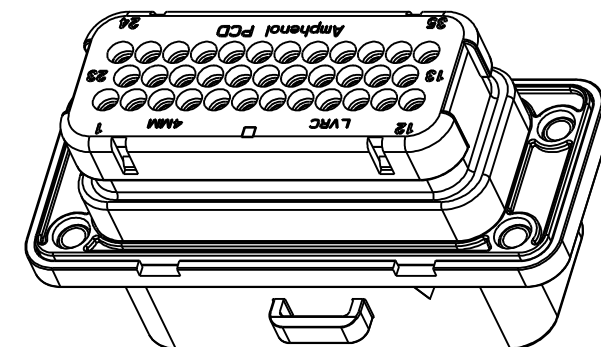
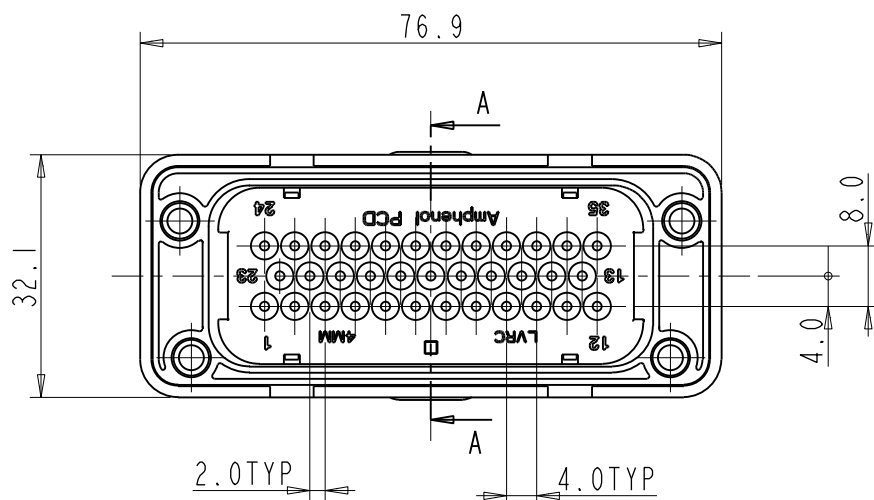
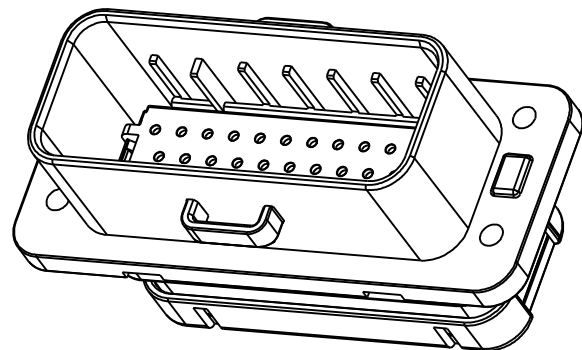


C-LVRCM35SCF

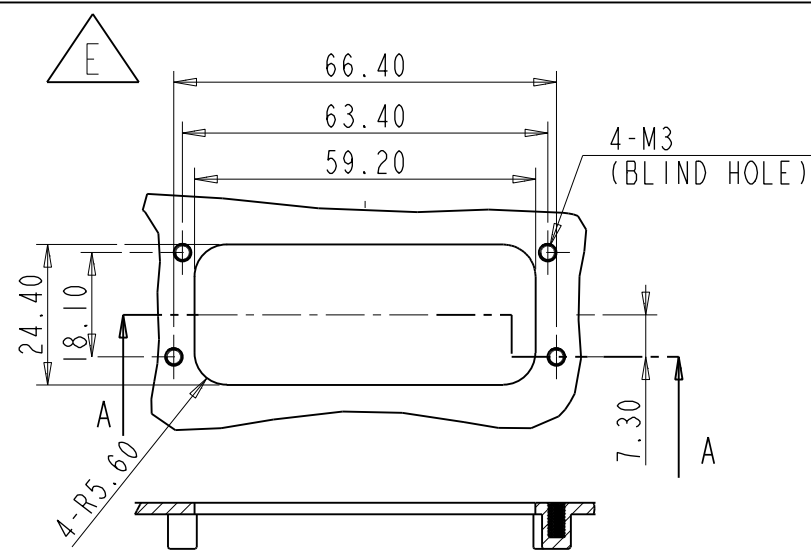
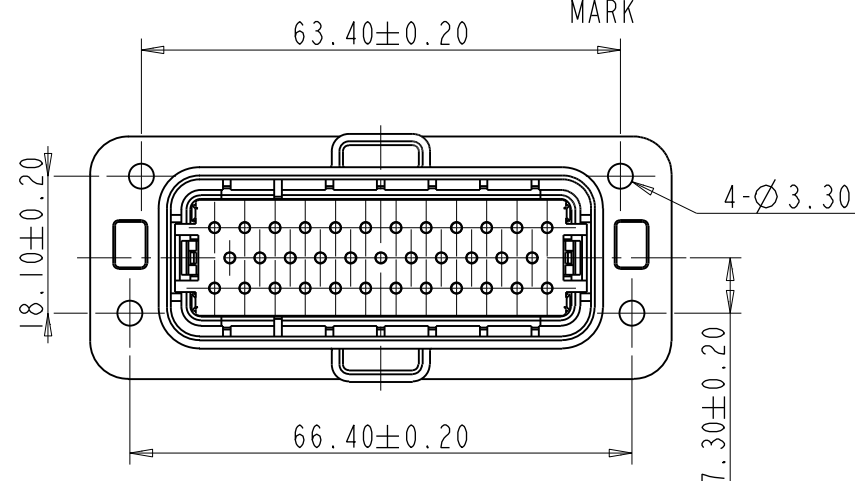
Amphenol PCDSZ
ORIGINAL
PDF Format
R&D

Amphenol PCD Shenzhen
受控文件
2026年5月26日

REV	ECN	DESCRIPTION	DATE	MODIFIED
A	C2389	RELEASE	Aug-31-2017	LUIK
B	C2533	REVISE NOTE 1	Nov-07-2017	LUIK
C	C2656	SEE DETAIL NOTE 5	Jan-24-2018	LUIK
D	R8300W	THE CRIMPING RANGE OF CONTACT CABLE IS REDUCED, SEE NOTE 1 FOR DETAILS	Jul-18-2024	LUIK
E	C09379	CORRECT THE ERROR IN THE PANEL HOLE SIZE	Jul-16-2025	LUIK
F	C10318	UPDATE THE PLACEMENT POSITIONS OF THE EXPLOSIVE DRAWINGS	May-19-2026	LUIK



- NOTES:
- ① MATE CONTACT: 22-18AWG IS C310023102, 16-14AWG IS P01BS00589, PLEASE ORDER SEPARATELY.
 - ② MATE CONNECTOR P/N: LVRCF35PC.
 - ③ THE GRAY HOUSING CANNOT BE INSERTED INTO SHELL DEEPER BEFORE INSTALL CONTACTS.
 - ④ ROHS COMPLIANCE.
 - ⑤ ADD 13 AND 23 HOLE MARKS, ADD 22AWG WIRE & PICK UP 14AWG WIRE CURRENT AND MAX NUMBER OF HOLES.



SECTION A-A
MOUNTING INTERFACE
SPECIFICATION
1.5MM MINIMUM THICKNESS

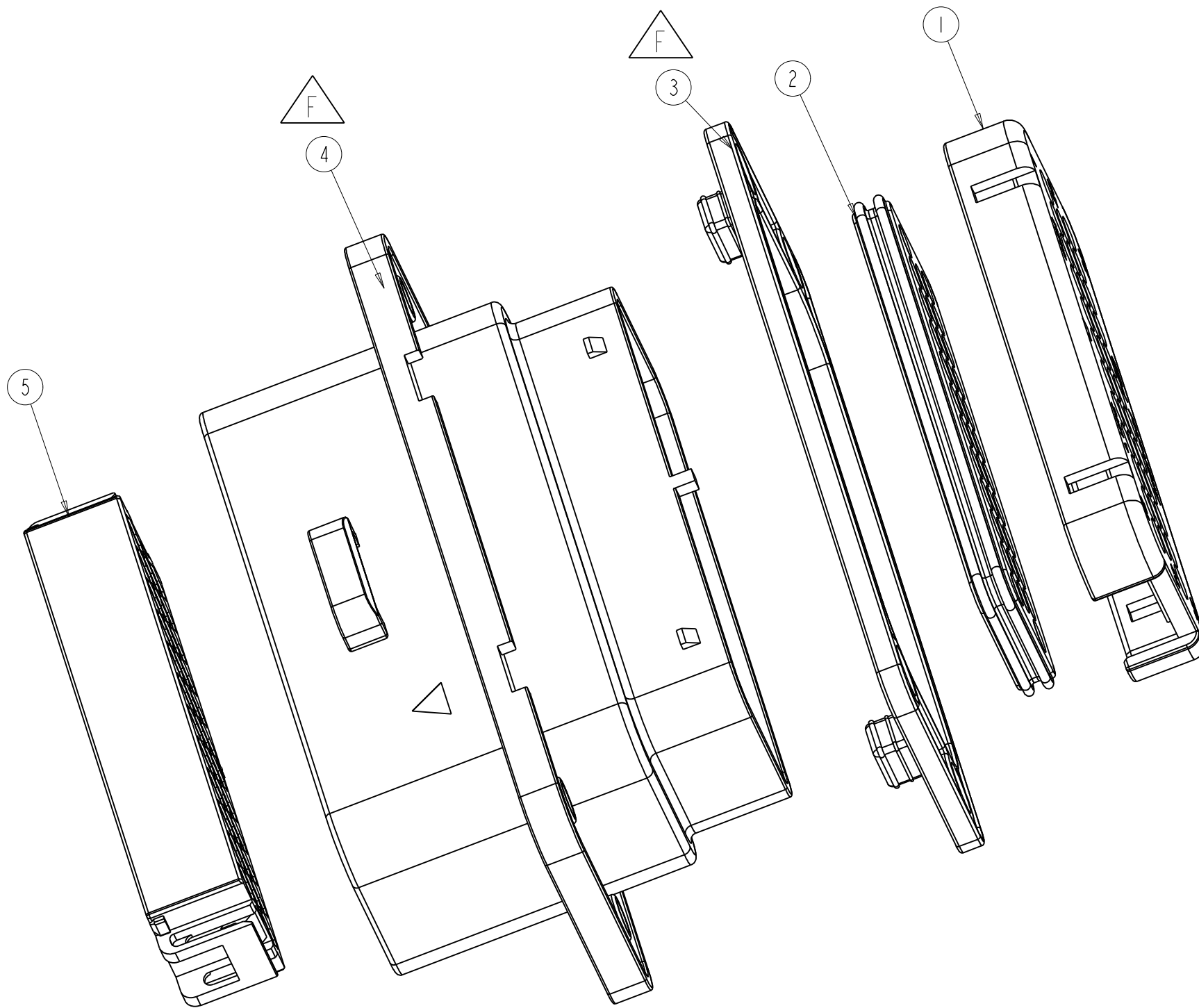
TECHINCAL DATA		SPECIAL CHARACTERISTICS SYMBOL
VOLTAGE RATING	250V	+
CURRENT RATING	8A(22~16AWG) 13A(14AWG, 6POS LOADED MAX.)	+
WIRE RANGE	22-14AWG WIRE INSULATION OD: 1.7-2.7MM	⊙
WATERPROOF (MATED CONDITION)	IP 67	+
OPERATION TEMP.	-40-125°	⊙
MAX MATING CYCLES	50 TIMES	⊙

DIMENSIONS	TOLERANCES	PROJECTION	TITLE
ANSI Y14.5M UNITS: MM Pro/E FILE	.X ±0.5 .XX ±0.05 ANGLES ±2°		Amphenol PCD Shenzhen
ORIGINAL	THIS DOCUMENT CONTAINS PROPRIETARY INFORMATION WHICH IS THE CONFIDENTIAL PROPERTY OF Amphenol PCD Shenzhen Co. Ltd Amphenol PCD Shenzhen Co. Ltd RESERVES THE RIGHT TO CLARIFY THIS DRAWING	ENGR C. Peng Aug-31-2017	SOCKET OF 35 PIN CONNECTOR FRONT ASSEMBLY STYLE
		CHKD 	SIZE A3
		APPD rock.chen	DWG NO. C-LVRCM35SCF

TITLE		SCALE	SHEET	REV
SOCKET OF 35 PIN CONNECTOR FRONT ASSEMBLY STYLE		1:1	1 OF 2	F

C-LVRCM35SCF

C-LVRCM35SCF



Amphenol PCD Shenzhen
 受控文件
 2026年5月26日

LVRCM35SCF	5	C220011208	INSERT HOUSING,PA66 GRAY	1
	4	C220011206	HOUSING,PA66 BLACK	1
	3	C270011203	FLAT RUBBER OF SOCKET, BLACK	1
	2	C270011201	RUBBER,SR RED	1
	1	C220011204	COVER,PA66 BLACK	1
P/N	ITEM	COMPONENT P/N	DESCRIPTION	QTY

SIZE	DWG NO.	REV
A3	C-LVRCM35SCF	F
SCALE: 2:1		SHEET 2 OF 2

C-LVRCM35SCF

C-LVRCM35SCF