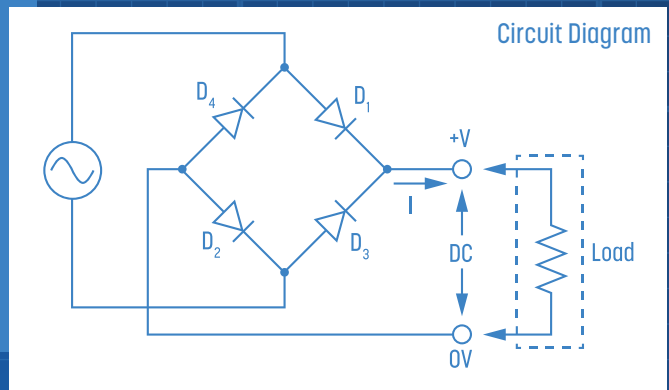


# What is a BRIDGE RECTIFIER?

A **Bridge Rectifier** is used to convert **Alternating Current (AC)** to **Direct Current (DC)** which can be used elsewhere in the circuit. They are commonly found in power supplies, and require other passive components, such as capacitors, to filter the DC power to be used in the rest of the circuit.



Positive DC voltage is output here. Without filtering, the voltage swings rapidly between 0V and the initial AC voltage. A filter capacitor placed between +V and ground will drastically reduce these swings.

Alternating Current is connected here.

Alternating Current is connected here.

This pin acts as the DC ground.

