

BUCHANAN WireMate CONNECTOR

Slim Poke-In Series

TE Connectivity (TE)'s BUCHANAN WireMate connector slim poke-in series is designed for quick and easy Wire-to-Board and Board-to-Board connectivity in a low profile, slim form factor. The releasable contact function along with the design for multiple wire sizes allows for convenience in installation and rework. Additionally, the low profile and small footprint allows for high density and compact PCB designs.



Applications

- Telecommunication Systems
- Lighting Systems
- Security
- Room and Area Lighting

Electrical

- **Current Rating:** 10A for wire 18 AWG
6A for wire 20 AWG & 22 AWG
4A for board to board connection
- **Voltage Rating:** 300 VAC Max

Mechanical

- **Operating Temperature:** -40°C to +105°C
- **Wire Gauge - 2834167-3:** 18-22 AWG (solid/stranded)
2834171-3: 20-24 AWG (solid/stranded)
- Tin dipped required for stranded

Material

- **Contact:** Copper Alloy with Tin plating

Specifications

- **Application Specification:** [114-137166](#)
- **Product Specification:** [108-137166](#)

Product Compliance / Approvals

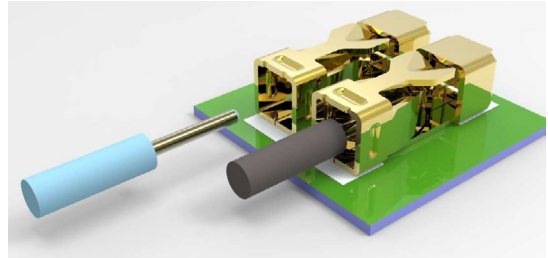
- **UL Approval:** UL1977 / File: E28476

Benefits

- Releasable function allows for quick rework
- Designed for compact PCB layouts
- Bare contact offers size and cost savings from housed poke-in
- Wide range of wire sizes accepted
- Board-to-board mating function

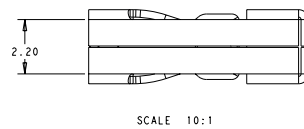
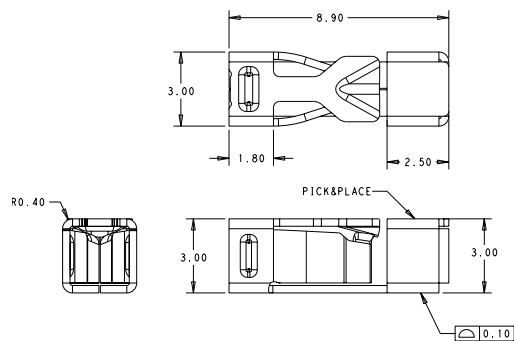
Product Selection Information

Part Number	Description
2834167-3	Releasable Slim Female Contact
2834171-3	Ultraminiature Slim Contact
2834172-3	Ultraminiature Slim Male Pin Contact

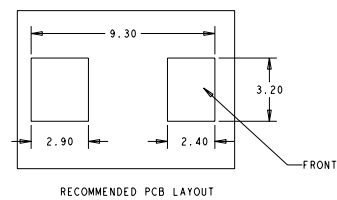


Dimensions

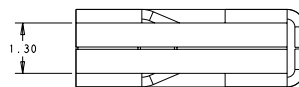
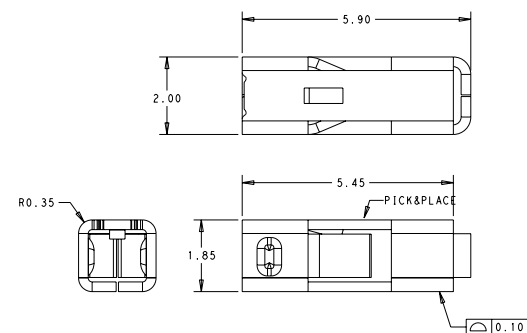
2834167-3



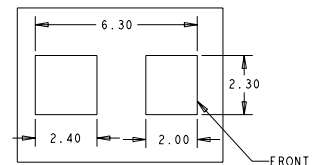
RECOMMENDED PCB LAYOUT



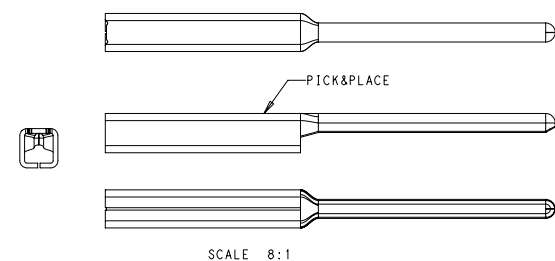
2834171-3



RECOMMENDED PCB LAYOUT



2834172-3



RECOMMENDED PCB LAYOUT

