

Type 3 surge protection device - PLT-SEC-T3-24-FM-UT



2907916

<https://www.phoenixcontact.com/in/products/2907916>

Please be informed that the data shown in this PDF document is generated from our Online Catalog. Please find the complete data in the user documentation. Our General Terms of Use for Downloads are valid.



Type 3 surge protection, consisting of protective plug and base element, with integrated status indicator and remote signaling for single-phase power supply networks. Nominal voltage: 24 V AC/DC

Your advantages

- Surge protection family for universal use with optimum energy coordination from the lightning current arrester to the device protection
- Easy to maintain due to consistently pluggable protection modules
- Excellent level of information provided by mechanical/visual status indicator and remote indication contact
- Your preferred connection technology can be selected as both screw connection and Push-in connection are available
- Optimal additional protection of the industrial power supply for a longer service life and increased availability of the system

Type 3 surge protection device - PLT-SEC-T3-24-FM-UT



2907916

<https://www.phoenixcontact.com/in/products/2907916>

Commercial Data

Item number	2907916
Packing unit	5 pc
Minimum order quantity	1 pc
Sales Key	CL1
Product Key	CL14A2
Catalog Page	Page 82 (C-4-2019)
GTIN	4055626257419
Weight per Piece (including packing)	94.49 g
Weight per Piece (excluding packing)	81.16 g
Customs tariff number	85363030
Country of origin	DE

Type 3 surge protection device - PLT-SEC-T3-24-FM-UT



2907916

<https://www.phoenixcontact.com/in/products/2907916>

Technical Data

Product properties

IEC power supply system	TN-S
Type	DIN rail module, two-section, divisible
Product type	Device protection
Number of positions	2
Surge protection fault message	Optical, remote indicator contact

Insulation characteristics

Overvoltage category	III
Pollution degree	2
IEC test classification	III
	T3
EN type	T3
Number of ports	One

Electrical properties

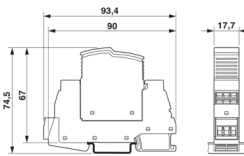
Indicator/remote signaling

Connection name	Remote fault indicator contact
Switching function	Changeover contact
Operating voltage	250 V AC
	125 V DC (200 mA DC)
Operating current	0.5 A AC
	0.5 A DC (75 V DC)

Connection data

Connection method	Screw connection
Screw thread	M3
Tightening torque	0.5 Nm
Conductor cross section flexible	0.2 mm ² ... 2.5 mm ²
Conductor cross section solid	0.2 mm ² ... 4 mm ²
Conductor cross section AWG	24 ... 12

Dimensions

Dimensional drawing	
Width	17.7 mm
Height	93.4 mm
Depth	74.5 mm (incl. DIN rail 7.5 mm)

Type 3 surge protection device - PLT-SEC-T3-24-FM-UT



2907916

<https://www.phoenixcontact.com/in/products/2907916>

Horizontal pitch	1 Div.
------------------	--------

Material specifications

Color	light grey RAL 7035
	traffic grey A RAL 7042
Flammability rating according to UL 94	V-0
CTI value of material	600
Insulating material	PA 6.6-FR 20 % GF
	PA 6.6-FR
Housing material	PA 6.6-FR 20 % GF
	PA 6.6-FR

Protective circuit

Mode of protection	L-N
	L-PE
	N-PE
Direction of action	1L-N & N-PE
Nominal voltage U_N	24 V AC (TN-S)
Nominal frequency f_N	50 Hz (60 Hz)
Maximum continuous voltage U_C	34 V AC
Rated load current I_L	26 A (at 30 °C)
Residual current I_{PE}	$\leq 5 \mu\text{A}$
Standby power consumption P_C	$\leq 2.7 \text{ mVA}$ (at U_{REF})
	$\leq 4.8 \text{ mVA}$ (at U_C)
Reference test voltage U_{REF}	27 V AC
Nominal discharge current I_n (8/20) μs	1 kA
Combination wave U_{OC}	2 kV
Voltage protection level U_p (L-N)	$\leq 0.2 \text{ kV}$
Voltage protection level U_p (L-PE)	$\leq 0.6 \text{ kV}$
Voltage protection level U_p (N-PE)	$\leq 0.6 \text{ kV}$
TOV behavior at U_T (L-N)	50 V AC (120 min / withstand mode)
TOV behavior at U_T (L-PE)	50 V AC (120 min / withstand mode)
Response time t_A (L-N)	$\leq 25 \text{ ns}$
Response time t_A (L-PE)	$\leq 100 \text{ ns}$
Response time t_A (N-PE)	$\leq 100 \text{ ns}$
Short-circuit current rating I_{SCCR}	10 kA AC
Max. backup fuse with branch wiring	32 A (gG / B / C)

Additional technical data

Short-circuit current rating I_{SCCR}	0.25 kA DC (Without additional backup fuse in the DC branch wiring)
	5 kA DC (for 20 A gG / B backup fuse)
Maximum discharge current I_{max} (8/20) μs	4 kA
Nominal discharge current I_n (8/20) μs	3 kA
Residual voltage U_{res} (L-N)	$\leq 0.16 \text{ kV}$ (at 0.5 kA)

Type 3 surge protection device - PLT-SEC-T3-24-FM-UT



2907916

<https://www.phoenixcontact.com/in/products/2907916>

	≤ 0.2 kV (at 1 kA)
Residual voltage U_{res} (L-PE)	≤ 0.35 kV (at 0.5 kA)
	≤ 0.4 kV (at 1 kA)
Residual voltage U_{res} (N-PE)	≤ 0.35 kV (at 0.5 kA)
	≤ 0.4 kV (at 1 kA)
Maximum continuous voltage U_C	44 V DC
Mode of protection	(DC+) - (DC-)
	(DC+/DC-) - PE

Environmental and real-life conditions

Ambient conditions

Degree of protection	IP20
Ambient temperature (operation)	-40 °C ... 80 °C
Ambient temperature (storage/transport)	-40 °C ... 80 °C
Altitude	≤ 2000 m (operating voltage remote contact ≤ 250 V)
	≤ 6000 m (operating voltage remote contact ≤ 150 V)
Permissible humidity (operation)	5 % ... 95 %
Shock (operation)	30g (Half-sine / 11 ms / 3x ±X, ±Y, ±Z)
Vibration (operation)	5g (5 ... 500 Hz / 2.5 h / X, Y, Z)

Approval data

UL specifications

Maximum continuous operating voltage MCOV	34 V AC
	34 V DC
Nominal discharge current I_n	1 kA
Mode of protection	L-N
	L-G
	N-G
	(DC+) - (DC-)
	(DC+) - G
	(DC-) - G
Nominal voltage	34 V DC
Rated load current I_L	20 A
Power distribution system	Single phase
	DC
Nominal frequency	50/60 Hz
Measured limiting voltage MLV (L-N)	200 V
Measured limiting voltage MLV (L-G)	510 V
Measured limiting voltage MLV (N-G)	510 V
SPD Type	4CA

UL indicator/remote signaling

AC operating voltage	250 V AC (0.5 A)
	12 V DC (4 A)

Type 3 surge protection device - PLT-SEC-T3-24-FM-UT



2907916

<https://www.phoenixcontact.com/in/products/2907916>

DC operating voltage	24 V DC (2 A)
	48 V DC (1 A)

UL connection data

Tightening torque	4.4 lb _f -in.
Conductor cross section AWG	16 ... 12

Standards and regulations

Standards/specifications	IEC 61643-11
--------------------------	--------------

EN 61643-11

Standards/specifications	EN 61643-11
--------------------------	-------------

Mounting

Mounting type	DIN rail: 35 mm
---------------	-----------------

Type 3 surge protection device - PLT-SEC-T3-24-FM-UT

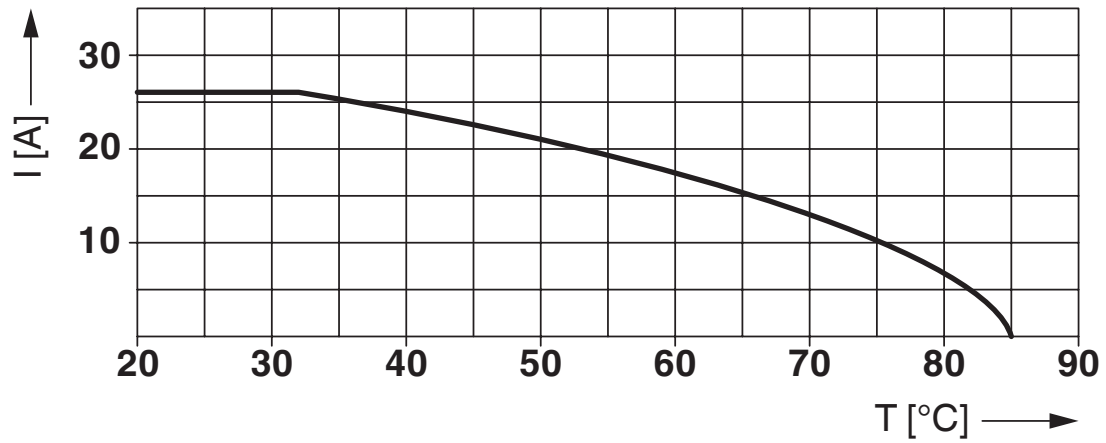


2907916

<https://www.phoenixcontact.com/in/products/2907916>

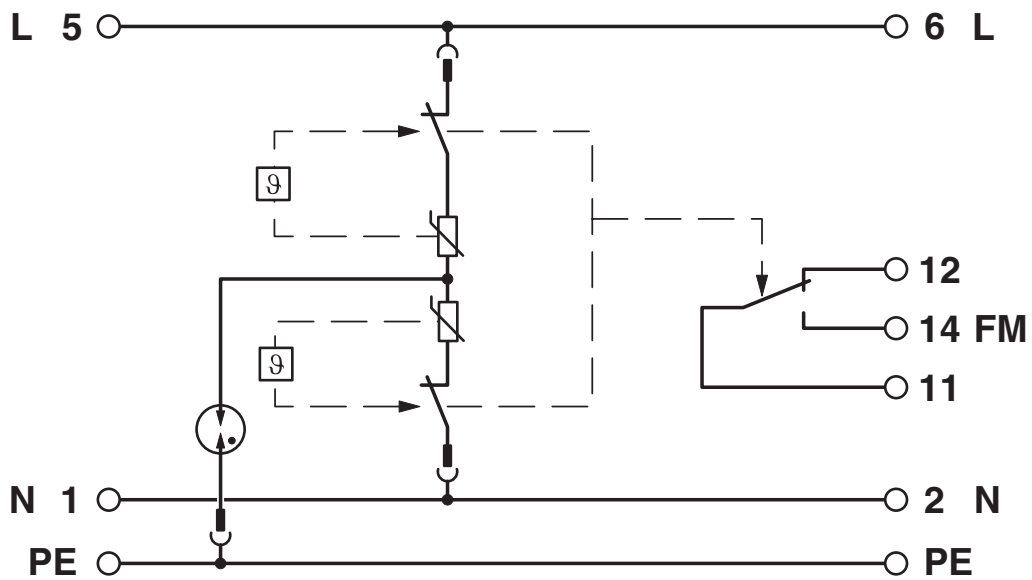
Drawings

Diagram



Nominal current depending on ambient temperature

Circuit diagram



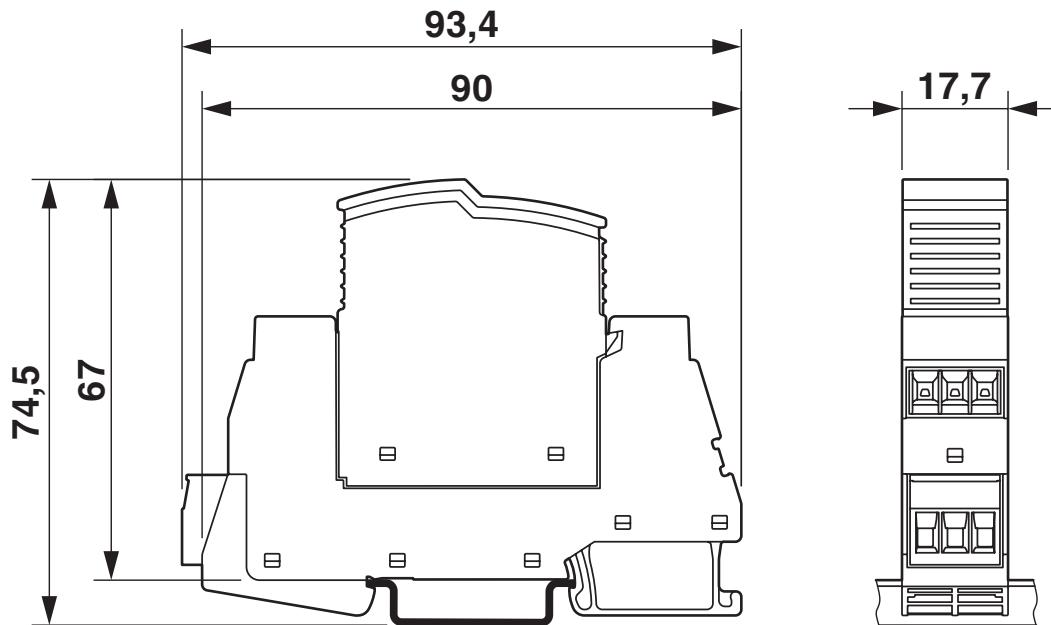
Type 3 surge protection device - PLT-SEC-T3-24-FM-UT



2907916

<https://www.phoenixcontact.com/in/products/2907916>

Dimensional drawing



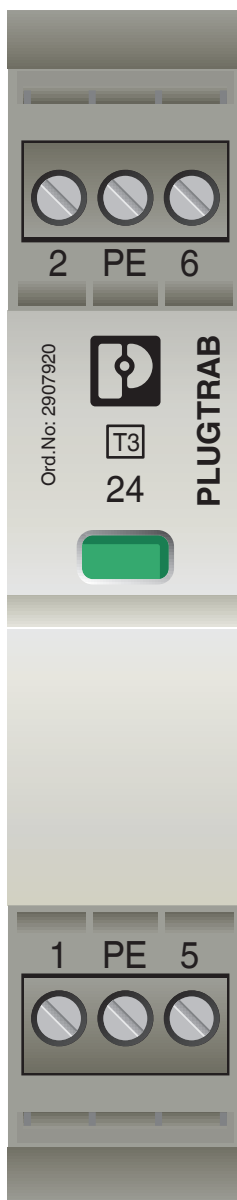
Type 3 surge protection device - PLT-SEC-T3-24-FM-UT



2907916

<https://www.phoenixcontact.com/in/products/2907916>

Product drawing



Type 3 surge protection device - PLT-SEC-T3-24-FM-UT



2907916

<https://www.phoenixcontact.com/in/products/2907916>

Approvals



cUL Recognized
Approval ID: FILE E 330181



UL Recognized
Approval ID: FILE E 330181



IECEE CB Scheme
Approval ID: NL-51083



EAC
Approval ID: RU C-DE.*09.B.00169

CCA

Approval ID: NTR-NL 7676

Nominal Voltage U_N

Nominal Current I_N

Cross Section AWG

Cross Section mm^2

-

-



KEMA-KEUR
Approval ID: 71-103027



DNV GL
Approval ID: TAE00002U7

Nominal Voltage U_N

Nominal Current I_N

Cross Section AWG

Cross Section mm^2

-

-



cUL Recognized
Approval ID: FILE E 340736

Nominal Voltage U_N

Nominal Current I_N

Cross Section AWG

Cross Section mm^2

-

-



UL Recognized
Approval ID: FILE E 340736

Nominal Voltage U_N

Nominal Current I_N

Cross Section AWG

Cross Section mm^2

-

-

Type 3 surge protection device - PLT-SEC-T3-24-FM-UT



2907916

<https://www.phoenixcontact.com/in/products/2907916>

cULus Recognized

cULus Recognized

Type 3 surge protection device - PLT-SEC-T3-24-FM-UT



2907916

<https://www.phoenixcontact.com/in/products/2907916>

Classifications

ECLASS

ECLASS-9.0	27130806
ECLASS-10.0.1	27130806
ECLASS-11.0	27130806

ETIM

ETIM 8.0	EC000942
----------	----------

UNSPSC

UNSPSC 21.0	
-------------	--

Type 3 surge protection device - PLT-SEC-T3-24-FM-UT



2907916

<https://www.phoenixcontact.com/in/products/2907916>

Environmental Product Compliance

REACH SVHC	Lead 7439-92-1
China RoHS	Environmentally Friendly Use Period = 50 years
	For information on hazardous substances, refer to the manufacturer's declaration available under "Downloads"

Type 3 surge protection device - PLT-SEC-T3-24-FM-UT



2907916

<https://www.phoenixcontact.com/in/products/2907916>

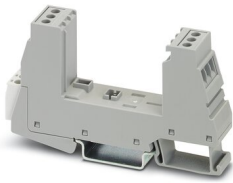
Accessories

Type 3 surge protection base element

Type 3 surge protection base element - PLT-SEC-T3-BE-FM-UT - 2907924

<https://www.phoenixcontact.com/in/products/2907924>

Base element for protective plugs from the PLT-SEC-...-UT/PT product series with remote indication contact.



Type 3 surge protection plug

Type 3 surge protection plug - PLT-SEC-T3-24-P-UT/PT - 2907920

<https://www.phoenixcontact.com/in/products/2907920>

Replacement plug for type 3 surge protection from the PLT-SEC-...-UT/PT product series. Nominal voltage 24 V.



Type 3 surge protection device - PLT-SEC-T3-24-FM-UT

2907916

<https://www.phoenixcontact.com/in/products/2907916>

Marker pen

Marker pen - X-PEN 0,35 - 0811228

<https://www.phoenixcontact.com/in/products/0811228>



Marker pen without ink cartridge, for manual labeling of markers, labeling extremely wipe-proof, line thickness 0.35 mm

End clamp

End clamp - CLIPFIX 35 - 3022218

<https://www.phoenixcontact.com/in/products/3022218>



Quick mounting end clamp for NS 35/7,5 DIN rail or NS 35/15 DIN rail, with marking option, width: 9.5 mm, color: gray

Type 3 surge protection device - PLT-SEC-T3-24-FM-UT



2907916

<https://www.phoenixcontact.com/in/products/2907916>

Label

Label - EML (20XE)R - 0803452

<https://www.phoenixcontact.com/in/products/0803452>



Label, Roll, white, unlabeled, can be labeled with: THERMOMARK ROLLMASTER 300/600, THERMOMARK X1.2, THERMOMARK ROLL X1, THERMOMARK ROLL 2.0, THERMOMARK ROLL, mounting type: adhesive

Label

Label - EML (20XE)R YE - 0803453

<https://www.phoenixcontact.com/in/products/0803453>



Label, Roll, yellow, unlabeled, can be labeled with: THERMOMARK ROLLMASTER 300/600, THERMOMARK X1.2, THERMOMARK ROLL X1, THERMOMARK ROLL 2.0, THERMOMARK ROLL, mounting type: adhesive, lettering field size: continuous x 20 mm

Phoenix Contact 2022 © - all rights reserved

<https://www.phoenixcontact.com>

PHOENIX CONTACT (I) Pvt. Ltd.

A-58/2, Okhla Industrial Area, Phase - II, New Delhi-110 020

+91.1275.71420

info@phoenixcontact.co.in