

# Potential distributors - CAPAROC PD 0V



1110987

<https://www.phoenixcontact.com/us/products/1110987>

Please be informed that the data shown in this PDF document is generated from our Online Catalog. Please find the complete data in the user documentation. Our General Terms of Use for Downloads are valid.



Potential distributor with Push-in connections for directly connecting the 0 V return conductor in the CAPAROC system. For DIN rail installation via the CAPAROC current rails.

## Your advantages

- The benchmark that you can tailor with direct pairwise integration into the system alongside the circuit breaker module
- Particularly easy operation for everyone with tool-free insertion without additional wiring effort
- Exceptionally easy design-in with color-coded pushers for clear identification of the potentials

## Commercial Data

Item number	1110987
Packing unit	1 pc
Minimum order quantity	1 pc
Sales Key	C34
Product Key	CLA23Z
GTIN	4063151029395
Weight per Piece (including packing)	79.7 g
Weight per Piece (excluding packing)	79.7 g
Customs tariff number	85363010
Country of origin	DE

## Technical Data

### Notes

#### General

Note	LABS release – in accordance with test specification VW PV 3. 10.7:2005-0
	When connecting the conductor, make sure that the CAPAROC modules are not pulled apart due to tensile force. Gaps must not be created between the modules.

### Product properties

Product type	Device circuit breakers
Insulation characteristics	
Protection class	III
Pollution degree	2

### Electrical properties

#### General

Operating voltage	0 V DC ... 30 V DC
Rated voltage	12 V DC
	24 V DC
Rated current $I_N$	10 A DC (per output)
	40 A DC (Total)
Rated surge voltage	0.5 kV
Efficiency	> 99 %
Power dissipation	< 0.4 W (in nominal operation at 24 V and 4 x 10 A)
MTBF (IEC 61709, SN 29500)	269532625 h (at 25 °C with 21 % load)
	269532334.5 h (at 40 °C with 34.25% load)
	269530881.5 h (at 60 °C with 100% load)
Voltage drop	9.7 mV (at 10 A)

### Connection data

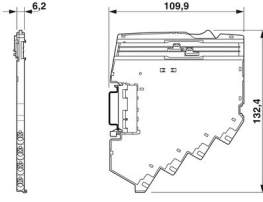
#### Load circuit

Connection method	Push-in connection
Stripping length	10 mm
Conductor cross section flexible	0.2 mm <sup>2</sup> ... 4 mm <sup>2</sup>
Conductor cross section solid	0.2 mm <sup>2</sup> ... 4 mm <sup>2</sup>
Conductor cross section AWG	24 ... 12
Conductor cross section, flexible, with ferrule, with plastic sleeve	0.25 mm <sup>2</sup> ... 4 mm <sup>2</sup>
Conductor cross section flexible, with ferrule without plastic sleeve	0.25 mm <sup>2</sup> ... 4 mm <sup>2</sup>

### Dimensions

1110987

<https://www.phoenixcontact.com/us/products/1110987>

Dimensional drawing	
Width	6.2 mm
Height	132.4 mm
Depth	109.9 mm (incl. DIN rail 7.5 mm)

## Material specifications

Color	light grey RAL 7035
Material	PA 6 (Housing)
	PA 6 (Pusher)
	PA 6 (Release lever)
Flammability rating according to UL 94	V-0

## Environmental and real-life conditions

### Ambient conditions

Degree of protection	IP20
Ambient temperature (operation)	-30 °C ... 65 °C (The temperature range of the power module must be taken into consideration)
Ambient temperature (storage/transport)	-40 °C ... 70 °C
Altitude	≤ 4000 m (amsl (above mean sea level))
Humidity test	96 h, 95 % RH, 40 °C
Shock (operation)	30g (11 ms period, half-sine shock pulse, according to IEC 60068-2-27)
	25g (6 ms duration, half-sine shock pulse in accordance with IEC 60068-2-27, continuous shock)
Vibration (operation)	5g (10 ... 150 Hz / 10 cycles / axis / X, Y, Z)

## Approval data

### UL approval

Identification	UL/C-UL Listed UL 508
----------------	-----------------------

## Standards and regulations

Standards/specifications	EN 61000-6-2
Standards/specifications	EN 61000-6-3
Standards/specifications	EN 60068-2-78
Standards/specifications	EN 50178
Standards/specifications	EN 60068-2-6
Standards/specifications	EN 60068-2-27

## Mounting

# Potential distributors - CAPAROC PD 0V



1110987

<https://www.phoenixcontact.com/us/products/1110987>

Mounting type
---------------

pluggable onto CAPAROC CR... current rail
---

# Potential distributors - CAPAROC PD 0V

1110987

<https://www.phoenixcontact.com/us/products/1110987>

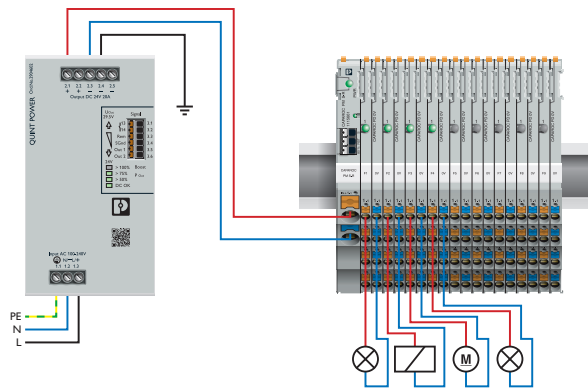


## Drawings

Product drawing



Application drawing



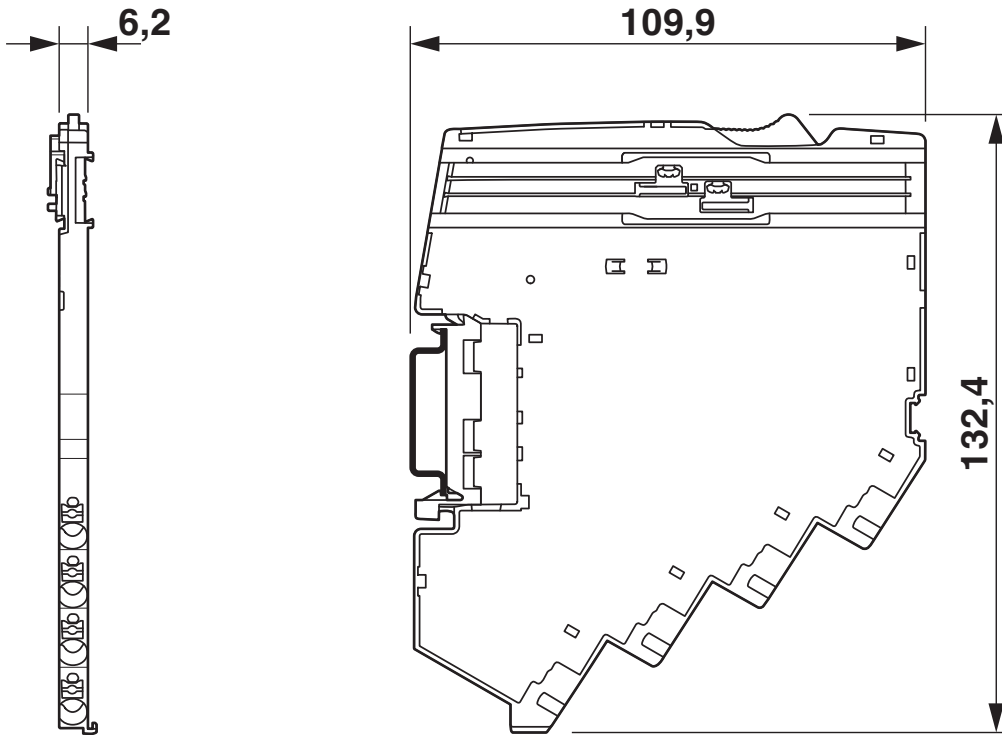
# Potential distributors - CAPAROC PD 0V



1110987

<https://www.phoenixcontact.com/us/products/1110987>

Dimensional drawing




# Potential distributors - CAPAROC PD 0V




1110987

<https://www.phoenixcontact.com/us/products/1110987>

## Approvals

 **UL Listed**  
Approval ID: FILE E 123528

 **cUL Listed**  
Approval ID: FILE E 123528

**cULus Listed**

# Potential distributors - CAPAROC PD 0V



1110987

<https://www.phoenixcontact.com/us/products/1110987>

## Classifications

### ECLASS

ECLASS-9.0	27141116
ECLASS-10.0.1	27140401
ECLASS-11.0	27140401

### ETIM

ETIM 8.0	EC003538
----------	----------

### UNSPSC

UNSPSC 21.0	39121400
-------------	----------

1110987

<https://www.phoenixcontact.com/us/products/1110987>

## Mandatory Accessories

### Busbar

Busbar - CAPAROC CR 20 - 1110989

<https://www.phoenixcontact.com/us/products/1110989>

Busbar for CAPAROC system with 20 slots. For installation on a DIN rail.



### Busbar

Busbar - CAPAROC CR 8 - 1115672

<https://www.phoenixcontact.com/us/products/1115672>

Busbar for the CAPAROC system with 8 slots. For installation on a DIN rail.



# Potential distributors - CAPAROC PD 0V

1110987

<https://www.phoenixcontact.com/us/products/1110987>

## Power module

Power module - CAPAROC PM S-R - 1115661

<https://www.phoenixcontact.com/us/products/1115661>



Power module with status output and reset input for supplying the CAPAROC circuit breaker system with 12 or 24 V DC. For DIN rail installation via the CAPAROC current rails.

---

## Power module

Power module - CAPAROC PM PN - 1110986

<https://www.phoenixcontact.com/us/products/1110986>



Power module with PROFINET interface for supplying the CAPAROC circuit breaker system with 12 or 24 V DC. Additional system interface for communication with the power supply. For DIN rail installation via the CAPAROC current rails.

---

## Accessories

1110987

<https://www.phoenixcontact.com/us/products/1110987>

## Electronic circuit breaker

Electronic circuit breaker - CAPAROC E1 12-24DC/1-4A - 1115415

<https://www.phoenixcontact.com/us/products/1115415>



1-channel electronic circuit breaker module for protecting 12 and 24 V DC loads against overload and short circuit. Nominal current adjustable from 1 A to 4 A via LED button. For DIN rail installation via the CAPAROC current rails.

---

## Electronic circuit breaker

Electronic circuit breaker - CAPAROC E1 12-24DC/1-10A - 1115649

<https://www.phoenixcontact.com/us/products/1115649>



1-channel electronic circuit breaker module for protecting 12 and 24 V DC loads against overload and short circuit. Nominal current adjustable from 1 A to 10 A via LED button. For DIN rail installation via the CAPAROC current rails.

1110987

<https://www.phoenixcontact.com/us/products/1110987>

## Electronic circuit breaker

Electronic circuit breaker - CAPAROC E1 12-24DC/1A - 1157288

<https://www.phoenixcontact.com/us/products/1157288>



1-channel electronic circuit breaker module for protecting 12 and 24 V DC loads against overload and short circuit. With fixed nominal current. For DIN rail installation via the CAPAROC current rails.

---

## Electronic circuit breaker

Electronic circuit breaker - CAPAROC E1 12-24DC/2A - 1157290

<https://www.phoenixcontact.com/us/products/1157290>



1-channel electronic circuit breaker module for protecting 12 and 24 V DC loads against overload and short circuit. With fixed nominal current. For DIN rail installation via the CAPAROC current rails.

# Potential distributors - CAPAROC PD 0V



1110987

<https://www.phoenixcontact.com/us/products/1110987>

## Electronic circuit breaker

Electronic circuit breaker - CAPAROC E1 12-24DC/4A - 1157285

<https://www.phoenixcontact.com/us/products/1157285>



1-channel electronic circuit breaker module for protecting 12 and 24 V DC loads against overload and short circuit. With fixed nominal current. For DIN rail installation via the CAPAROC current rails.

---

## Electronic circuit breaker

Electronic circuit breaker - CAPAROC E1 12-24DC/6A - 1157286

<https://www.phoenixcontact.com/us/products/1157286>



1-channel electronic circuit breaker module for protecting 12 and 24 V DC loads against overload and short circuit. With fixed nominal current. For DIN rail installation via the CAPAROC current rails.

1110987

<https://www.phoenixcontact.com/us/products/1110987>

## Electronic circuit breaker

Electronic circuit breaker - CAPAROC E1 12-24DC/8A - 1157279

<https://www.phoenixcontact.com/us/products/1157279>



1-channel electronic circuit breaker module for protecting 12 and 24 V DC loads against overload and short circuit. With fixed nominal current. For DIN rail installation via the CAPAROC current rails.

---

## Electronic circuit breaker

Electronic circuit breaker - CAPAROC E1 12-24DC/10A - 1157284

<https://www.phoenixcontact.com/us/products/1157284>



1-channel electronic circuit breaker module for protecting 12 and 24 V DC loads against overload and short circuit. With fixed nominal current. For DIN rail installation via the CAPAROC current rails.

1110987

<https://www.phoenixcontact.com/us/products/1110987>

## Electronic circuit breaker

Electronic circuit breaker - CAPAROC E2 12-24DC/1-4A - 1115655

<https://www.phoenixcontact.com/us/products/1115655>



2-channel electronic circuit breaker module for protecting 12 and 24 V DC loads against overload and short circuit. Nominal current adjustable from 1 A to 4 A via step switch. For DIN rail installation via the CAPAROC current rails.

---

## Electronic circuit breaker

Electronic circuit breaker - CAPAROC E2 12-24DC/2-10A - 1110984

<https://www.phoenixcontact.com/us/products/1110984>



2-channel electronic circuit breaker module for protecting 12 and 24 V DC loads against overload and short circuit. Nominal current adjustable from 2 A to 10 A via step switch. For DIN rail installation via the CAPAROC current rails.

1110987

<https://www.phoenixcontact.com/us/products/1110987>

## Electronic circuit breaker

Electronic circuit breaker - CAPAROC E4 12-24DC/1-4A - 1115657

<https://www.phoenixcontact.com/us/products/1115657>



Four-channel electronic circuit breaker module for protecting 12 and 24 V DC loads against overload and short circuit. Nominal current adjustable from 1 A to 4 A via LED button. For DIN rail installation via the CAPAROC current rails.

---

## Electronic circuit breaker

Electronic circuit breaker - CAPAROC E4 12-24DC/1-10A - 1115658

<https://www.phoenixcontact.com/us/products/1115658>



Four-channel electronic circuit breaker module for protecting 12 and 24 V DC loads against overload and short circuit. Nominal current adjustable from 1 A to 10 A via LED button. For DIN rail installation via the CAPAROC current rails.

# Potential distributors - CAPAROC PD 0V



1110987

<https://www.phoenixcontact.com/us/products/1110987>

## Marker for terminal blocks

Marker for terminal blocks - UC-TM 6 - 0818085

<https://www.phoenixcontact.com/us/products/0818085>



Marker for terminal blocks, Sheet, white, unlabeled, can be labeled with: BLUEMARK ID COLOR, BLUEMARK ID, BLUEMARK CLED, PLOTMARK, CMS-P1-PLOTTER, mounting type: snapped, for terminal block width: 6.2 mm, lettering field size: 5.6 x 10.5 mm, Number of individual labels: 80

---

## Marker for terminal blocks

Marker for terminal blocks - UCT-TM 6 - 0828736

<https://www.phoenixcontact.com/us/products/0828736>



Marker for terminal blocks, Sheet, white, unlabeled, can be labeled with: TOPMARK NEO, TOPMARK LASER, BLUEMARK ID COLOR, BLUEMARK ID, BLUEMARK CLED, THERMOMARK PRIME, THERMOMARK CARD 2.0, THERMOMARK CARD, mounting type: snapped, for terminal block width: 6.2 mm, lettering field size: 5.6 x 10.5 mm, Number of individual labels: 60

# Potential distributors - CAPAROC PD 0V

1110987

<https://www.phoenixcontact.com/us/products/1110987>

## Busbar

Busbar - CAPAROC CR EXT20 - 1115674

<https://www.phoenixcontact.com/us/products/1115674>

Extension busbar with 20 slots for the CAPAROC system. For installation on a DIN rail.



---

## Busbar

Busbar - CAPAROC CR EXT8 - 1110990

<https://www.phoenixcontact.com/us/products/1110990>

Extension busbar with 8 slots for CAPAROC system. For installation on a DIN rail.



# Potential distributors - CAPAROC PD 0V



1110987

<https://www.phoenixcontact.com/us/products/1110987>

## Busbar

Busbar - CAPAROC CR EXT4 - 1110991

<https://www.phoenixcontact.com/us/products/1110991>



Extension busbar with 4 slots for the CAPAROC system. For installation on a DIN rail.

---

## Metal part

Metal part - CAPAROC CR CON - 1270955

<https://www.phoenixcontact.com/us/products/1270955>



Metal extension rails from connecting CAPAROC initial busbars.

---

Phoenix Contact 2022 © - all rights reserved  
<https://www.phoenixcontact.com>

Phoenix Contact USA  
586 Fulling Mill Road  
Middletown, PA 17057, United States  
(+717) 944-1300  
[info@phoenixcon.com](mailto:info@phoenixcon.com)