

Device connector, rear mounting - SACC-DSI-M5MS-3CON-L180



1530621

<https://www.phoenixcontact.com/us/products/1530621>

Please be informed that the data shown in this PDF document is generated from our Online Catalog. Please find the complete data in the user documentation. Our General Terms of Use for Downloads are valid.



Sensor/actuator flush-type plug, 3-pos., M5, prewall/screw mounting, with straight solder connection

Product Description

Flush-type connector
Rear mounting, one-piece, for wave soldering processes, 180°

Your advantages

- Easy PCB assembly: one-piece connectors for wave soldering

Commercial Data

Item number	1530621
Packing unit	1 pc
Minimum order quantity	20 pc
Note	Made to Order (non-returnable)
Sales Key	A11
Product Key	ABQAAA
Catalog Page	Page 224 (C-2-2013)
GTIN	4046356024426
Weight per Piece (including packing)	2.885 g
Weight per Piece (excluding packing)	2.535 g
Customs tariff number	85366990
Country of origin	DE

Device connector, rear mounting - SACC-DSI-M5MS-3CON-L180



1530621

<https://www.phoenixcontact.com/us/products/1530621>

Technical Data

Mounting

Mounting type	Rear mounting M5 x 0.5 With locking nut
Assembly instructions	With locking nut

Product properties

Product type	Circular connectors (device side)
Number of positions	3
Shielded	no
Coding	A - standard

Insulation characteristics

Overvoltage category	II
Degree of pollution	3

Material specifications

Flammability rating according to UL 94	HB
Sealing material	Viton
Contact material	Cu alloy
Contact surface material	Au
Contact carrier material	PA 6.6
Material for screw connection	Nickel-plated brass

Electrical properties

Contact resistance	$\leq 3 \text{ m}\Omega$
Insulation resistance	$\geq 100 \text{ M}\Omega$
Nominal voltage U_N	60 V
Nominal current I_N	1 A
Test voltage	800 V

Connection data

Conductor connection

Connection method	Solder pins
-------------------	-------------

Connector

Connection 1

Head design	Plug
Head cable outlet	straight
Head thread type	M5

Ambient conditions

Device connector, rear mounting - SACC-DSI-M5MS-3CON-L180



1530621

<https://www.phoenixcontact.com/us/products/1530621>

Degree of protection	IP67
Degree of protection	IP67
Ambient temperature (operation)	-25 °C ... 80 °C

Standards and regulations

Standards/specifications	IEC 61076-2-105
--------------------------	-----------------

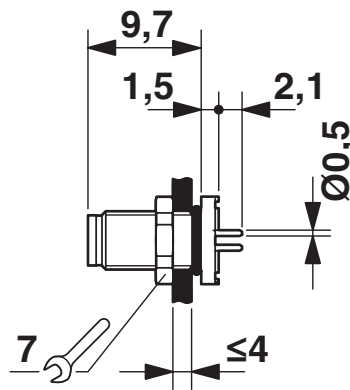
Device connector, rear mounting - SACC-DSI-M5MS-3CON-L180

1530621

<https://www.phoenixcontact.com/us/products/1530621>

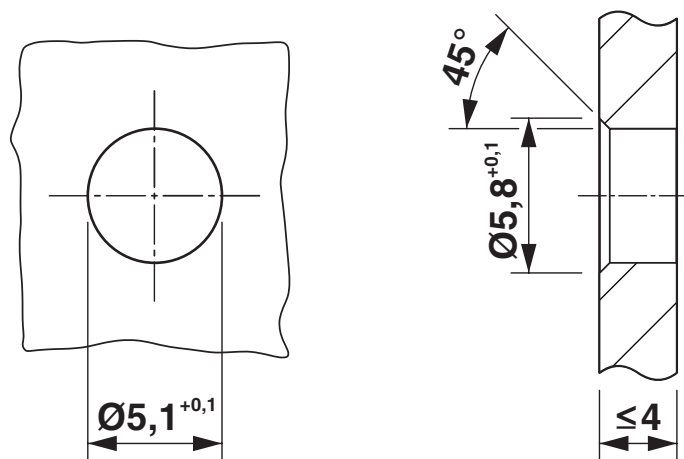
Drawings

Dimensional drawing



M5 flush-type plug

Dimensional drawing

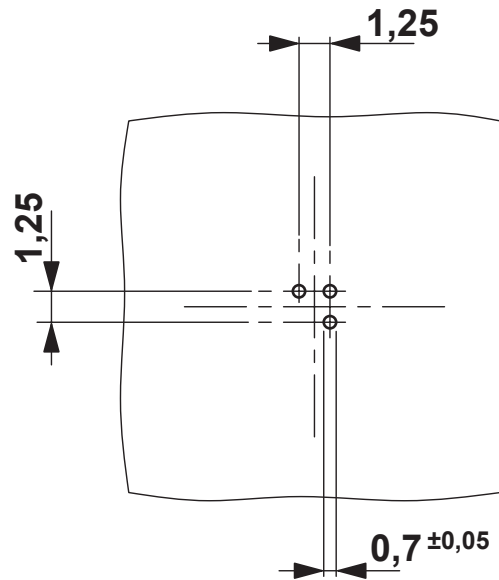


Device connector, rear mounting - SACC-DSI-M5MS-3CON-L180

1530621

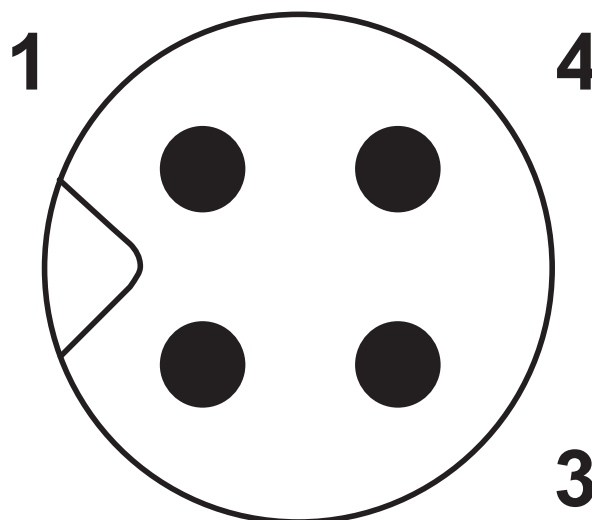
<https://www.phoenixcontact.com/us/products/1530621>

Drilling plan/solder pad geometry



M5 flush-type plug

Schematic diagram



Pin assignment M5 plug, 3-pos., view male side

Device connector, rear mounting - SACC-DSI-M5MS-3CON-L180



1530621

<https://www.phoenixcontact.com/us/products/1530621>

Approvals



EAC

Approval ID: B.01687

Device connector, rear mounting - SACC-DSI-M5MS-3CON-L180



1530621

<https://www.phoenixcontact.com/us/products/1530621>

Classifications

ECLASS

ECLASS-9.0	27440102
ECLASS-10.0.1	27440102
ECLASS-11.0	27440102

ETIM

ETIM 8.0	EC002635
----------	----------

UNSPSC

UNSPSC 21.0	39121400
-------------	----------

Device connector, rear mounting - SACC-DSI-M5MS-3CON-L180



1530621

<https://www.phoenixcontact.com/us/products/1530621>

Environmental Product Compliance

REACH SVHC	Lead 7439-92-1
China RoHS	Environmentally Friendly Use Period = 50 years
	For information on hazardous substances, refer to the manufacturer's declaration available under "Downloads"

Device connector, rear mounting - SACC-DSI-M5MS-3CON-L180



1530621

<https://www.phoenixcontact.com/us/products/1530621>

Accessories

Device connector front mounting

Device connector front mounting - SACC-E-MU-M 5 - 1535901

<https://www.phoenixcontact.com/us/products/1535901>

Flat nut with M5 thread



Phoenix Contact 2022 © - all rights reserved
<https://www.phoenixcontact.com>

Phoenix Contact USA
586 Fulling Mill Road
Middletown, PA 17057, United States
(+717) 944-1300
info@phoenixcon.com