

Connector - ES-BPC-C 16-25 BK



1106307

<https://www.phoenixcontact.com/us/products/1106307>

Please be informed that the data shown in this PDF document is generated from our Online Catalog. Please find the complete data in the user documentation. Our General Terms of Use for Downloads are valid.



Connectors for energy storage, Range of articles: BPC, Connector, color: black, number of positions: 1, min. conductor cross section: 16 mm², max. conductor cross section: 25 mm², rated voltage: 1500, rated current: 120 A, Connection method: Crimp, Type of contact: Socket, min. cable diameter: 7.2 mm, max. cable diameter: 10.7 mm

Your advantages

- Patented design, with 3 proofs and one rotation

Connector - ES-BPC-C 16-25 BK



1106307

<https://www.phoenixcontact.com/us/products/1106307>

Commercial Data

Item number	1106307
Packing unit	1 pc
Minimum order quantity	1 pc
Sales Key	A16
Product Key	ABLDBA
GTIN	4063151003456
Weight per Piece (including packing)	37.67 g
Weight per Piece (excluding packing)	35.78 g
Customs tariff number	85359000
Country of origin	CN

Technical Data

Notes

Safety note

Safety note

- **WARNING:** Commission properly functioning products only. The products must be regularly inspected for damage. Decommission defective products immediately. Replace damaged products. Repairs are not possible.
- **WARNING:** Only electrically qualified personnel may install and operate the product. They must observe the following safety notes. The qualified personnel must be familiar with the basics of electrical engineering. They must be able to recognize and prevent danger. The relevant symbol on the packaging indicates that only personnel familiar with electrical engineering are allowed to install and operate the product.
- **WARNING:** The connectors may not be plugged in or disconnected under load. Ignoring the warning or improper use may damage persons and/or property.
- The products are suitable for applications in plant, controller, and electrical device engineering.
- Assembled products may not be manipulated or improperly opened.
- Only use mating connectors that are specified in the technical data of the standards listed (e.g. the ones listed in the product accessories online at [phoenixcontact.com/products](https://www.phoenixcontact.com/products)).
- When using the product in direct connection with third-party manufacturers, the user is responsible.
- For operating voltages > 50 V AC, conductive connector housings must be grounded
- Ensure that the protective or functional ground has been properly connected.
- Observe the corresponding technical data. You will find information:
 - o On the product
 - o On the packing label
 - o In the supplied documentation
 - o Online at [phoenixcontact.com/products](https://www.phoenixcontact.com/products) under the product
- The installation notes/Design In documents online on the download page at [phoenixcontact.com/products](https://www.phoenixcontact.com/products) must be observed for this product.
- Use a protective cap to protect connectors that are not in use. The suitable accessories are available online in the accessory section of the product at [phoenixcontact.com/products](https://www.phoenixcontact.com/products)
- The connector warms up in normal operation. Depending on the ambient conditions, the surface of the connector can continue to warm up. In this case, the user is responsible for posting warnings (e.g. DIN EN ISO 13732-1:2008-12).
- Operate the connector only when it is fully plugged in and interlocked.
- Ensure that when laying the cable, the tensile load on the connectors does not exceed the upper limit specified in the standards.

Connector - ES-BPC-C 16-25 BK



1106307

<https://www.phoenixcontact.com/us/products/1106307>

• Observe the minimum bending radius of the cable. Lay the cable without twisting it.

Product properties

Product type	Connectors for energy storage
Number of positions	1
Insertion force	≤ 75 N

Insulation characteristics

Degree of pollution	2
---------------------	---

Electrical properties

Rated voltage (III/2)	1500 V DC
Rated current	120 A
	120 A
	120 A
Contact resistance	≤ 5 mΩ
Nominal voltage U_N	1500 V (TUV)

Material specifications

Color	black
Material	Polyamide (Housing)
	CopperSilver (Contact)
	Silicon (Seal)
Flammability rating according to UL 94	V0

Connector

Insertion/withdrawal cycles	100
-----------------------------	-----

Cable / line

Cable structure

External cable diameter	7.2 mm ... 10.7 mm
Single wire, cross section	16 mm ² 25 mm ²
Stripping length of the individual wire	23 mm ±1 mm

Mechanical properties

Cable pull-out force	≥ 10 N
----------------------	--------

Ambient conditions

Halogen-free	yes
--------------	-----

Mechanical properties

Mechanical data

Insertion force	≤ 75 N
Withdrawal force	≥ 10 N

Connector - ES-BPC-C 16-25 BK



1106307

<https://www.phoenixcontact.com/us/products/1106307>

Environmental and real-life conditions

Ambient conditions

Degree of protection	IP65
Degree of protection	IP65
Ambient temperature (operation)	-40 °C ... 115 °C
Ambient temperature (storage/transport)	-40 °C ... 70 °C

Mounting

Assembly instructions	We recommend to use the crimping dies and other crimping devices of Jiangsu Bozhiwang Automation Equipment Co.,Ltd. for cable crimp connection; Address: No. 39 Kun Lun Road, Xin Bei District, Changzhou, Jiangsu Province, China, Email: flacz2020@163.com, die model: BZW-6F
-----------------------	---

Connector - ES-BPC-C 16-25 BK

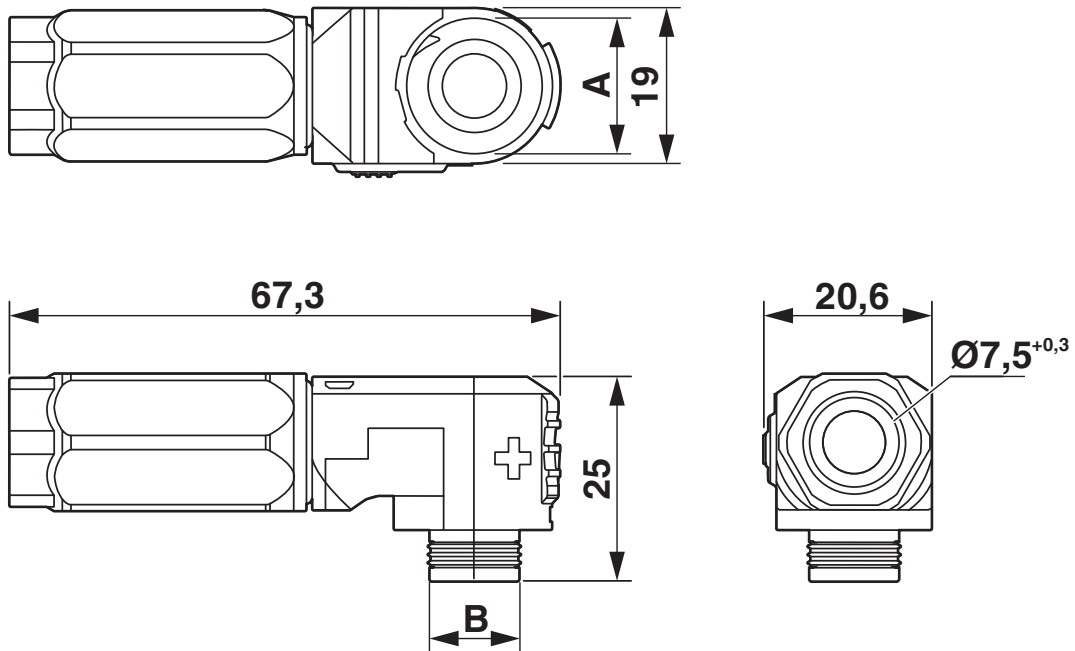


1106307

<https://www.phoenixcontact.com/us/products/1106307>

Drawings

Dimensional drawing



Connector - ES-BPC-C 16-25 BK



1106307

<https://www.phoenixcontact.com/us/products/1106307>

Classifications

ECLASS

ECLASS-9.0	27060308
ECLASS-11.0	27060106

ETIM

ETIM 8.0	EC003250
----------	----------

UNSPSC

UNSPSC 21.0	
-------------	--

Connector - ES-BPC-C 16-25 BK



1106307

<https://www.phoenixcontact.com/us/products/1106307>

Environmental Product Compliance

China RoHS	Environmentally friendly use period: unlimited = EFUP-e No hazardous substances above threshold values
------------	---

Phoenix Contact 2022 © - all rights reserved
<https://www.phoenixcontact.com>

Phoenix Contact USA
586 Fulling Mill Road
Middletown, PA 17057, United States
(+717) 944-1300
info@phoenixcon.com