

Electronic circuit breaker - CAPAROC E2 12-24DC/1-4A



1115655

<https://www.phoenixcontact.com/us/products/1115655>

Please be informed that the data shown in this PDF document is generated from our Online Catalog. Please find the complete data in the user documentation. Our General Terms of Use for Downloads are valid.



2-channel electronic circuit breaker module for protecting 12 and 24 V DC loads against overload and short circuit. Nominal current adjustable from 1 A to 4 A via step switch. For DIN rail installation via the CAPAROC current rails.

Your advantages

- The benchmark that you can customize with convenient nominal current level setting on the module
- Easy operation for everyone through tool-free assembly, uninterrupted installation, and transparent operating state
- Exceptionally easy design-in allows the nominal current to be extended beyond the specified levels via PROFINET

Commercial Data

| | |
|--------------------------------------|---------------|
| Item number | 1115655 |
| Packing unit | 1 pc |
| Minimum order quantity | 1 pc |
| Sales Key | C34 |
| Product Key | CLA233 |
| GTIN | 4063151040567 |
| Weight per Piece (including packing) | 112.3 g |
| Weight per Piece (excluding packing) | 87.6 g |
| Customs tariff number | 85363010 |
| Country of origin | DE |

Electronic circuit breaker - CAPAROC E2 12-24DC/1-4A



1115655

<https://www.phoenixcontact.com/us/products/1115655>

Technical Data

Notes

General

| | |
|------|--|
| Note | LABS release – in accordance with test specification VW PV 3. 10.7:2005-0 |
| | When connecting the conductor, make sure that the CAPAROC modules are not pulled apart due to tensile force. Gaps must not be created between the modules. |

Product properties

| | |
|---------------------|-------------------------|
| Product type | Device circuit breakers |
| Number of positions | 1 |
| No. of channels | 2 |
| Number of slots | 2 |

Insulation characteristics

| | |
|------------------|-----|
| Protection class | III |
| Pollution degree | 2 |

Electrical properties

| | |
|-----------------|---|
| No. of channels | 2 |
|-----------------|---|

General

| | |
|----------------------------------|---|
| Operating voltage | 10 V DC ... 30 V DC |
| Rated voltage | 12 V DC |
| | 24 V DC |
| Rated current I_N | 4 A DC (per channel) |
| Rated current I_N | 1 / 2 / 3 / 4 A DC (Adjustable via rotary coding switches) |
| | 1 / 2 / 3 / 4 A DC (can be set, in RC mode via power module with communication interface) |
| Rated current (pre-adjusted) | 1 A |
| Rated surge voltage | 0.5 kV |
| Tripping method | E (electronic) |
| Feedback resistance | max. 35 V DC |
| Switch-on delay | 50 ms (each channel preset by default) |
| | can be adapted with CAPAROC PM IOL and CAPAROC PM PN power modules |
| Required backup fuse | Only required if I_{max} of the power supply > the short-circuit switching capacity. Integrated failsafe element. |
| Short-circuit switching capacity | 300 A |
| Dielectric strength | 35 V DC (Load circuit) |
| Active current limitation | typ. $2.0 \times I_N$ at $I_N \leq 3$ A |
| | typically $1.5 \times I_N$ at $I_N = 4$ A |
| Fuse | electronic |
| Efficiency | > 99 % |

Electronic circuit breaker - CAPAROC E2 12-24DC/1-4A



1115655

<https://www.phoenixcontact.com/us/products/1115655>

| | |
|------------------------------|---|
| Closed circuit current I_0 | typ. 25 mA (no load at 24 V) |
| Power dissipation | typ. 0.6 W (no load at 24 V) |
| | < 1.1 W (in nominal operation at 24 V and 4 A) |
| Measuring tolerance I | ± 10 % (typ.) |
| MTBF (IEC 61709, SN 29500) | 11364927 h (at 25 °C with 21 % load) |
| | 5271554 h (at 40°C with 34.25% load) |
| | 640731 h (at 65°C with 100% load) |
| Voltage drop | 0.06 V (at 4 A) |
| Fail-safe element | 5 A DC (per output channel) |
| Shutdown time | 5 s (with overload 1.1...1.3 x I_N at $I_N \geq 4$ A) |
| | 5 s (for overload 1.1...1.7 x I_N at $I_N < 4$ A) |
| | ≤ 400 ms (max. 450 ms for high starting currents) |
| | typ. 20 ms (for short circuit > 1,5 x I_N) |
| Undervoltage switch-off | ≤ 8.5 V DC (active) |
| | ≥ 9.2 V DC (inactive) |
| Overvoltage switch-off | ≥ 32.5 V DC (active) |
| | ≤ 30.5 V DC (inactive) |
| Max. capacitive load | ≤ 60000 µF (Depending on the current setting and the short-circuit current available) |

Connection data

Fuse-protected output

| | |
|---|--|
| Connection method | Push-in connection |
| Stripping length | 10 mm |
| Conductor cross section flexible | 0.2 mm ² ... 4 mm ² |
| Conductor cross section solid | 0.2 mm ² ... 4 mm ² |
| Conductor cross section AWG | 24 ... 12 |
| Conductor cross section, flexible, with ferrule, with plastic sleeve | 0.25 mm ² ... 4 mm ² |
| Conductor cross section flexible, with ferrule without plastic sleeve | 0.25 mm ² ... 4 mm ² |

LED signaling

| | |
|--------------------|--|
| Channel LED off | off (Channel switched off) |
| Channel LED yellow | lit (Channel switched on, channel load > 80%) |
| | two flashes (Check the installation, no communication to power module) |
| Channel LED green | lit (Channel switched on) |
| | flashing (Channel switched on, coding switch position is not equal to set value) |
| Channel LED red | lit (Channel switched off, over- or undervoltage active) |
| | ON temporarily (Channel switched off, 5 s cool-down phase, overload or short-circuit release) |
| | flashing (Channel switched off, ready to be switched back on, overload or short-circuit release) |
| | two flashes (Channel switched off, system total current limit exceeded) |

Electronic circuit breaker - CAPAROC E2 12-24DC/1-4A

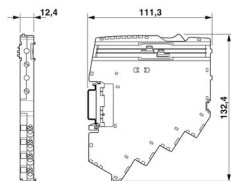


1115655

<https://www.phoenixcontact.com/us/products/1115655>

| | |
|------------------------|--|
| Channel LED red-yellow | flashing (Channel is overloaded and is switched off) |
| Channel LED red-green | flashing (Channel switched off, programming mode active, current adjustment after overload or short-circuit release) |

Dimensions

| | |
|---------------------|--|
| Dimensional drawing |  |
| Width | 12.4 mm |
| Height | 132.4 mm |
| Depth | 111.3 mm (incl. DIN rail 7.5 mm) |

Material specifications

| | |
|--|----------------------|
| Color | light grey RAL 7035 |
| Material | PA 6 (Housing) |
| | PA 6 (Pusher) |
| | PA 6 (Release lever) |
| | PC (Fiber optics) |
| Flammability rating according to UL 94 | V-0 |

Environmental and real-life conditions

Ambient conditions

| | |
|---|--|
| Degree of protection | IP20 |
| Ambient temperature (operation) | -30 °C ... 65 °C (The temperature range of the power module must be taken into consideration) |
| Ambient temperature (storage/transport) | -40 °C ... 70 °C |
| Altitude | ≤ 4000 m (amsl (above mean sea level)) |
| Humidity test | 96 h, 95 % RH, 40 °C |
| Shock (operation) | 30g (11 ms period, half-sine shock pulse, according to IEC 60068-2-27) |
| | 25g (6 ms duration, half-sine shock pulse in accordance with IEC 60068-2-27, continuous shock) |
| Vibration (operation) | 5g (10 ... 150 Hz / 10 cycles / axis / X, Y, Z) |

Approval data

UL approval

| | |
|----------------|----------------------------------|
| Identification | UL/C-UL Listed UL 508 |
| | UL Recognized UL 2367 |
| | NEC Class 2 according to UL 1310 |

Standards and regulations

| | |
|--------------------------|--------------|
| Standards/specifications | EN 61000-6-2 |
|--------------------------|--------------|

Electronic circuit breaker - CAPAROC E2 12-24DC/1-4A



1115655

<https://www.phoenixcontact.com/us/products/1115655>

| | |
|--------------------------|---------------|
| Standards/specifications | EN 61000-6-3 |
| Standards/specifications | EN 60068-2-78 |
| Standards/specifications | EN 50178 |
| Standards/specifications | EN 60068-2-6 |
| Standards/specifications | EN 60068-2-27 |

Mounting

| | |
|---------------|---|
| Mounting type | pluggable onto CAPAROC CR... current rail |
|---------------|---|

Electronic circuit breaker - CAPAROC E2 12-24DC/1-4A



1115655

<https://www.phoenixcontact.com/us/products/1115655>

Drawings

Dimensional drawing



Electronic circuit breaker - CAPAROC E2 12-24DC/1-4A



1115655

<https://www.phoenixcontact.com/us/products/1115655>

Diagram



Tripping characteristic < 4 A

Electronic circuit breaker - CAPAROC E2 12-24DC/1-4A



1115655

<https://www.phoenixcontact.com/us/products/1115655>

Diagram



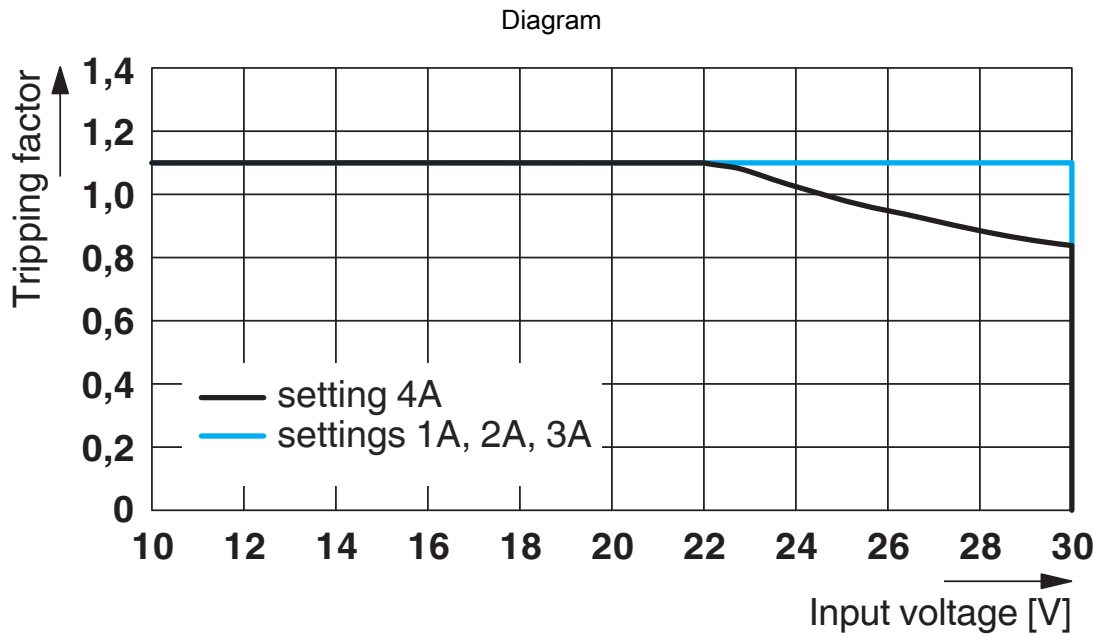
Tripping characteristic 4 A

Electronic circuit breaker - CAPAROC E2 12-24DC/1-4A



1115655

<https://www.phoenixcontact.com/us/products/1115655>



Tripping characteristic according to the input voltage

Electronic circuit breaker - CAPAROC E2 12-24DC/1-4A



1115655

<https://www.phoenixcontact.com/us/products/1115655>

Approvals



UL Recognized

Approval ID: FILE E 317172



UL Listed

Approval ID: FILE E 123528



cUL Listed

Approval ID: FILE E 123528

cULus Listed

Electronic circuit breaker - CAPAROC E2 12-24DC/1-4A



1115655

<https://www.phoenixcontact.com/us/products/1115655>

Classifications

ECLASS

| | |
|---------------|----------|
| ECLASS-9.0 | 27141116 |
| ECLASS-10.0.1 | 27140401 |
| ECLASS-11.0 | 27140401 |

ETIM

| | |
|----------|----------|
| ETIM 8.0 | EC003538 |
|----------|----------|

UNSPSC

| | |
|-------------|----------|
| UNSPSC 21.0 | 39121400 |
|-------------|----------|

Electronic circuit breaker - CAPAROC E2 12-24DC/1-4A



1115655

<https://www.phoenixcontact.com/us/products/1115655>

Environmental Product Compliance

REACH SVHC

Lead 7439-92-1

Electronic circuit breaker - CAPAROC E2 12-24DC/1-4A



1115655

<https://www.phoenixcontact.com/us/products/1115655>

Mandatory Accessories

Busbar

Busbar - CAPAROC CR 20 - 1110989

<https://www.phoenixcontact.com/us/products/1110989>

Busbar for CAPAROC system with 20 slots. For installation on a DIN rail.



Busbar

Busbar - CAPAROC CR 8 - 1115672

<https://www.phoenixcontact.com/us/products/1115672>

Busbar for the CAPAROC system with 8 slots. For installation on a DIN rail.



Electronic circuit breaker - CAPAROC E2 12-24DC/1-4A



1115655

<https://www.phoenixcontact.com/us/products/1115655>

Power module

Power module - CAPAROC PM S-R - 1115661

<https://www.phoenixcontact.com/us/products/1115661>



Power module with status output and reset input for supplying the CAPAROC circuit breaker system with 12 or 24 V DC. For DIN rail installation via the CAPAROC current rails.

Power module

Power module - CAPAROC PM PN - 1110986

<https://www.phoenixcontact.com/us/products/1110986>



Power module with PROFINET interface for supplying the CAPAROC circuit breaker system with 12 or 24 V DC. Additional system interface for communication with the power supply. For DIN rail installation via the CAPAROC current rails.

Accessories

Electronic circuit breaker - CAPAROC E2 12-24DC/1-4A



1115655

<https://www.phoenixcontact.com/us/products/1115655>

Potential distributors

Potential distributors - CAPAROC PD 0V - 1110987

<https://www.phoenixcontact.com/us/products/1110987>



Potential distributor with Push-in connections for directly connecting the 0 V return conductor in the CAPAROC system. For DIN rail installation via the CAPAROC current rails.

Marker for terminal blocks

Marker for terminal blocks - UC-TMF 6 - 0818140

<https://www.phoenixcontact.com/us/products/0818140>



Marker for terminal blocks, Sheet, white, unlabeled, can be labeled with: BLUEMARK ID COLOR, BLUEMARK ID, BLUEMARK CLED, PLOTMARK, CMS-P1-PLOTTER, mounting type: snapped, for terminal block width: 6.2 mm, lettering field size: 5.6 x 5.1 mm, Number of individual labels: 80

Electronic circuit breaker - CAPAROC E2 12-24DC/1-4A



1115655

<https://www.phoenixcontact.com/us/products/1115655>

Marker for terminal blocks

Marker for terminal blocks - UCT-TMF 6 - 0828746

<https://www.phoenixcontact.com/us/products/0828746>



Marker for terminal blocks, Sheet, white, unlabeled, can be labeled with: TOPMARK NEO, TOPMARK LASER, BLUEMARK ID COLOR, BLUEMARK ID, BLUEMARK CLED, THERMOMARK PRIME, THERMOMARK CARD 2.0, THERMOMARK CARD, mounting type: snapped, for terminal block width: 6.2 mm, lettering field size: 5.4 x 4.7 mm, Number of individual labels: 60

Marker for terminal blocks

Marker for terminal blocks - UC-TM 12 - 0819194

<https://www.phoenixcontact.com/us/products/0819194>



Marker for terminal blocks, Sheet, white, unlabeled, can be labeled with: BLUEMARK ID COLOR, BLUEMARK ID, BLUEMARK CLED, PLOTMARK, CMS-P1-PLOTTER, mounting type: snapped, for terminal block width: 12 mm, lettering field size: 11.45 x 10.5 mm, Number of individual labels: 40

Electronic circuit breaker - CAPAROC E2 12-24DC/1-4A



1115655

<https://www.phoenixcontact.com/us/products/1115655>

Marker for terminal blocks

Marker for terminal blocks - UCT-TM 12 - 0829144

<https://www.phoenixcontact.com/us/products/0829144>



Marker for terminal blocks, Sheet, white, unlabeled, can be labeled with: TOPMARK NEO, TOPMARK LASER, BLUEMARK ID COLOR, BLUEMARK ID, BLUEMARK CLED, THERMOMARK PRIME, THERMOMARK CARD 2.0, THERMOMARK CARD, mounting type: snapped, for terminal block width: 12 mm, lettering field size: 10.8 x 9.6 mm, Number of individual labels: 30

Busbar

Busbar - CAPAROC CR EXT20 - 1115674

<https://www.phoenixcontact.com/us/products/1115674>



Extension busbar with 20 slots for the CAPAROC system. For installation on a DIN rail.

Electronic circuit breaker - CAPAROC E2 12-24DC/1-4A

1115655

<https://www.phoenixcontact.com/us/products/1115655>

Busbar

Busbar - CAPAROC CR EXT8 - 1110990

<https://www.phoenixcontact.com/us/products/1110990>



Extension busbar with 8 slots for CAPAROC system. For installation on a DIN rail.

Busbar

Busbar - CAPAROC CR EXT4 - 1110991

<https://www.phoenixcontact.com/us/products/1110991>



Extension busbar with 4 slots for the CAPAROC system. For installation on a DIN rail.

Electronic circuit breaker - CAPAROC E2 12-24DC/1-4A



1115655

<https://www.phoenixcontact.com/us/products/1115655>

Metal part

Metal part - CAPAROC CR CON - 1270955

<https://www.phoenixcontact.com/us/products/1270955>



Metal extension rails from connecting CAPAROC initial busbars.

Phoenix Contact 2022 © - all rights reserved

<https://www.phoenixcontact.com>

Phoenix Contact USA
586 Fulling Mill Road
Middletown, PA 17057, United States
(+717) 944-1300
info@phoenixcon.com