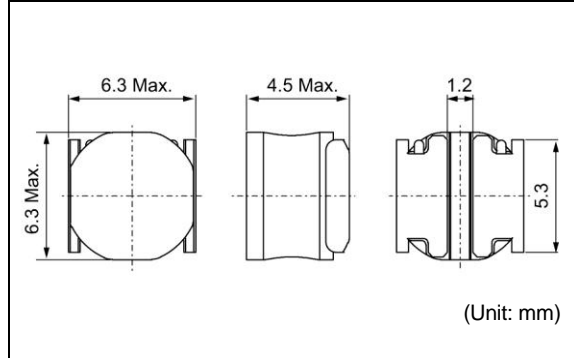


DG6045C

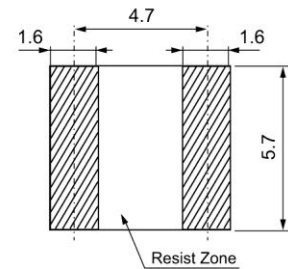
RoHS

REACH

Inductance Range: 1.0~100μH



Recommended patterns
推荐焊盘尺寸



(Unit: mm)

FEATURES 特点

- Low Profile (H=4.5mm Max).
- Magnetic Shield.
- Ideal for a variety of DC-DC converter inductor applications.
- Operating temperature range : -40~+85°C
- 小型薄型构造 (高度4.5mm max.)
- 闭磁路构造
- 最适用于各种设备的DC-DC Converter 中
- 使用温度范围: -40~+85°C

STANDARD PART NUMBERS 标准零件号码

TYPE DG6045C (Quantity/reel; 1500 PCS)

零件号码	电感值	公差	测试频率	直流电阻	最大允许直流电流(典型)	
Part Number	Inductance L(μH)	Tolerance (%)	Test Frequency (kHz)	DC Resistance (mΩ) Max. (Typ.)	Rated DC Current (A) Max. (Typ.)	
					ΔL/L=30%	ΔT=40[°C]
1255AY-1R0N=P3	1.0	±30	100	12.0 (10)	9.5(13)	6.5(8.1)
1255AY-1R2N=P3	1.2	±30	100	14.4 (12)	8.4 (11)	5.9 (7.4)
1255AY-1R8N=P3	1.8	±30	100	16.8 (14)	6.8 (9.1)	5.3 (6.6)
1255AY-2R2N=P3	2.2	±30	100	19.2 (16)	6.3 (8.4)	4.7 (5.9)
1255AY-2R7N=P3	2.7	±30	100	21.6 (18)	5.6 (7.5)	4.6 (5.7)
1255AY-3R3N=P3	3.3	±30	100	25.2 (21)	5.2 (6.9)	4.4 (5.5)
1255AY-3R9N=P3	3.9	±30	100	26.4 (22)	4.7 (6.3)	4.2 (5.2)
1255AY-4R7M=P3	4.7	±20	100	27.6 (23)	4.5 (6.0)	4.0 (4.7)
1255AY-6R8M=P3	6.8	±20	100	43.2 (36)	3.6 (4.8)	3.4 (4.2)
1255AY-100M=P3	10	±20	100	56.4 (47)	3.1 (4.1)	2.9 (3.6)
1255AY-150M=P3	15	±20	100	75.6 (63)	2.5 (3.3)	2.4 (3.0)
1255AY-220M=P3	22	±20	100	117.6 (98)	2.0 (2.7)	1.9 (2.4)
1255AY-270M=P3	27	±20	100	162.0 (135)	1.8 (2.4)	1.8 (2.1)
1255AY-330M=P3	33	±20	100	174.0 (145)	1.7 (2.2)	1.5 (1.9)
1255AY-470M=P3	47	±20	100	252.0 (210)	1.4 (1.9)	1.3 (1.6)
1255AY-680M=P3	68	±20	100	372.0 (310)	1.2 (1.6)	1.0 (1.3)
1255AY-101M=P3	100	±20	100	552.0(460)	0.9 (1.2)	0.9 (1.1)

- (1) Inductance is measured with a LCR meter 4284A (Agilent Technologies) or equivalent.
Test frequency at 100kHz
- (2) DC resistance is measured with 34420A (Agilent Technologies) or 3541(HIOKI). (Reference ambient temperature 25°C)
- (3) Maximum allowable DC current is that which causes a 30% inductance reduction from the initial value, or coil temperature to rise by 40°C, whichever is smaller. (Reference ambient temperature 20°C)

- (1) LCR仪表4284A (Agilent技术)或者功能相同的仪器在100kHz下测试电感值。
- (2) 通过数码万用表34420A (Agilent技术) 或者3541(HIOKI)测试直流电阻。(环境温度为25°C)
- (3) 允许最大直流电的范围是以下两者中比较小的一个: 引起电感值从最初值降低30%, 或者线圈温度升高40°C。(参考周围环境温度20°C)。

Mouser Electronics

Authorized Distributor

Click to View Pricing, Inventory, Delivery & Lifecycle Information:

Murata:

[1255AY-470M=P3](#) [1255AY-1R8N=P3](#) [1255AY-330M=P3](#) [1255AY-2R2N=P3](#) [1255AY-220M=P3](#) [1255AY-4R7M=P3](#)

[1255AY-1R0N=P3](#) [1255AY-100M=P3](#) [1255AY-150M=P3](#) [1255AY-3R3N=P3](#) [1255AY-2R7N=P3](#) [1255AY-270M=P3](#)

[1255AY-680M=P3](#) [1255AY-101M=P3](#)