

**PLEASE CHECK WWW.MOLEX.COM FOR LATEST PART INFORMATION**

**Part Number:** [1300680039](#)  
**Status:** **Active**  
**Overview:** BradPower Cordsets and Receptacles  
**Description:** BradPower D-Size (1 3/8"-M35) 3-Pole Reducing Tee, with 3-Pole BradPower A-Size (7/8"-M22) Drop Cable, Length 1.0m Cable, 16 AWG

**Documents:**

[Drawing \(PDF\)](#) [RoHS Certificate of Compliance \(PDF\)](#)

**Agency Certification**

UL E258922

**General**

Product Family Industrial Tees and Splitters  
 Series [130068](#)  
 IP Rating IP67  
 Overview [BradPower Cordsets and Receptacles](#)  
 Product Name BradPower D-Size  
 Type Power Tap Tee  
 UPC 78678802494

**Physical**

Color - Cable Jacket Gray  
 Drop Connector BradPowerA-Size (7/8"-M22)  
 Drop Gender Female  
 Keyway Single  
 Left Trunk Connector BradPower D-Size (1 3/8"-M35)  
 Left Trunk Gender Female  
 Leg 1 Length N/A  
 Leg 2 Length N/A  
 Material - Cable Jacket PVC  
 Material - Connector Body PVC  
 Material - Coupling Nut Anodized Aluminum  
 Poles 3  
 Right Trunk Connector BradPower D-Size (1 3/8"-M35)  
 Right Trunk Gender Male  
 Temperature Range - Operating -20°C to +90°C

**Electrical**

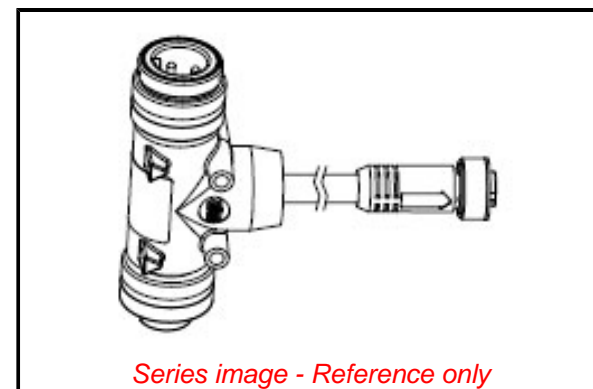
Current - Maximum per Contact 13.0A, 30.0A  
 Voltage - Maximum 600V AC/DC

**Material Info**

Engineering Number TC30200A45M010

**Reference - Drawing Numbers**

Sales Drawing SD-130068-013-001



*Series image - Reference only*

**EU ELV**

**Not Relevant**

**EU RoHS**

**Not Reviewed**

**REACH SVHC**

Not Reviewed

**Halogen-Free**

**Status**

**Not Reviewed**

For more information, please visit [Contact US](#)

China ROHS

Not Reviewed

ELV

Not Relevant

RoHS Phthalates

Not Reviewed

**China RoHS**

**Search Parts in this Series**

[130068 Series](#)