



Industrial  
Rectangular Connectors



## INTRODUCTION



# Industrial Rectangular Connectors

Molex's line of industrial rectangular connectors offers unique designs and user-friendly features. These connectors have been designed for rugged industrial applications and offer advantages such as space savings and modularity for maximum design flexibility.

The industrial rectangular connector line consists of three sub-families:

- HMC (single and multi-module types)
- Mini-HMC
- CRC (Compact Robotic Connectors)

## HMC™ Mini-HMC™ CRC™ (Compact Robotic Connectors)

## FEATURES AND BENEFITS

### HMC/Mini-HMC

- Unique rounded-shape metal hood with single action lock for space savings and easy handling
- Easy removal of terminal housings for fast and easy field servicing
- Single or multi-module type (HMC only) for maximum design flexibility
- Die cast covers and shells protect the inner housing from damage resulting from rough handling
- Flexible housing configurations enable various configurations for power and signal applications

### CRC

- Compact design takes up approximately 1/15th the space of industry-standard heavy duty connectors
- Space savings and full shielding meet the requirements found in various industrial and clean-room applications
- Simplified kit ordering makes managing assembly and inventory easy

- Receptacle shells available for front or rear panel mount to accommodate any application
- Audible and tactile clicks on insertion to facilitate reliable mating

## APPLICATIONS

### HMC

Industrial robotics  
Transportation equipment  
Power generation

### Mini-HMC

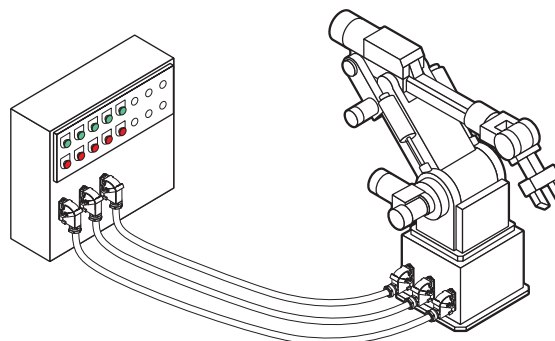
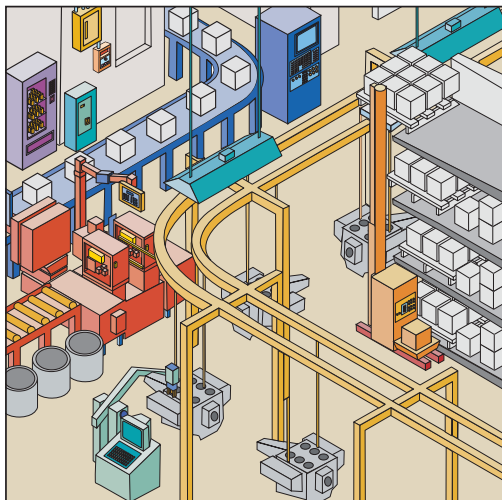
Semiconductor/LCD manufacturing equipment  
Machinery  
Industrial controls  
Small robots

### CRC

Small robots  
Industrial equipment  
Medical equipment  
Instrumentation  
Control boxes

## CHOOSING YOUR RECTANGULAR CONNECTOR

	CRC (p. 3-7)		Mini-HMC (p. 9-10)	HMC (Single-module Type) (p. 11-14)			HMC™ (Multi-module Type) (p. 15-19)		
<b>Max. Number of Circuits</b>	4	12, 20, 30 and 50	40	12	40	52	36	48	72
<b>Max. Current (per circuit)</b>	15.0A	7.0A	7.0A	35.0A (10 circuits) 10.0A (2 circuits)	10.0A	10.0A	15.0A	20.0A	12.0A
<b>Wire Range (AWG)</b>	14-18	18-28	18-28	10-26	16-26	16-26	16-28	14-16	16-28





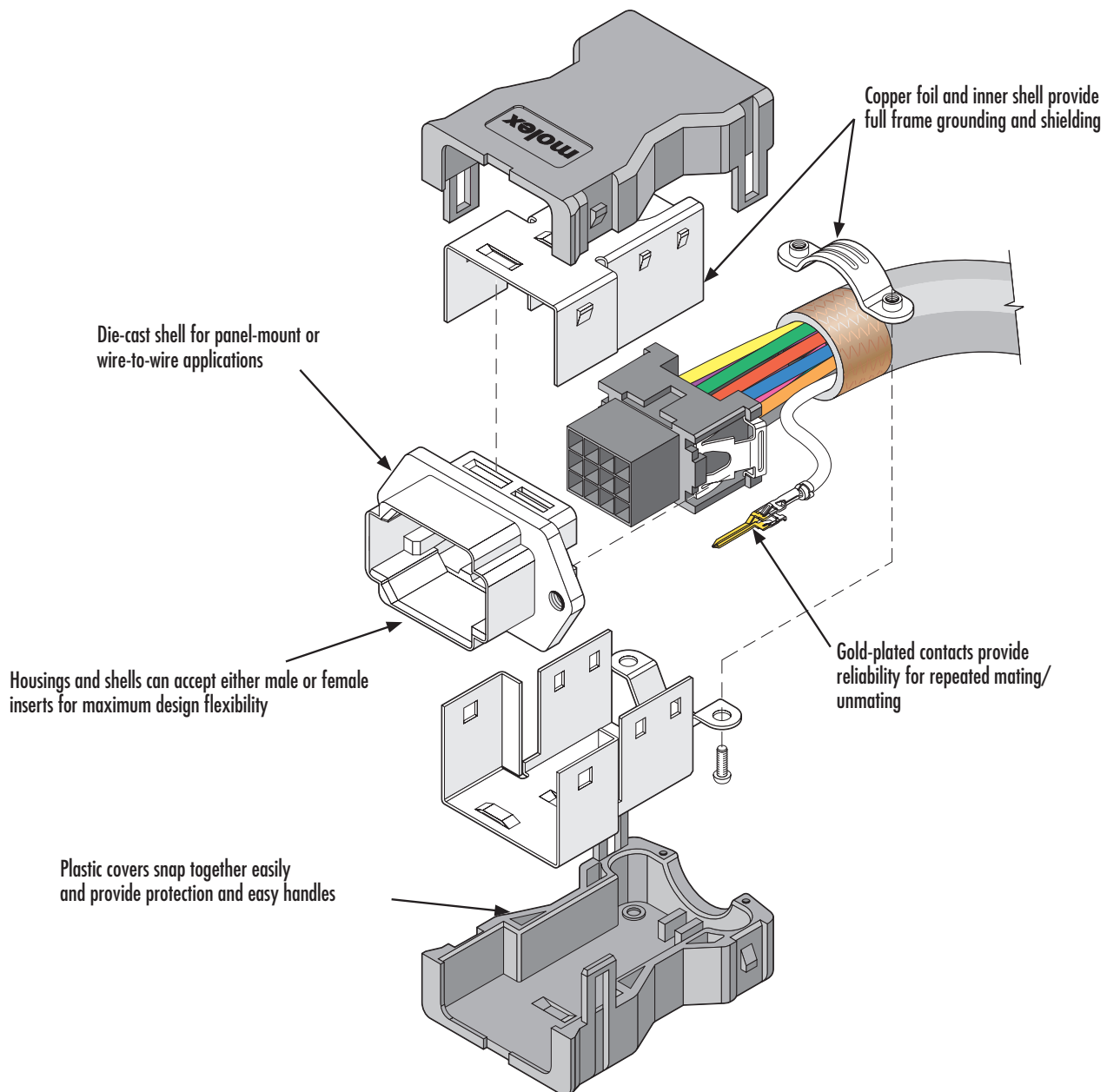
# Industrial Rectangular Connectors

## CRC™ (Compact Robotic Connectors)

Molex's CRC rectangular I/O connector system provides a compact solution for today's small industrial robots and factory automation equipment. This panel-mount system takes up only about 1/15th the space of industry-standard heavy-duty connectors. The connector system was designed to meet the space savings and shielding requirements found in various industrial and clean-room applications.

Modular CRC terminal housings can be easily snapped into panel-mount shells without any tools making field installation and maintenance fast and easy. Crimp termination saves additional costs and simplifies wiring.

CRC connectors are delivered in kit form for easy assembly and only one part number to inventory. Housings and shells can accept either male or female inserts for maximum design flexibility.



## FEATURES AND SPECIFICATIONS



### CRC™ Shielded Rectangular I/O Male Power Terminal

#### Features and Benefits

- Tab-style contact design provides low insertion force and secure electrical contact
- Locking tang secures terminal in housing

#### Reference Information

Packaging: Reel or Bag  
Mates With: 56194  
Use With: 55887, 55890  
Designed In: Millimeters

#### Electrical

Current: 15.0A max.  
Contact Resistance:  
Terminal-to-Terminal — 10 milliohms max

#### Physical

Contact: Brass  
Plating:  
Contact Area — Gold  
Crimp Area — Tin  
Underplating — Nickel  
Wire Range: 14 to 18 AWG (UL 1015)

**56193**



Order No.		Wire Range (AWG)	Max. Wire Insulation Dia. mm (In.)	Pin Length
Strip	Loose			
56193-4028	56193-4128	14-18	3.80 (.150)	Standard

Note: Sales drawings and product specifications available at [www.molex.com](http://www.molex.com)

## FEATURES AND SPECIFICATIONS



### CRC™ Shielded Rectangular I/O Male Terminal

#### Features and Benefits

- Longer length can be used to provide first mate/last break connection
- Three-point contact design provides a redundant electrical interface
- Locking tangs secure terminal in housing

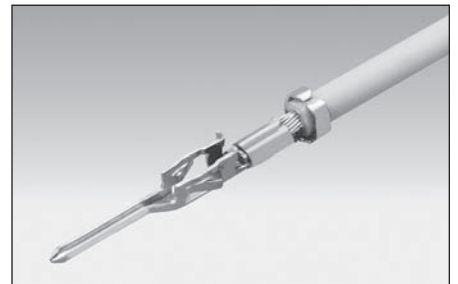
#### Reference Information

Packaging: Reel or bag  
Mates With: 56120 and 56121  
Use With: 55836, 51233

#### Physical

Contact: Phosphor Bronze  
Plating:  
Contact Area — Gold  
Crimp Area — Tin  
Underplating — Nickel  
Wire Range: See table

**56116/56117/  
56118/56119**  
**Sequential Type (FMLB)**



#### Electrical

Current: 7.0A max.  
Contact Resistance:  
Terminal-to-Terminal — 10 milliohms max.

Order No.		Wire Range (AWG)	Max. Wire Insulation Dia. mm (In.)	Pin Length
Strip	Loose			
56119-8228	56119-8328	18-22	2.20 (.09)	Standard
56117-8228	56117-8328			Long
56118-8228	56118-8328	24-28	1.60 (.06)	Standard
56116-8228	56116-8328			Long

Note: Sales drawings and product specifications available at [www.molex.com](http://www.molex.com)

## FEATURES AND SPECIFICATIONS



### CRC™ Shielded Rectangular I/O Female Power Terminal

**56194**



#### Features and Benefits

- For power applications
- Locking tang secures terminal in housing

#### Reference Information

Packaging: Reel or Bag  
Mates With: 56193  
Use With: 51300 and 51301  
Designed In: Millimeters

#### Electrical

Voltage: 250V  
Current: 15.0A max.  
Contact Resistance: Terminal-to-Terminal —  
10 milliohms max.

#### Physical

Contact: Copper Alloy  
Plating: Contact Area: Gold  
Crimp Area: Tin  
Underplating: Nickel  
Wire Range: 14 to 18 AWG (UL 1015)  
Strip Length: 3.70 to 4.10mm (.146 to .161")

Order No.		Wire Range (AWG)	Max. Wire Insulation Diameter mm (In)	Insertion Force
Strip	Loose			
56194-9028	56194-9128	14-18	3.80 (.150)	Normal

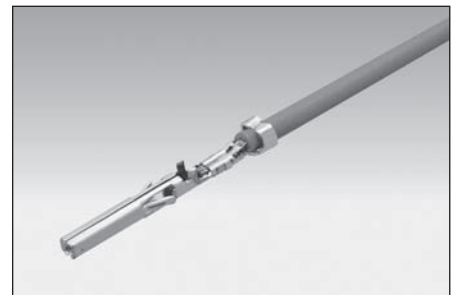
Note: Sales drawings and product specifications available at [www.molex.com](http://www.molex.com)

## FEATURES AND SPECIFICATIONS



### CRC™ Shielded Rectangular I/O Female Terminal

**56120/56121**



#### Features and Benefits

- Longer length can be used to provide first mate/ last break connection
- Locking tangs secure terminal in housing

#### Reference Information

Packaging: Reel or Bag  
Mates With: 56120 and 56121  
Use With: 54332, 51238

#### Physical

Contact: Phosphor Bronze  
Plating:  
Contact Area - Gold  
Crimp Area - Tin  
Underplating - Nickel  
Wire Range: See table

#### Electrical

Current: 7.0A max.  
Contact Resistance:  
Terminal-to-Terminal — 10 milliohms max.

Order No.		Wire Range (AWG)	Max. Wire Insulation Diameter mm (In)	Insertion Force
Strip	Loose			
56121-8428	56121-8528	18-22	2.20 (.09)	Normal
56121-8628	56121-8728			Low
56120-8428	56120-8528	24-28	1.60 (.06)	Normal
56120-8628	56120-8728			Low

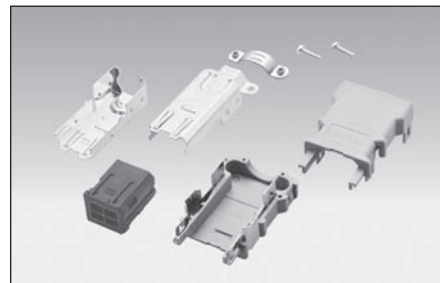
Note: Sales drawings and product specifications available at [www.molex.com](http://www.molex.com)

## FEATURES AND SPECIFICATIONS



# CRC™ Shielded Rectangular I/O Plug Assembly Kit

**55887/51297**  
**54332/55836**



### Features and Benefits

- Side latches provide easy mating and audible “click” to confirm mating
- Kit packaging provides simplified ordering, assembly and inventory\*

### Reference Information

Packaging: Bag

Mates With:

4 Circuits — 55890, 51300

12-50 Circuits — 51233, 51238

Designed In: Millimeters

### Electrical

Voltage: 250V

Current: See table

Contact Resistance:

Terminal-to-Terminal — 10 milliohms max.

Shell-to-Shell — 50 milliohms max.

Dielectric Withstanding Voltage: 1500V AC/1 min.

Insulation Resistance: 1000 Megohms min.

### Physical

Terminal Housing: PBT, Black, UL 94V-0

Plastic Covers: Polycarbonate, Gray, UL 94V-0

Spring Latch: Stainless Steel

Metal Shells: Phosphor Bronze, nickel plate

Cable Clamp: Stainless Steel

Screws: M2.5, Steel

Operating Temperature: -40 to +105°C

Order No.		Max. Number of Circuits	Total Max. Current (A)
Male	Female		
55887-0471	51297-0471	4	50.0
55836-1270	54332-1270	12	48.0
55836-2070	54332-2070	20	70.0
55836-3070	54332-3070	30	90.0
55836-5001	54332-5001	50	125.0

\*Assembly kit includes terminal housing (1); shell body (1); shell cover (1); cable clamp (1); cross-recessed head screw (2); cover A (1); cover B (1)

Note: Sales drawings and product specifications available at [www.molex.com](http://www.molex.com)

## FEATURES AND SPECIFICATIONS



## CRC™ Shielded Rectangular I/O Panel Mount Receptacle Shell

**56377**



### Features and Benefits

- Accepts male or female receptacle housings
- “One-touch” spring lock enables housing to be easily removed for field servicing
- Front and rear panel-mount options
- Side locks provide full frame grounding and audible “click” to confirm mating
- Rugged metal shell provides protection and shielding

### Reference Information

Packaging: Tray  
Use With: 55890, 51300, 51233, 51238  
Designed In: Millimeters

### Physical

Material: Zinc Alloy, Nickel plating  
Operating Temperature: -40 to +105°C

Order No.		Max. Number of Circuits
Rear Mount	Front Mount	
56377-1201	56377-1200	4
56377-2001	56377-2000	12
56377-3001	56377-3000	20
56377-5001	56377-5000	30
		50

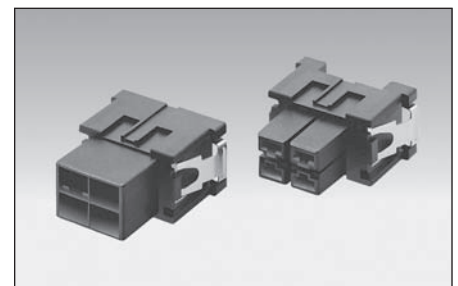
Note: Sales drawings and product specifications available at [www.molex.com](http://www.molex.com)

## FEATURES AND SPECIFICATIONS



## CRC™ Shielded Rectangular I/O Receptacle Housing

**55890/51300/  
51233/51238**



### Features and Benefits

- Two styles to accept male or female terminals
- Can be used in panel-mount or wire-to-wire applications
- Side locks provide full frame grounding and audible “click” to confirm mating
- “One-touch” spring lock enables easy housing insertion and extraction for field servicing
- Fully shrouded to protect terminals

### Electrical

Voltage: 250V  
Current: See table  
Contact Resistance: Shell-to-Shell: 50 milliohms max.  
Dielectric Withstanding Voltage: 1500V AC/1 min.  
Insulation Resistance: 1000 Megohms min.

### Physical

Housing: PBT, Black, UL 94V-0  
Spring: Stainless steel  
Operating Temperature: -40 to +105°C

### Reference Information

Packaging: Tray  
Mates With: 55887, 51297, 55836, 54332  
Use With: 56377  
Designed In: Millimeters

Order No.		Max. Number of Circuits	Total Max. Current (A)
Male	Female		
55890-0411	51300-0411	4	50.0
51233-1211	51238-1211	12	48.0
51233-2011	51238-2011	20	70.0
51233-3011	51238-3011	30	90.0
51233-5011	51238-5011	50	125.0

Note: Sales drawings and product specifications available at [www.molex.com](http://www.molex.com)



# HMC™ and Mini-HMC™ Rectangular Industrial Connector System

The HMC and Mini-HMC have been designed with many features that make them unique and an ideal connector for many applications requiring a rugged, high pin count solution. The crescent-shaped metal hoods provide space savings and easy handling. A spring lock enables the lever to be easily engaged and held firmly in place for a secure connection when parts are mated. Terminal housings are inserted and removed from the back side of the plug and receptacle shells, providing a cost savings on back side harnessing. The terminal housings also include a

unique locking feature that eliminates the need for screws, special hardware or tools during installation or removal. Both connector systems are environmentally sealed with an IP65 rating to prevent the ingress of dust and water when mated.

The HMC is available in single- or multi-module type, and the Mini-HMC is multi-module type only. The multi-module type accommodates several housing configurations for maximum flexibility, while the single module type HMC can simplify inventory when multiple configurations may not be necessary.

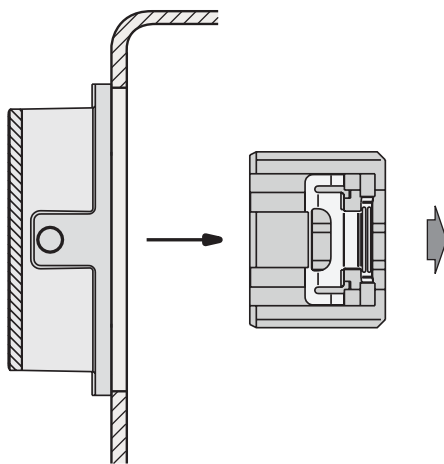
To make a fully mated HMC or Mini-HMC connection, the following components are required:

**Plug (cable mount):**

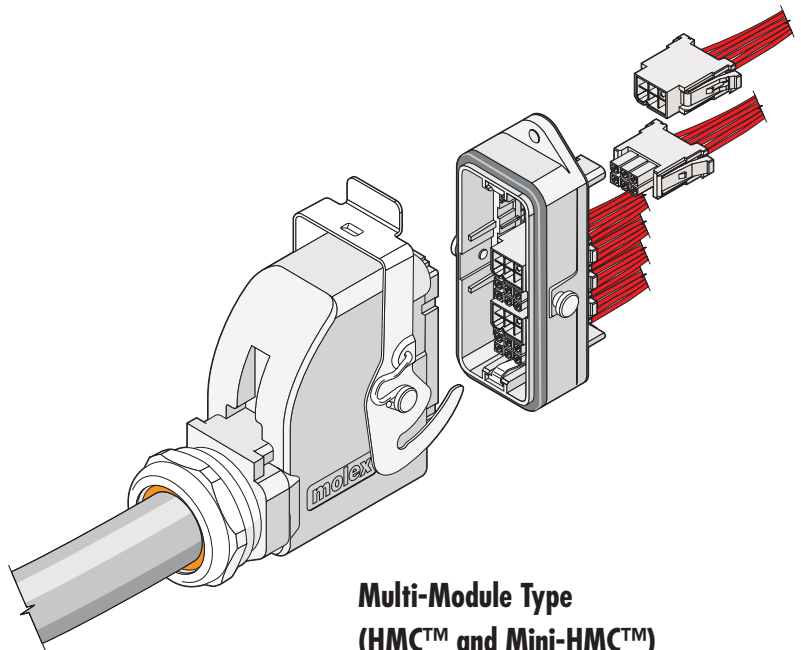
- Male or female crimp terminals
- Male or female terminal housing
- Plug shell assembly
- Plug cover
- End bell cap assembly

**Receptacle (cable or panel mount):**

- Male or female crimp terminals
- Male or female terminal housing
- Receptacle shell assembly
- Receptacle cover (for cable mount configuration)
- End bell cap assembly (for cable mount configuration)



**Single-Module Type  
(HMC™)**



**Multi-Module Type  
(HMC™ and Mini-HMC™)**

## FEATURES AND SPECIFICATIONS



### Mini-HMC™ Rectangular Industrial Connector System Terminal Housing

**500812, 500813**

#### Features and Benefits

- Can be used with plug or receptacle shell assemblies for design flexibility
- "One touch" lock and removable housings simplify assembly
- Utilizes the same terminals as CRC connectors
- Ideal for smaller industrial robotic applications

#### Reference Information

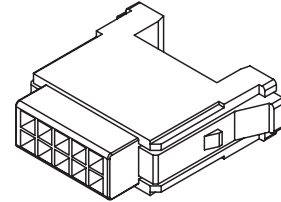
Packaging: Bag  
 Mates With: 500812 mates with 500813  
 Use With: See table  
 Flammability: UL 94V-0

#### Physical

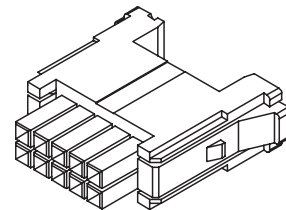
Material: Glass-filled Nylon, Natural, UL 94V-0  
 Durability: 50 cycles  
 Contact Retention Force: 24.5N  
 Contact Insertion Force: 14.7N  
 Operating Temperature: -55 to +105°C

#### Electrical

Voltage: 250V  
 Dielectric Withstand Voltage: 1500V AC/1 minute  
 Insulation Resistance: 1000 Megohms min.



Male Housing



Female Housing

Order No.	Gender	Use With	Max. Number of Circuits
500812-1000	Male	56118, 56119	10
500813-1000	Female	56120, 56121	

Note: Sales drawings and product specifications available at [www.molex.com](http://www.molex.com)

## FEATURES AND SPECIFICATIONS



### Mini-HMC™ Rectangular Industrial Connector System Shell Assembly

**500809, 500810**

#### Features and Benefits

- Provides the ruggedness of traditional heavy duty connectors in a smaller form factor
- "One touch" lock and removable housings
- Ideal for smaller industrial robotic applications

#### Reference

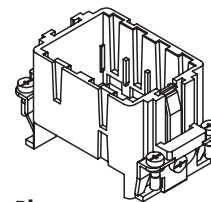
Packaging: Bag  
 Mates With: 500809 mates with 500810  
 Use With: 500812, 500813

#### Physical

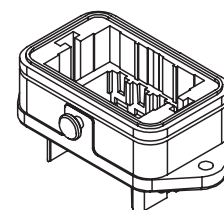
Shell: Aluminum Alloy, nickel plate  
 Ground Terminal: Brass, nickel plate  
 Head Screws: Steel  
 Durability: 50 cycles  
 Operating Temperature: -55 to +105°C

#### Electrical

Voltage: 250V



Plug



Receptacle

Order No.	Type	Max. Number of Circuits
500810-0000	Plug	40 (fully loaded)
500809-0000	Receptacle	

Note: Sales drawings and product specifications available at [www.molex.com](http://www.molex.com)

## FEATURES AND SPECIFICATIONS



### Mini-HMC™ Rectangular Industrial Connector System Plug Cover Assembly

#### Features and Benefits

- Provides the ruggedness of traditional heavy duty connectors in a smaller form factor
- Ideal for smaller industrial robotic applications

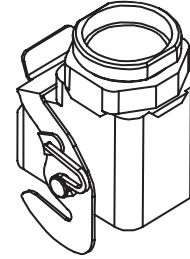
#### Reference

Packaging: Bag  
Use With: 500810, 58550

#### Physical

Material: Aluminum Alloy, Nickel plate  
Cover Lock Pin: Stainless Steel  
Lever Spring: Stainless Steel  
Durability: 50 cycles  
Operating Temperature: -55 to +105°C

**500811**



Order No.
500811-0010

Note: Sales drawings and product specifications available at [www.molex.com](http://www.molex.com)

## FEATURES AND SPECIFICATIONS



### Mini-HMC™ Rectangular Industrial Connector System End Bell Cap Assembly

#### Features and Benefits

- Removable cable cap provides wire organization and protection
- PVC cable gland protects against water and contaminant ingress around cable
- Cable gland comes in multiple sizes depending on cable outside diameter accommodating a wide range of cable types
- Cable glands are color coded for easy identification during assembly

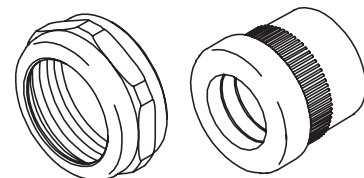
#### Reference

Packaging: Bag  
Use With: 500811

#### Physical

Cable Cap: Brass, nickel plate  
Cable Gland: PVC  
Operating Temperature: -55 to +105°C

**58550**



Order No.	Cable Diameter mm (In.)	Cable Gland
58550-0000	14-18 (0.55-0.71)	Blue
58550-0001	17-22 (0.67-0.83)	Brown
58550-0002	20-25 (0.79-0.98)	Orange
58550-0003	24-28 (0.94-1.10)	Yellow

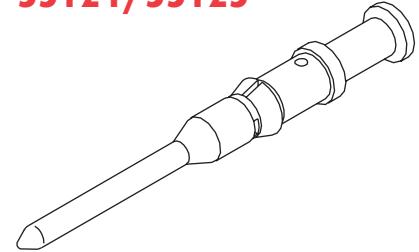
Note: Sales drawings and product specifications available at [www.molex.com](http://www.molex.com)

## FEATURES AND SPECIFICATIONS



### HMC™ Rectangular Industrial Connector System Single-Module Type Male Crimp Terminal

**55124/55125**



#### Features and Benefits

- Can be used for signal, power or grounding applications
- Long contact area maximizes contact area and contact wipe
- Molded spring-lock retainer provides secure terminal retention
- Retainers are color coded for easy identification

#### Reference Information

Packaging: Bag  
Mates With: 55124 mates with 54296  
55125 mates with 54297

Use With: See table  
Designed In: Millimeters

#### Electrical

Current:  
16-26 AWG — 10.0A max.  
10-12 AWG — 35.0A max.  
Contact Resistance: 3 milliohms max.

#### Physical

Contact: Brass, silver plating  
Retainer: Nylon  
Strip Length:  
16-26 AWG — 8.50mm ±0.40  
10-12 AWG — 9.50mm ±0.40

Order No.	Wire Range (AWG)	Retainer Color	Max. Wire Insulation Dia. mm (In.)	Use With
55124-4131	22-26	Red	3.60 (.142)	55347
55124-4331	18	Blue		
55124-4431	16	White		
55125-4131	12	White	5.00 (.197)	55348
55125-4231	10	Black		

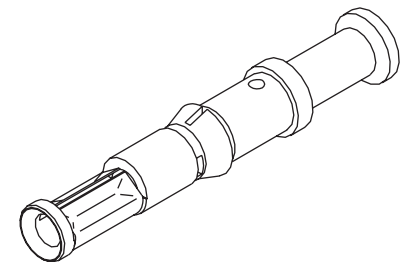
Note: Sales drawings and product specifications available at [www.molex.com](http://www.molex.com)

## FEATURES AND SPECIFICATIONS



### HMC™ Rectangular Industrial Connector System Single-Module Type Female Crimp Terminal

**54296/54297**



#### Features and Benefits

- Can be used for signal, power or grounding applications
- Long contact area maximizes contact area and contact wipe
- Molded spring-lock retainer provides secure terminal retention
- Retainers are color coded for easy identification

#### Reference Information

Packaging: Bag  
Mates With: 54296 mates with 55124,  
54297 mates with 55125

Use With: See table  
Designed In: Millimeters

#### Electrical

Current:  
16-26 AWG — 10.0A max.  
10-12 AWG — 35.0A max.  
Contact Resistance: 3 milliohms max.

#### Physical

Contact: Brass, silver plating  
Contact Spring: Beryllium copper, silver plating  
Retainer: Nylon  
Strip Length:  
16-26 AWG — 8.50mm ±0.40  
10-12 AWG — 9.50mm ±0.40

Order No.	Wire Range (AWG)	Retainer Color	Max. Wire Insulation Dia. mm (In.)	Use With
54296-9131	22-26	Red	3.60 (.142)	54478
54296-9331	18	Blue		
54296-9431	16	White		
54297-9131	12	White	5.00 (.197)	54479
54297-9231	10	Black		

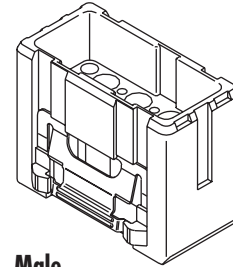
Note: Sales drawings and product specifications available at [www.molex.com](http://www.molex.com)

## FEATURES AND SPECIFICATIONS

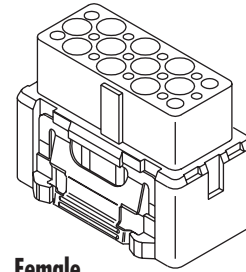


# HMC™ Rectangular Industrial Connector System Single-Module Type Terminal Housing

**55347/55348/  
54478/54479**



**Male**



**Female**

### Features and Benefits

- Can be used with receptacle or plug shell assemblies
- Spring-touch lock snaps firmly into shell and allows easy removal for field servicing
- Polarization features facilitate insertion and prevent mis-mating

### Reference Information

Packaging: Bag  
 Mates With: 55348 mates with 54479  
 55347 mates with 54478  
 Use With: 55124, 55125, 54296, 54297  
 Designed In: Millimeters

### Electrical

Voltage:  
 12-circuit — 380V AC, 450V DC  
 40, 52-circuit — 250V AC/300V DC  
 Dielectric Withstanding Voltage:  
 12-circuit — 2250V AC/1 minute  
 40, 52-circuit — 1750V AC/1 minute  
 Insulation Resistance: 1000 Megohms min.

### Physical

Housing: Polycarbonate, Gray, UL 94V-0  
 Spring: Stainless steel  
 Operating Temperature: -40 to +125°C

Order No.		Max. Number of Circuits
Male	Female	
55348-1215	54479-1215	12
55347-4015	54478-4015	40
55347-5215	54478-5215	52

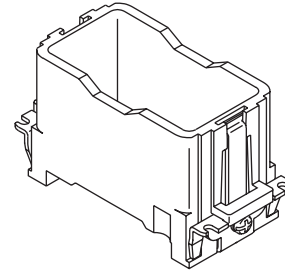
Note: Sales drawings and product specifications available at [www.molex.com](http://www.molex.com)

## FEATURES AND SPECIFICATIONS



### HMC™ Rectangular Industrial Connector System Single-Module Type Plug Shell Assembly

**58782**



#### Features and Benefits

- Accepts male and female housings for maximum flexibility
- Rigid ground terminals provide shielding and first mate/last break
- Polarization features facilitate module insertion and prevent mis-mating
- Screw attachments can be removed to allow housing to snap out for easy field servicing
- Durable aluminum alloy provides protection to terminals and withstands harsh environments

#### Reference Information

Packaging: Bag  
Mates With: 58783  
Use With: 55348, 55347, 54479, 54478  
Designed In: Millimeters

#### Physical

Shell: Aluminium alloy  
Ground Terminal: Brass, Nickel plating  
Screws: M3x5, Steel, Nickel plating  
M2.5x6, Steel, Nickel plating  
Operating Temperature: -40 to +125°C

Order No.	Number of Circuits
58782-0011	12
58782-0011	40
58782-0010	52

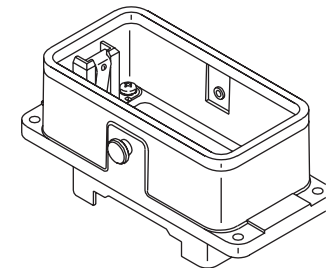
Note: Sales drawings and product specifications available at [www.molex.com](http://www.molex.com)

## FEATURES AND SPECIFICATIONS



### HMC™ Rectangular Industrial Connector System Single-Module Type Receptacle Shell

**58783**



#### Features and Benefits

- Accepts male and female housings for maximum flexibility
- Cut-away in shell allows housing to be easily removed after panel-mounting for field servicing
- Rigid ground terminals provide shielding and first mate/last break
- Polarization features facilitate module insertion and prevent mis-mating
- Rubber ring provides sealing to prevent the ingress of dust and water, maintaining the integrity of the connection
- Stainless steel locking pin provides secure attachment to plug latch

#### Reference Information

Packaging: Bag  
Waterproof/Dustproof: IP65  
Mates With: 58782  
Use With: 55348, 55347, 54479, 54478  
Designed In: Millimeters

#### Physical

Shell: Aluminium alloy  
Ground Terminal: Brass, Nickel plating  
Gasket: Synthetic rubber  
Locking Pin: Stainless steel  
Sleeve: Stainless steel  
Screws: M2.5x4, Steel, Nickel plating  
M3x5, Steel, Nickel plating  
Operating Temperature: -40 to +125°C

Order No.	Max. Number of Circuits
58783-0011	12
58783-0011	40
58783-0010	52

Note: Sales drawings and product specifications available at [www.molex.com](http://www.molex.com)

## FEATURES AND SPECIFICATIONS



# HMC™ Rectangular Industrial Connector System Single-Module Type Plug and Receptacle Cover

### Features and Benefits

- Rounded shape metal hood provides space savings and user-friendly handling
- Spring action lever provides smooth locking and secure mating retention
- Durable metal shell for harsh environments

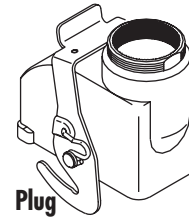
### Reference Information

Packaging: Bag  
 Use With: 58550  
               58462 uses 58782  
               58474 uses 58783  
 Designed In: Millimeters

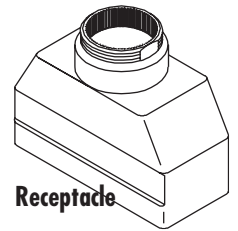
### Physical

Cover: Aluminum Alloy  
 Spring (plug): Stainless Steel  
 Locking Pin (plug): Stainless Steel  
 Lever (plug): Steel  
 Knob (plug): Polyester, Black, UL 94V-0  
 Operating Temperature: -40 to +125°C

**58462/58474**



Plug



Receptacle

Order No.		Total Number of Circuits
Plug	Receptacle	
58462-0011	58474-0001	12
58462-0011	58474-0001	40
58462-0010	58474-0000	52

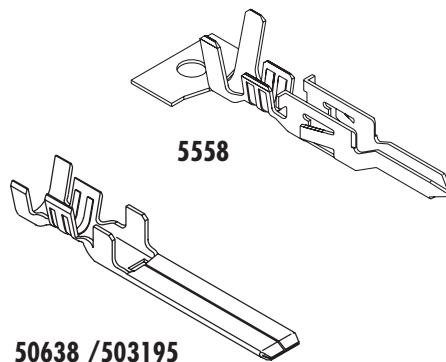
Note: Sales drawings and product specifications available at [www.molex.com](http://www.molex.com)

## FEATURES AND SPECIFICATIONS



### HMC™ Rectangular Industrial Connector System Multi-Module Type Male Crimp Terminal

**5558/50638/503195**



#### Features and Benefits

- Can be used for signal, power or grounding applications
- Long contact area maximizes contact area and contact wipe

#### Reference Information

Packaging: Reel or Bag  
 Mates With: 5558 mates with 5556  
 50638 mates with 50637  
 503195 mates with 503196  
 Use With: See table  
 Designed In: Millimeters

#### Electrical

Current: 50638 — 20.0A max.  
 5558 — 12.0A max.  
 503195 — 15.0A max.  
 Contact Resistance: 20 milliohms max.

#### Physical

Contact: Brass (50638/5558)  
 Copper Alloy (503195)  
 Plating:  
 Contact Area — Gold  
 Crimp Area — Tin  
 Underplating: Nickel

Order No.		Wire Range (AWG)	Use With
Strip	Loose		
39-00-0432	39-00-0433	22-28	51203
39-00-0430	39-00-0431	18-24	
503195-1000	503195-1100	16-19	503193
50638-9028	50638-9128	14-16	51194

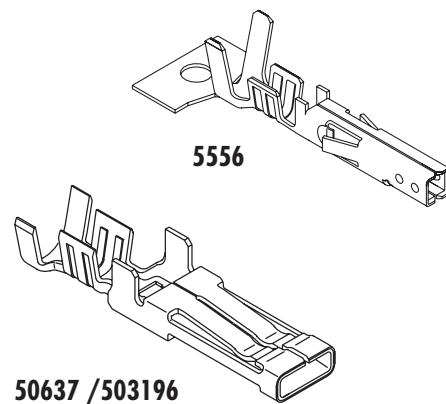
Note: Sales drawings and product specifications available at [www.molex.com](http://www.molex.com)

## FEATURES AND SPECIFICATIONS



### HMC™ Rectangular Industrial Connector System Multi-Module Type Female Crimp Terminal

**5556/50637/503196**



#### Features and Benefits

- Can be used for signal, power or grounding applications
- Long contact area maximizes contact area and contact wipe

#### Reference Information

Packaging: Reel or Bag  
 Mates With: 5556 mates with 5558  
 50637 mates with 50638  
 503196 mates with 503195  
 Use With: See table  
 Designed In: Millimeters

#### Electrical

Current: 50637 — 20.0A max.  
 5556 — 12.0A max.  
 503196 — 15.0A max.  
 Contact Resistance: 20 milliohms max.

#### Physical

Contact: Copper Alloy (50637 /503196)  
 Brass (5556)  
 Plating:  
 Contact Area — Gold  
 Crimp Area — Tin  
 Underplating: Nickel

Order No.		Wire Range (AWG)	Use With
Strip	Loose		
39-00-0434	39-00-0435	22-28	51204
39-00-0428	39-00-0429	18-24	
503196-1000	503196-1100	16-19	503194
50637-0028	50637-0128	14-16	51195

Note: Sales drawings and product specifications available at [www.molex.com](http://www.molex.com)

## FEATURES AND SPECIFICATIONS



# HMC™ Rectangular Industrial Connector System Multi-Module Type Terminal Housing

### Features and Benefits

- Can be used with plug or receptacle shell assemblies
- User-friendly latches enable easy housing insertion and removal for field servicing
- Polarization features facilitate insertion and prevent mis-mating
- Fully shrouded to protect terminals
- Locking ribs provide secure housing retention

### Reference Information

Packaging: Bag  
Designed In: Millimeters  
Use With: See table

### Electrical

Voltage: 250V AC / 300V DC  
Dielectric Withstand Voltage: 1750V AC/1 minute  
Insulation Resistance: 1000 Megohms min.

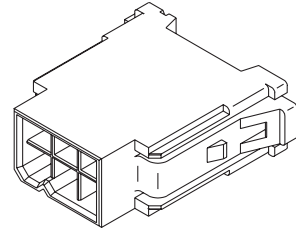
### Physical

Housing: Glass-filled Nylon, Natural, UL 94V-0  
Operating Temperature: -40 to +125°C

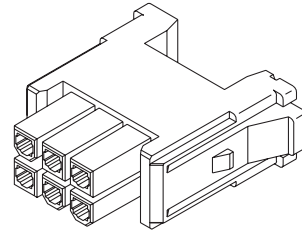
**503193/503194/51194/  
51195/51203/51204**

Order No.		Max. Number of Circuits	Use With
Male	Female		
503193-0600	503194-0600	6	58687, 58691
51194-0800	51195-0800	8	58721, 58719
51203-1200	51204-1200	12	

Note: Sales drawings and product specifications available at [www.molex.com](http://www.molex.com)



**Male**



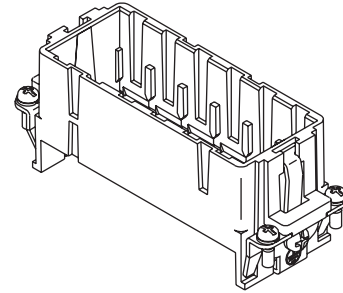
**Female**

## FEATURES AND SPECIFICATIONS



### HMC™ Rectangular Industrial Connector System Multi-Module Type Plug Shell Assembly

**58687 / 58721**



#### Features and Benefits

- Accepts male and female housings for maximum flexibility
- Rigid ground terminals provide shielding and first mate/last break
- Polarization features facilitate housing insertion and prevent mis-mating
- Housings can be easily removed for field servicing

#### Reference Information

Packaging: Bag  
 Mates With: 58687 mates with 58691  
 58721 mates with 58719  
 Use With: See table  
 Designed In: Millimeters

#### Physical

Shell: Aluminium alloy  
 Ground Terminal: Brass, Nickel plating  
 Screws: M3x5, Steel, Nickel plating  
 M2.5x8, Steel, Nickel plating  
 Operating Temperature: -40 to +125°C

Order No.	Max. Number of Circuits	Use With
58687-0010	36	503194, 503195
58721-0010	48	51194, 51195
58721-0010	72	51203, 51204

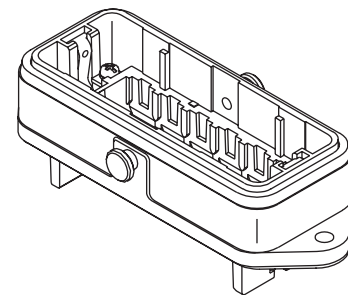
Note: Sales drawings and product specifications available at [www.molex.com](http://www.molex.com)

## FEATURES AND SPECIFICATIONS



### HMC™ Rectangular Industrial Connector System Multi-Module Type Receptacle Shell Assembly

**58691 / 58719**



#### Features and Benefits

- Accepts male and female housings for maximum flexibility
- Cut-away in shell allows housings to be easily removed after panel-mounting for field servicing
- Rigid ground terminals provide shielding and first mate/last break
- Polarization features facilitate housing insertion and prevent mis-mating
- Gasket provides sealing to prevent the ingress of dust and water, maintaining the integrity of the connection
- Stainless steel locking pin provides secure attachment to plug latch

#### Reference Information

Packaging: Bag  
 Waterproof/Dustproof: IP65  
 Mates With: 58691 mates with 58687  
 58719 mates with 58721  
 Designed In: Millimeters  
 Use With: See table

#### Physical

Shell: Aluminium alloy  
 Ground Terminal: Brass, Nickel plating  
 Locking Pin: Stainless steel  
 Gasket: NBR  
 Screws: M2.5x6, Steel, Nickel plating  
 M3x5, Steel, Nickel plating  
 Operating Temperature: -40 to +125°C

Order No.	Max. Number of Circuits	Use With
58691-0010	36	503194, 503195
58719-0010	48	51194, 51195
58719-0010	72	51203, 51204

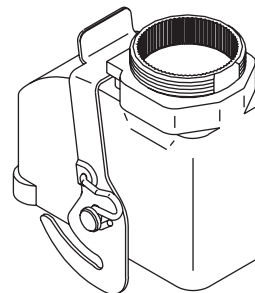
Note: Sales drawings and product specifications available at [www.molex.com](http://www.molex.com)

## FEATURES AND SPECIFICATIONS



### HMC™ Rectangular Industrial Connector System Multi-Module Type Plug Cover Assembly

**58696/58723**



#### Features and Benefits

- Rounded-shape metal hood provides space savings and user-friendly handling
- Spring-action lever provides smooth locking and secure mating retention
- Durable metal shell for rugged environments

#### Reference Information

Packaging: Bag  
Use With: 58550  
58696 uses 58687  
58723 uses 58721  
Designed In: Millimeters

#### Physical

Cover: Aluminum Alloy  
Lever Spring: Stainless Steel  
Locking Pin: Stainless Steel  
Lever: Steel  
Operating Temperature: -40 to +125°C

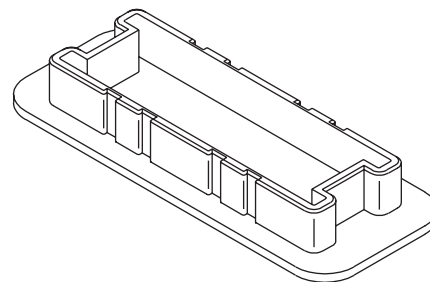
Order No.	Max. Number of Circuits
58696-0010	36
58723-0010	48
58723-0010	72

## FEATURES AND SPECIFICATIONS



### HMC™ Rectangular Industrial Connector System Multi-Module Type Receptacle Dust Cover

**51201/51202**



#### Features and Benefits

- Used to protect terminals from dust and contaminants when unmated
- Easily snaps onto receptacle

#### Reference Information

Packaging: Bag  
Waterproof/Dustproof: IP65  
Use With: 58691, 58719  
Designed In: Millimeters

#### Physical

Material: ABS, Black, UL 94V-2  
Operating Temperature: -40 to +125°C

Order No.	Use With
51201-0001	58691
51202-0001	58719

Note: Sales drawings and product specifications available at [www.molex.com](http://www.molex.com)

## FEATURES AND SPECIFICATIONS



## Rectangular Industrial End Bell Cap Assembly

### Features and Benefits

- Removable cable cap provides wire organization and protection
- PVC cable gland protects against water and contaminant ingress around cable
- Cable gland comes in multiple sizes depending on cable outside diameter accommodating a wide range of cable types
- Cable glands are color coded for easy identification during assembly

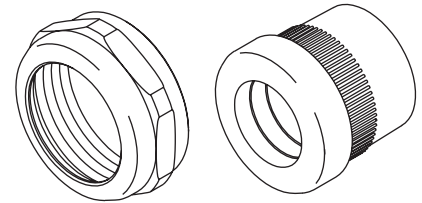
### Reference Information

Packaging: Bag  
 Waterproof/Dustproof: IP65  
 Use With: 58462, 58474 and 58696  
 Designed In: Millimeters

### Physical

Cable Cap: Brass, Nickel plating  
 Cable Gland: PVC

## 58550



Order No.	Wire Size (mm) (dia.)	Cable Gland
58550-0000	14.00 to 18.00	Blue
58550-0001	17.00 to 21.00	Brown
58550-0002	20.00 to 25.00	Orange
58550-0003	24.00 to 28.00	Yellow

Note: Sales drawings and product specifications available at [www.molex.com](http://www.molex.com)

## FEATURES AND SPECIFICATIONS



## Rectangular Industrial End Bell Cap Assembly

### Features and Benefits

- Removable cable cap provides wire organization and protection
- PVC cable gland protects against water and contaminant ingress around cable
- Cable gland comes in multiple sizes depending on cable outside diameter accommodating a wide range of cable types
- Cable glands are color coded for easy identification during assembly

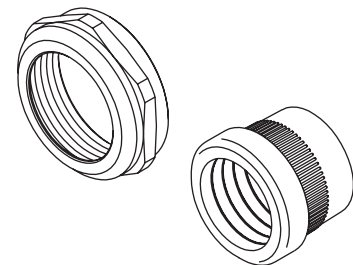
### Reference Information

Packaging: Bag  
 Waterproof/Dustproof: IP65  
 Use With: 58723  
 Designed In: Millimeters

### Physical

Cable Cap: Brass, Nickel plating  
 Cable Gland: Black PVC

## 58866



Order No.	Wire Size (mm) (dia.)	Cable Gland
58866-0000	29.00 to 33.00	Black
58866-0001	24.00 to 28.00	Yellow
58866-0002	14.00 to 18.00	Blue
58866-0003	20.00 to 25.00	Orange

Note: Sales drawings and product specifications available at [www.molex.com](http://www.molex.com)

[www.molex.com/](http://www.molex.com/)