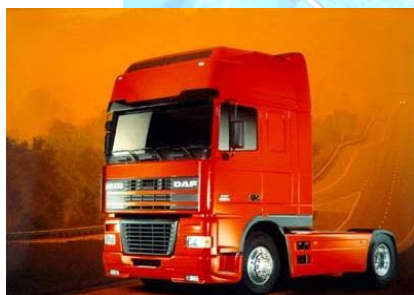




# Products & Components

## TRUCK TECHNOLOGY



**T & C Remscheid**

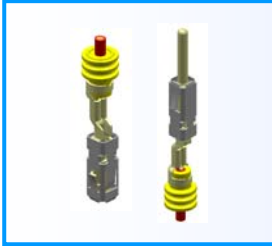


**Lear Corporation GmbH**  
Terminals and Connectors  
Schlosserstrasse 4  
42899 Remscheid  
Germany  
Tel. +49 (0) 2191 46 430 - 0

Lear Corporation GmbH  
HRB-Nr. 53602 Darmstadt, Geschäftsführer: Edouard L. Vanhooegaerden  
Sitz: Vor der Schanz 1-5 D-65462 Ginsheim-Gustavsburg  
Ust-Id.-Nr. DE 235 710 104, Steuer-Nr.: 007/225/43433, Finanzamt Darmstadt

Version  
Apr 2008

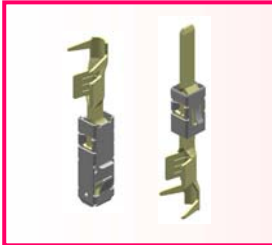
# Introduction



**MKR Plus / MKS Plus**



**VKR Plus / VKS Plus**



**MAK / MAS**



**AFK / AFS  
AFK Plus / AFS Plus**



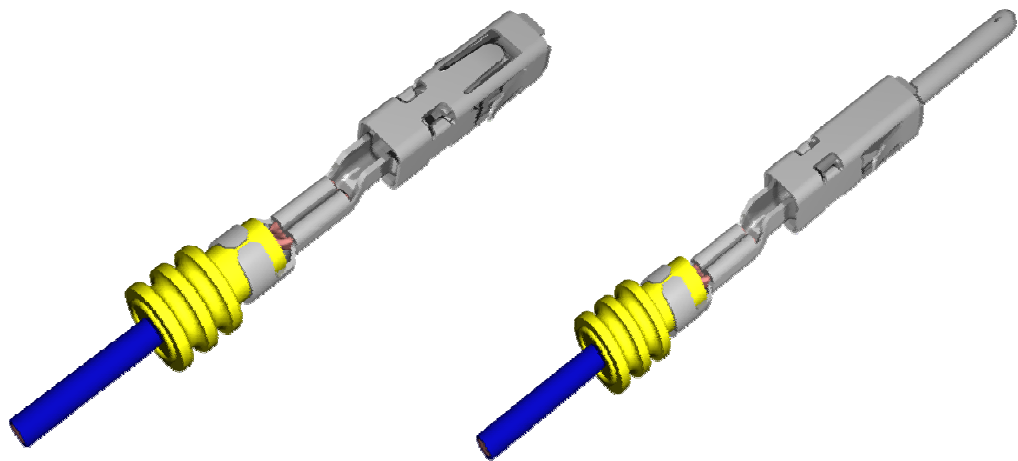
**Cable lugs -  
Sealed and unsealed**



**Fuse box systems**

***MKR Plus***

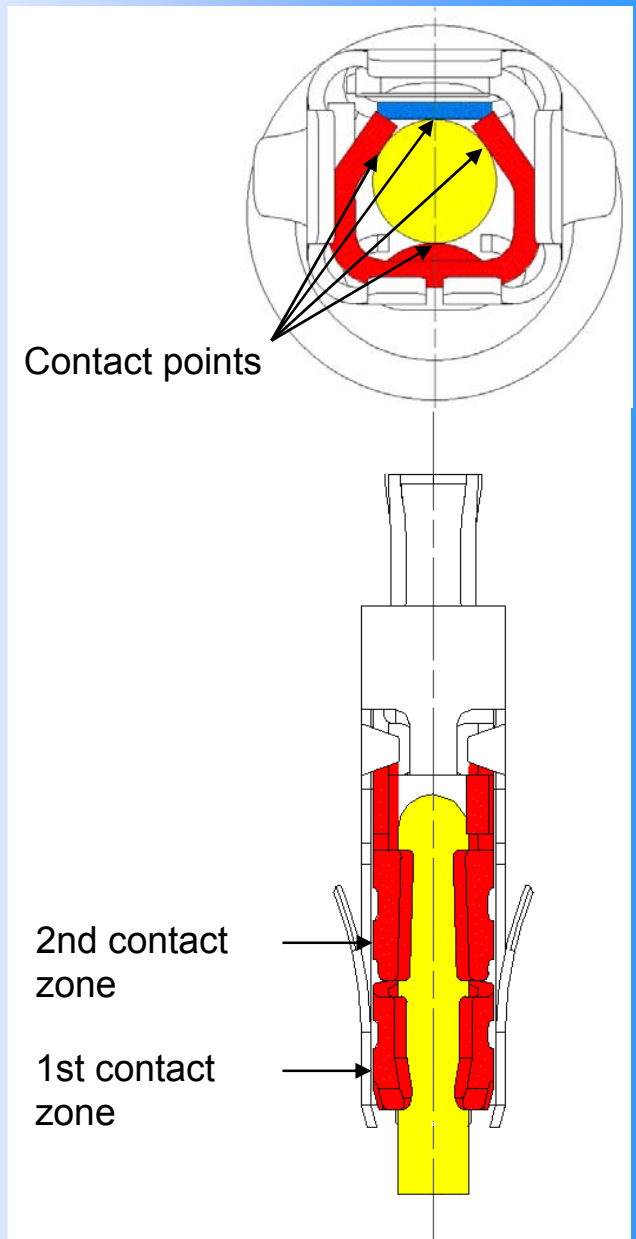
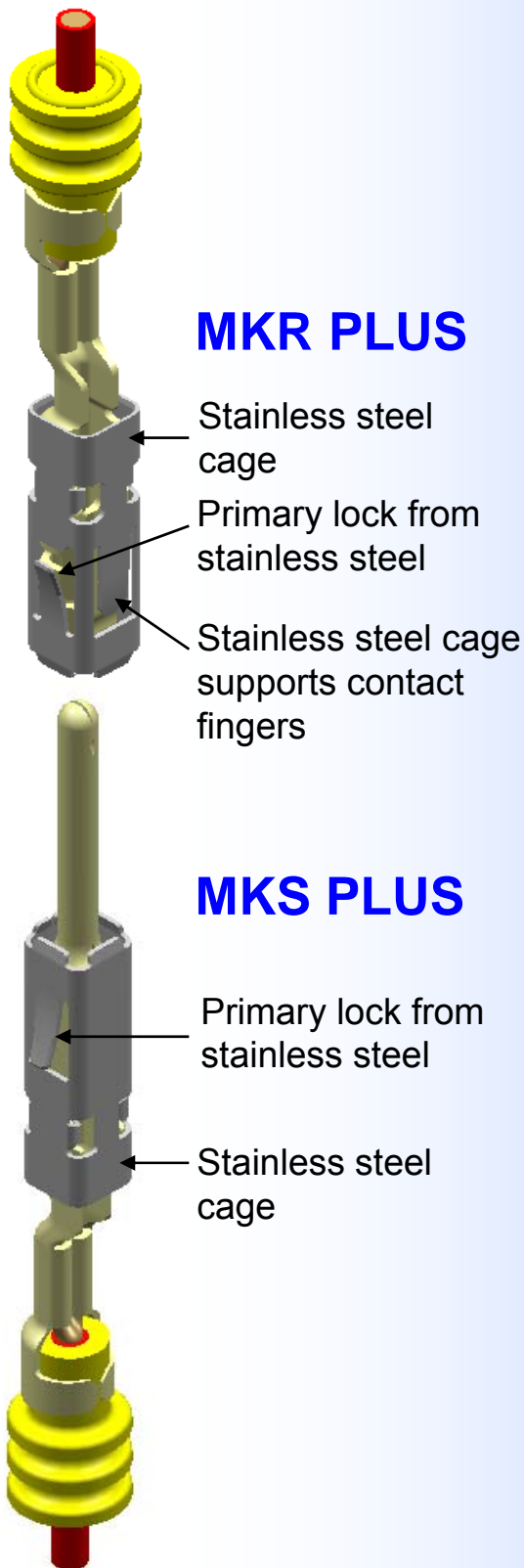
***MKS Plus***



***System***

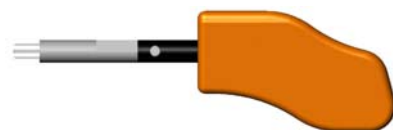
# MKR Plus / MKS Plus Ø1.5mm High vibration terminal system

## Contact principle

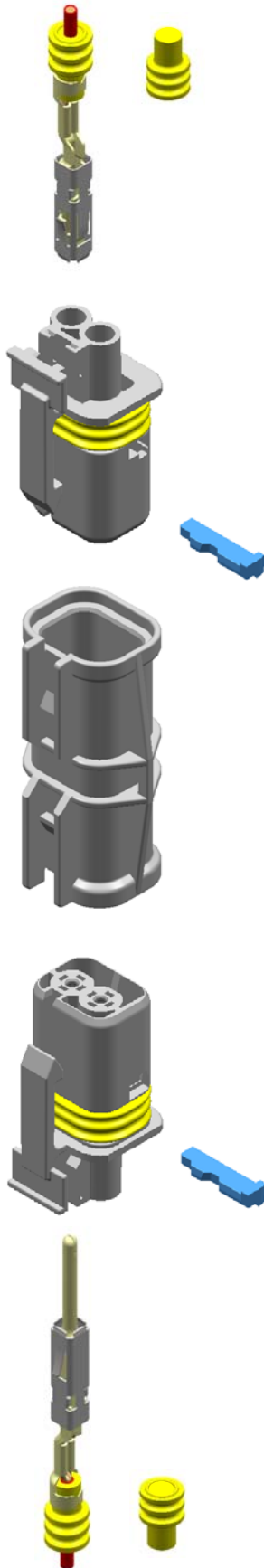


## Extraction tool

MKR / MKS Article-Nr.: 50000 017 601



# MKR Plus / MKS Plus 2-way connectors



## MKR Plus

Wire size [mm²]	Form	Par no.	Material / surface
0,35 – 0,5	Chain	28167 201 184	CuSn / Sn
	Single	48167 201 184	CuSn / Sn
0,75 – 1,5	Chain	26780 201 184	CuSn / Sn
	Single	46780 201 184	CuSn / Sn

## Single wire seal

0,35 – 0,5		13085 627 642	VMQ / blue
0,75 – 1		14448 627 621	VMQ / red
1,5		14458 627 610	VMQ / yellow
<b>Dummy seal</b>		14459 627 646	VMQ / green

## Mkr Plus housing



<b>Coding</b>	<b>A</b>	<b>B</b>	<b>C</b>	<b>D</b>
<b>Colour</b>	<b>Grey</b>	<b>Black</b>	<b>Green</b>	<b>Brown</b>
<b>Part no.</b>	<b>18169 000 002</b>	<b>18170 000 002</b>	<b>18171 000 002</b>	<b>18172 000 002</b>

## Secondary lock

<b>Part no.</b>	<b>14816 660 636</b>
-----------------	----------------------

## MKR Plus / MKS Plus Adapter



<b>Coding</b>	<b>A</b>	<b>B</b>	<b>C</b>	<b>D</b>
<b>Colour</b>	<b>Grey</b>	<b>Black</b>	<b>Green</b>	<b>Brown</b>
<b>Part no.</b>	<b>16883 592 661</b>	<b>14970 592 699</b>		<b>13186 592 684</b>

## MKS Plus housing



<b>Coding</b>	<b>A</b>	<b>B</b>	<b>C</b>	<b>D</b>
<b>Colour</b>	<b>Grey</b>	<b>Black</b>	<b>Green</b>	<b>Brown</b>
<b>Part no.</b>	<b>18169 000 002</b>	<b>18170 000 002</b>	<b>18171 000 002</b>	<b>18172 000 002</b>

## Secondary lock

<b>Part no.</b>	<b>14816 660 636</b>
-----------------	----------------------

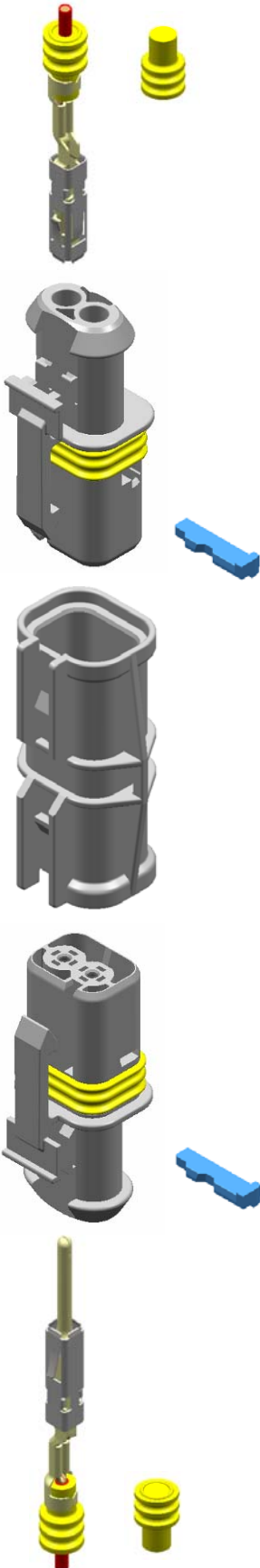
## MKS Plus

Wire size [mm²]	Form	Part no.	Material/surface
0,35 – 0,5	Chain	28155 201 184	CuSn / Sn
	Single	48155 201 184	CuSn / Sn
0,75 – 1,5	Chain	25701 201 184	CuSn / Sn
	Single	45701 201 184	CuSn / Sn

## Single wire seal

0,35 – 0,5		13085 627 642	VMQ / blue
0,75 – 1		14448 627 621	VMQ / red
1,5		14458 627 610	VMQ / yellow
<b>Dummy seal</b>		14459 627 646	VMQ / green

# MKR Plus / MKS Plus 2-way connectors with tube fitment



## MKR Plus

Wire size [mm <sup>2</sup> ]	Form	Par no.	Material / surface
0,35 – 0,5	Chain	28167 201 184	CuSn / Sn
	Single	48167 201 184	CuSn / Sn
0,75 – 1,5	Chain	26780 201 184	CuSn / Sn
	Single	46780 201 184	CuSn / Sn

## Single wire seal

0,35 – 0,5		13085 627 642	VMQ / blue
0,75 – 1		14448 627 621	VMQ / red
1,5		14458 627 610	VMQ / yellow
<b>Dummy seal</b>		14459 627 646	VMQ / green

## Mkr Plus housing



<b>Coding</b>	A	B	C	D
<b>Colour</b>	Grey	Black	Green	Brown
<b>Part no.</b>	18385 000 002	18286 000 002	18612 000 002	18625 000 002

## Secondary lock

<b>Part no.</b>	14816 660 636
-----------------	---------------

## MKR Plus / MKS Plus Adapter



<b>Coding</b>	A	B	C	D
<b>Colour</b>	Grey	Black	Green	Brown
<b>Part no.</b>	16883 592 661	14970 592 699		13186 592 684

## MKS Plus housing



<b>Coding</b>	A	B	C	D
<b>Colour</b>	Grey	Black	Green	Brown
<b>Part no.</b>	18385 000 002	18286 000 002	18612 000 002	18625 000 002

## Secondary lock

<b>Part no.</b>	14816 660 636
-----------------	---------------

## MKS Plus

Wire size [mm <sup>2</sup> ]	Form	Part no.	Material/surface
0,35 – 0,5	Chain	28155 201 184	CuSn / Sn
	Single	48155 201 184	CuSn / Sn
0,75 – 1,5	Chain	25701 201 184	CuSn / Sn
	Single	45701 201 184	CuSn / Sn

## Single wire seal

0,35 – 0,5		13085 627 642	VMQ / blue
0,75 – 1		14448 627 621	VMQ / red
1,5		14458 627 610	VMQ / yellow
<b>Dummy seal</b>		14459 627 646	VMQ / green

# MKR Plus / MKS Plus 3-way connectors

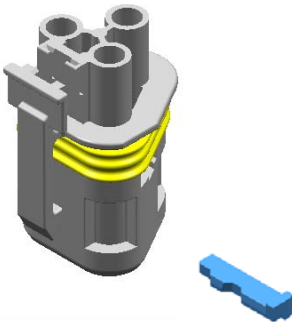
## MKR Plus



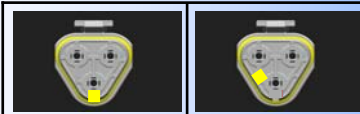
Wire size [mm²]	Form	Par no.	Material / surface
0,35 – 0,5	Chain	28167 201 184	CuSn / Sn
	Single	48167 201 184	CuSn / Sn
0,75 – 1,5	Chain	26780 201 184	CuSn / Sn
	Single	46780 201 184	CuSn / Sn

### Single wire seal

0,35 – 0,5		13085 627 642	VMQ / blue
0,75 – 1		14448 627 621	VMQ / red
1,5		14458 627 610	VMQ / yellow
<b>Dummy seal</b>		14459 627 646	VMQ / green



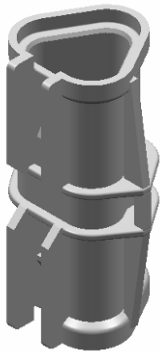
## MkR Plus housing



<b>Coding</b>	<b>A</b>	<b>B</b>
<b>Colour</b>	<b>Grey</b>	<b>Black</b>
<b>Part no.</b>	<b>18167 000 001</b>	<b>18168 000 001</b>

### Secondary lock

<b>Part no.</b>	<b>14817 660 636</b>
-----------------	----------------------

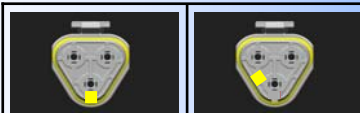
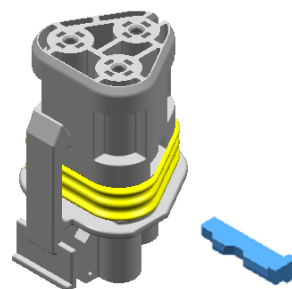


## MKR Plus / MKS Plus Adapter



<b>Coding</b>	<b>A</b>	<b>B</b>
<b>Colour</b>	<b>Grey</b>	<b>Black</b>
<b>Part no.</b>	<b>14569 592 661</b>	<b>14165 592 699</b>

## MKS Plus housing



<b>Coding</b>	<b>A</b>	<b>B</b>
<b>Colour</b>	<b>Grey</b>	<b>Black</b>
<b>Part no.</b>	<b>18167 000 001</b>	<b>18168 000 001</b>

### Secondary lock

<b>Part no.</b>	<b>14817 660 636</b>
-----------------	----------------------

## MKS Plus



Wire size [mm²]	Form	Part no.	Material/surface
0,35 – 0,5	Chain	28155 201 184	CuSn / Sn
	Single	48155 201 184	CuSn / Sn
0,75 – 1,5	Chain	25701 201 184	CuSn / Sn
	Single	45701 201 184	CuSn / Sn

### Single wire seal

0,35 – 0,5		13085 627 642	VMQ / blue
0,75 – 1		14448 627 621	VMQ / red
1,5		14458 627 610	VMQ / yellow
<b>Dummy seal</b>		14459 627 646	VMQ / green

# MKR Plus / MKS Plus 4-way connectors

## MKR Plus

Wire size [mm <sup>2</sup> ]	Form	Par no.	Material / surface
0,35 – 0,5	Chain	28167 201 184	CuSn / Sn
	Single	48167 201 184	CuSn / Sn
0,75 – 1,5	Chain	26780 201 184	CuSn / Sn
	Single	46780 201 184	CuSn / Sn

## Single wire seal

0,35 – 0,5		13085 627 642	VMQ / blue
0,75 – 1		14448 627 621	VMQ / red
1,5		14458 627 610	VMQ / yellow
<b>Dummy seal</b>		14459 627 646	VMQ / green

## MkR Plus housing



Coding	A	B	C	D	E
Colour	Grey	Black	Green	Brown	Orange
Part no.	18164 000 002	18165 000 002	18166 000 002	18261 000 002	18262 000 002

## Secondary lock

Part no.	14818 660 636
----------	---------------

## MKR Plus / MKS Plus Adapter



Coding	A	B	C	D	E
Colour	Grey	Black	Green		Orange
Part no.	16884 592 661	14971 592 699	13064 592 647		13065 592 620

## MKS Plus housing



Coding	A	B	C	D	E
Colour	Grey	Black	Green	Brown	Orange
Part no.	18164 000 002	18165 000 002	18166 000 002	18261 000 002	18262 000 002

## Secondary lock

Part no.	14818 660 636
----------	---------------

## MKS Plus

Wire size [mm <sup>2</sup> ]	Form	Part no.	Material/surface
0,35 – 0,5	Chain	28155 201 184	CuSn / Sn
	Single	48155 201 184	CuSn / Sn
0,75 – 1,5	Chain	25701 201 184	CuSn / Sn
	Single	45701 201 184	CuSn / Sn

## Single wire seal

0,35 – 0,5		13085 627 642	VMQ / blue
0,75 – 1		14448 627 621	VMQ / red
1,5		14458 627 610	VMQ / yellow
<b>Dummy seal</b>		14459 627 646	VMQ / green



# MKR Plus / MKS Plus 4-way connectors with tube fitment

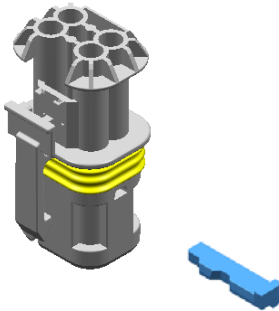


## MKR Plus

Wire size [mm <sup>2</sup> ]	Form	Par no.	Material / surface
0,35 – 0,5	Chain	28167 201 184	CuSn / Sn
	Single	48167 201 184	CuSn / Sn
0,75 – 1,5	Chain	26780 201 184	CuSn / Sn
	Single	46780 201 184	CuSn / Sn

## Single wire seal

0,35 – 0,5		13085 627 642	VMQ / blue
0,75 – 1		14448 627 621	VMQ / red
1,5		14458 627 610	VMQ / yellow
<b>Dummy seal</b>		14459 627 646	VMQ / green



## MkR Plus housing



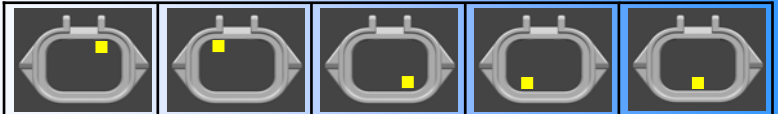
Coding	A	B	C	D	E
Colour	Grey	Black	Green		Orange
Part no.	18515 000 002	18284 000 002	18516 000 002		18514 000 002

## Secondary lock

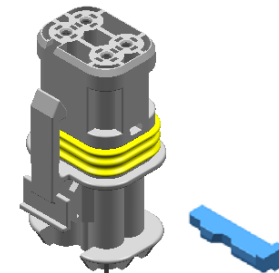
Part no.	14818 660 636
----------	---------------



## MKR Plus / MKS Plus Adapter



Coding	A	B	C	D	E
Colour	Grey	Black	Green		Orange
Part no.	16884 592 661	14971 592 699	13064 592 647		13065 592 620



## MKS Plus housing



Coding	A	B	C	D	E
Colour	Grey	Black	Green		Orange
Part no.	18515 000 002	18284 000 002	18516 000 002		18514 000 002

## Secondary lock

Part no.	14818 660 636
----------	---------------



## MKS Plus

Wire size [mm <sup>2</sup> ]	Form	Part no.	Material/surface
0,35 – 0,5	Chain	28155 201 184	CuSn / Sn
	Single	48155 201 184	CuSn / Sn
0,75 – 1,5	Chain	25701 201 184	CuSn / Sn
	Single	45701 201 184	CuSn / Sn

## Single wire seal

0,35 – 0,5		13085 627 642	VMQ / blue
0,75 – 1		14448 627 621	VMQ / red
1,5		14458 627 610	VMQ / yellow
<b>Dummy seal</b>		14459 627 646	VMQ / green

# MKR Plus / MKS Plus 6-way connectors

## MKR Plus

Wire size [mm <sup>2</sup> ]	Form	Par no.	Material / surface
0,35 – 0,5	Chain	28167 201 184	CuSn / Sn
	Single	48167 201 184	CuSn / Sn
0,75 – 1,5	Chain	26780 201 184	CuSn / Sn
	Single	46780 201 184	CuSn / Sn

### Single wire seal

0,35 – 0,5		13085 627 642	VMQ / blue
0,75 – 1		14448 627 621	VMQ / red
1,5		14458 627 610	VMQ / yellow
<b>Dummy seal</b>		14459 627 646	VMQ / green

## MkR Plus housing



Coding	A	B	C	D	E
Colour	Grey	Black			Yellow
Part no.	18733 000 001	18732 000 001			18651 000 001

### Secondary lock

Part no.	14818 660 636
----------	---------------

## MKR Plus / MKS Plus Adapter



Coding	A	B	C	D	E
Colour	Grey	Black	Green		Orange
Part no.	16884 592 661	14971 592 699	13064 592 647		13065 592 620

## MKS Plus housing



Coding	A	B	C	D	E
Colour	Grey	Black			Yellow
Part no.	18733 000 001	18732 000 001			18651 000 001

### Secondary lock

Part no.	14818 660 636
----------	---------------

## MKS Plus

Wire size [mm <sup>2</sup> ]	Form	Part no.	Material/surface
0,35 – 0,5	Chain	28155 201 184	CuSn / Sn
	Single	48155 201 184	CuSn / Sn
0,75 – 1,5	Chain	25701 201 184	CuSn / Sn
	Single	45701 201 184	CuSn / Sn

### Single wire seal

0,35 – 0,5		13085 627 642	VMQ / blue
0,75 – 1		14448 627 621	VMQ / red
1,5		14458 627 610	VMQ / yellow
<b>Dummy seal</b>		14459 627 646	VMQ / green

# MKR Plus / MKS Plus 6-way connectors

## MKR Plus

Wire size [mm <sup>2</sup> ]	Form	Par no.	Material / surface
0,35 – 0,5	Chain	28167 201 184	CuSn / Sn
	Single	48167 201 184	CuSn / Sn
0,75 – 1,5	Chain	26780 201 184	CuSn / Sn
	Single	46780 201 184	CuSn / Sn

### Single wire seal

0,35 – 0,5		13085 627 642	VMQ / blue
0,75 – 1		14448 627 621	VMQ / red
1,5		14458 627 610	VMQ / yellow
<b>Dummy seal</b>		14459 627 646	VMQ / green

## MKR Plus housing



<b>Coding</b>	<b>A</b>	<b>B</b>	<b>C</b>	<b>D</b>	<b>E</b>
<b>Colour</b>	Grey		Green		Yellow
<b>Part no.</b>	18421 000 000		18872 000 001		18650 000 001

### Secondary lock

<b>Part no.</b>	14818 660 636
-----------------	---------------

## MKR Plus / MKS Plus Adapter



<b>Coding</b>	<b>A</b>	<b>B</b>	<b>C</b>	<b>D</b>	<b>E</b>
<b>Colour</b>	Grey	Black	Green		Orange
<b>Part no.</b>	16884 592 661	14971 592 699	13064 592 647		13065 592 620

## MKS Plus housing



<b>Coding</b>	<b>A</b>	<b>B</b>	<b>C</b>	<b>D</b>	<b>E</b>
<b>Colour</b>	Grey		Green		Yellow
<b>Part no.</b>	18421 000 000		18872 000 001		18650 000 001

### Secondary lock

<b>Part no.</b>	14818 660 636
-----------------	---------------

## MKS Plus

Wire size [mm <sup>2</sup> ]	Form	Part no.	Material/surface
0,35 – 0,5	Chain	28155 201 184	CuSn / Sn
	Single	48155 201 184	CuSn / Sn
0,75 – 1,5	Chain	25701 201 184	CuSn / Sn
	Single	45701 201 184	CuSn / Sn

### Single wire seal

0,35 – 0,5		13085 627 642	VMQ / blue
0,75 – 1		14448 627 621	VMQ / red
1,5		14458 627 610	VMQ / yellow
<b>Dummy seal</b>		14459 627 646	VMQ / green

## MKR Plus / MKS Plus Blanking cap for 2-way connectors



### Blanking cap

Part no.	18793 000 001
----------	---------------

### MKR Plus / MKS Plus Adapter

Coding	A	B	C	D
Colour	Grey	Black		Brown
Part no.	16883 592 661	14970 592 699		13186 592 684

## MKR Plus / MKS Plus Blanking cap for 4- and 6-way connectors



### Blanking cap

Part no.	18792 000 001
----------	---------------

### MKR Plus / MKS Plus Adapter

Coding	A	B	C	D	E
Colour	Grey	Black	Green		Orange
Part no.	16884 592 661	14791 592 699	13064 592 647		13065 592 620

## MKR Plus 6-way / Distributor socket 2 x 3-way

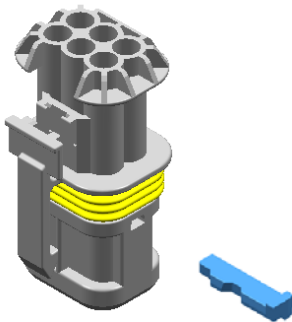


### MKR Plus

Wire size [mm²]	Form	Par no.	Material / surface
0,35 – 0,5	Chain	28167 201 184	CuSn / Sn
	Single	48167 201 184	CuSn / Sn
0,75 – 1,5	Chain	26780 201 184	CuSn / Sn
	Single	46780 201 184	CuSn / Sn

### Single wire seal

0,35 – 0,5		13085 627 642	VMQ / blue
0,75 – 1		14448 627 621	VMQ / red
1,5		14458 627 610	VMQ / yellow
<b>Dummy seal</b>		14459 627 646	VMQ / green



### MkR Plus housing



Coding	A	B	C	D	E
Colour	Grey		Green		Yellow
Part no.	18421 000 000		18872 000 001		18650 000 001

### Secondary lock

Part no.	14818 660 636
----------	---------------



### Distributor socket 2 x 3-way

Circuit diagram					
Coding	A	B	C	D	E
Colour					yellow
Part no.					18409 000 000

# MKR Plus / MKS Plus 5-way connector



## MKR Plus

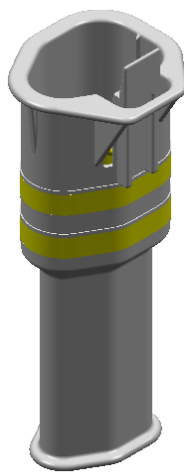
Wire size [mm <sup>2</sup> ]	Form	Par no.	Material / surface
0,35 – 0,5	Chain	28167 201 184	CuSn / Sn
	Single	48167 201 184	CuSn / Sn
0,75 – 1,5	Chain	26780 201 184	CuSn / Sn
	Single	46780 201 184	CuSn / Sn

## Single wire seal

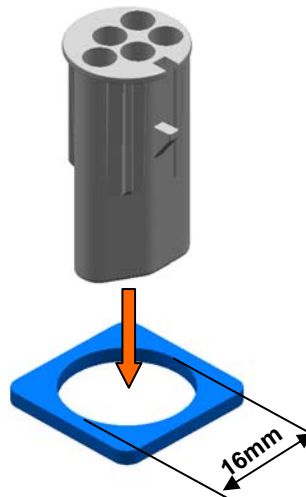
0,35 – 0,5		13085 627 642	VMQ / blue
0,75 – 1		14448 627 621	VMQ / red
1,5		14458 627 610	VMQ / yellow
<b>Dummy seal</b>		14459 627 646	VMQ / green

## MkR Plus housing

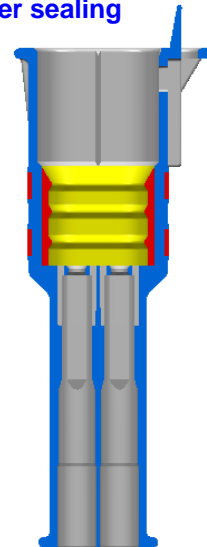
Part no	Colour
13236 568 699	Black
13236 568 636	blue



## Hole size



## inner sealing



## MKS Plus housing

Part no.	Colour
18654 000 001	Black
18654 056 000	blue

## MKS Plus

Wire size [mm <sup>2</sup> ]	Form	Part no.	Material/surface
0,35 – 0,5	Chain	28155 201 184	CuSn / Sn
	Single	48155 201 184	CuSn / Sn
0,75 – 1,5	Chain	25701 201 184	CuSn / Sn
	Single	45701 201 184	CuSn / Sn

## Single wire seal

0,35 – 0,5		13085 627 642	VMQ / blue
0,75 – 1		14448 627 621	VMQ / red
1,5		14458 627 610	VMQ / yellow
<b>Dummy seal</b>		14459 627 646	VMQ / green

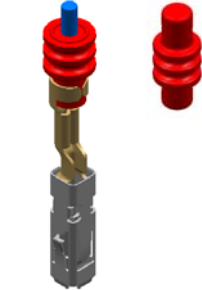


# MKR Plus / MKS Plus 7-way connector



### Secondary lock

Part no.	16148 598 613
----------	---------------



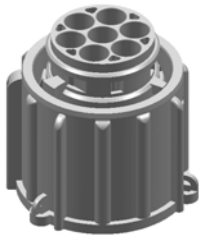
### MKR Plus

Wire size [mm <sup>2</sup> ]	Form	Par no.	Material / surface	Temp rage
0,5 – 1	Chain	26806 201 184	CuSn / Sn	-40 °C to +140 °C
	Chain	26806 306 141	CuCrTiSi / Ag	-40 °C to +150 °C
	Single	46806 201 184	CuSn / Sn	-40 °C to +140 °C
1,5 – 2,5	Chain	26807 201 184	CuSn / Sn	-40 °C to +140 °C
	Chain	26807 306 141	CuCrTiSi / Ag	-40 °C to +150 °C
	Single	46807 201 184	CuSn / Sn	-40 °C to +140 °C

### Single wire seal

0,5 – 1		16695 627 642	VMQ / blue
1,5 – 2,5		16694 627 626	VMQ / brown

Dummy seal		16237 627 626	VMQ / brown
------------	--	---------------	-------------



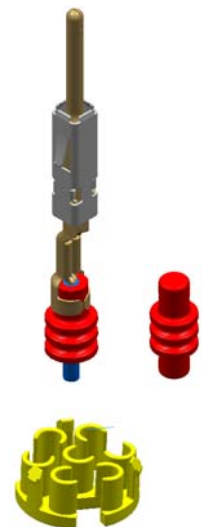
### MKR Plus housing

Coding	1B	1B	1B cavity 7 closed	
Colour	Grey	Green	Grey	
Part no.	18369 062 000	18369 054 000	17019 062 000	



### MKS Plus housing

Coding	1B			
Colour	Grey			
Part no.	16765 598 663			



### MKS Plus

Wire size [mm <sup>2</sup> ]	Form	Part no.	Material/surface	Temp range
0,5 – 1	Chain	25678 201 184	CuSn / Sn	-40 °C to +140 °C
	Chain	25678 306 141	CuCrTiSi / Ag	-40 °C to +150 °C
	Single	45678 201 184	CuSn / Sn	-40 °C to +140 °C
1,5 – 2,5	Chain	25719 201 184	CuSn / Sn	-40 °C to +140 °C
	Chain	25719 306 140	CuCrTiSi / Ag	-40 °C to +150 °C
	Single	45719 201 184	CuSn / Sn	-40 °C to +140 °C

### Single wire seal

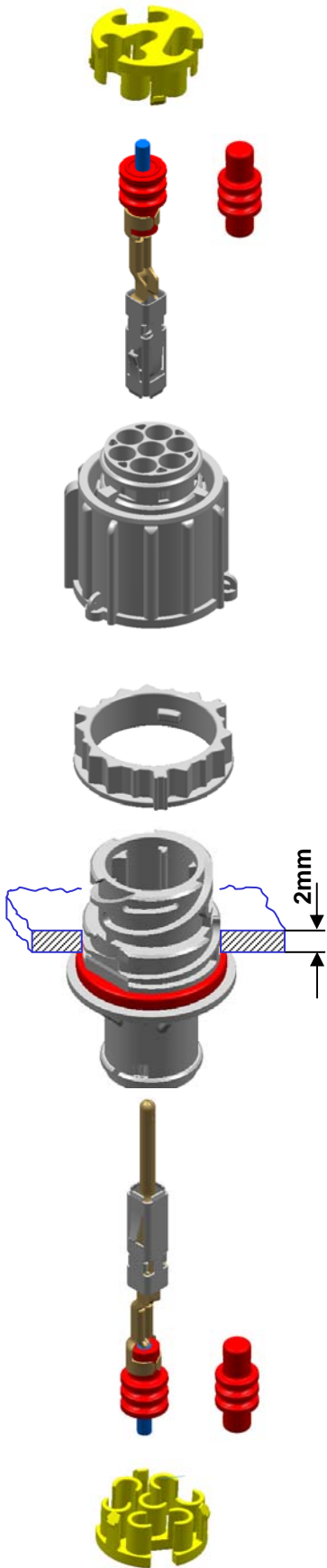
0,5 – 1		16695 627 642	VMQ / blue
1,5 – 2,5		16694 627 626	VMQ / brown

Dummy seal		16237 627 626	VMQ / brown
------------	--	---------------	-------------

### Secondary lock

Part no.	16148 598 613
----------	---------------

# MKR Plus / MKS Plus 7-way connector with flange



## Secondary lock

Part no.	16148 598 613
----------	---------------

## MKR Plus

Wire size [mm <sup>2</sup> ]	Form	Par no.	Material / surface	Temp rage
0,5 – 1	Chain	26806 201 184	CuSn / Sn	-40 °C to +140 °C
	Chain	26806 306 141	CuCrTiSi / Ag	-40 °C to + 150 °C
	Single	46806 201 184	CuSn / Sn	-40 °C to + 140 °C
1,5 – 2,5	Chain	26807 201 184	CuSn / Sn	-40 °C to +140 °C
	Chain	26807 306 141	CuCrTiSi / Ag	-40 °C to + 150 °C
	Single	46807 201 184	CuSn / Sn	-40 °C to + 140 °C

## Single wire seal

0,5 – 1		16695 627 642	VMQ / blue
1,5 – 2,5		16694 627 626	VMQ / brown

## Dummy seal

		16237 627 626	VMQ / brown
--	--	---------------	-------------

## Mkr Plus housing

Coding	1B	1B	1B cavity 7 closed	
Colour	Grey	Green	Grey	
Part no.	18369 062 000	18369 054 000	17019 062 000	

## Locking nut

Part no.	16115 598 699
----------	---------------

## MKS Plus housing

Coding	1B	1B	1B	
Colour	Grey	Green	Grey	
Seal	Flange seal	Flange seal	O-ring	
Part no.	18343 062 000	18343 054 000	18520 062 000	

## MKS Plus

Wire size [mm <sup>2</sup> ]	Form	Part no.	Material/surface
0,5 – 1	Chain	25678 201 184	CuSn / Sn
	Chain	25678 306 141	CuCrTiSi / Ag
	Single	45678 201 184	CuSn / Sn
1,5 – 2,5	Chain	25719 201 184	CuSn / Sn
	Chain	25719 306 140	CuCrTiSi / Ag
	Single	45719 201 184	CuSn / Sn

## Single wire seal

0,5 – 1		16695 627 642	VMQ / blue
1,5 – 2,5		16694 627 626	VMQ / brown

## Dummy seal

		16237 627 626	VMQ / brown
--	--	---------------	-------------

## Secondary lock

Part no.	16148 598 613
----------	---------------

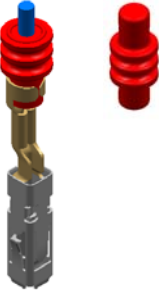


# MKR Plus 7-way pin housing



### Secondary lock

Part no.	16148 598 613
----------	---------------

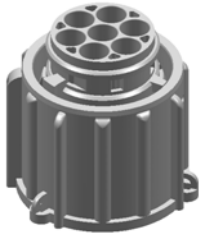


### MKR Plus

Wire size [mm²]	Form	Par no.	Material / surface	Temp rage
0,5 – 1	Chain	26806 201 184	CuSn / Sn	-40 °C to +140 °C
	Chain	26806 306 141	CuCrTiSi / Ag	-40 °C to + 150 °C
	Single	46806 201 184	CuSn / Sn	-40 °C to + 140 °C
1,5 – 2,5	Chain	26807 201 184	CuSn / Sn	-40 °C to +140 °C
	Chain	26807 306 141	CuCrTiSi / Ag	-40 °C to + 150 °C
	Single	46807 201 184	CuSn / Sn	-40 °C to + 140 °C

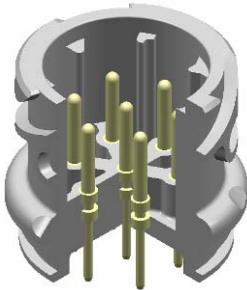
### Single wire seal

0,5 – 1		16695 627 642	VMQ / blue
1,5 – 2,5		16694 627 626	VMQ / brown
<b>Dummy seal</b>		16237 627 626	VMQ / brown



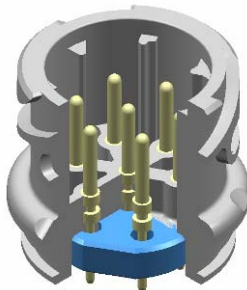
### MkR Plus housing

Coding	1B	1B	1B cavity 7 closed	
Colour	Grey	Green	Grey	
Part no.	18369 062 000	18369 054 000	17019 062 000	



### Pin connector without filter

Coding	1B			
Colour	Black			
Part no.	18567 000 000			

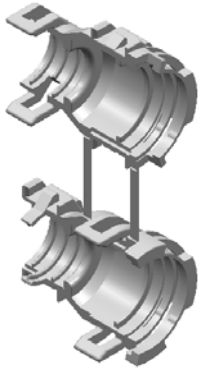





### Pin connector with ferrit filter disk

Coding	1B			
Colour	Black			
Part no.	18570 000 000			

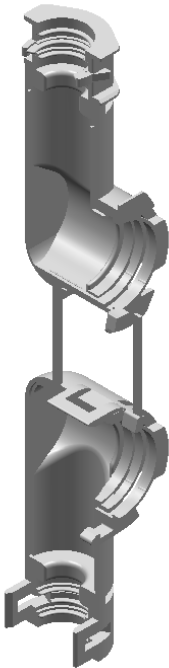
## MKR Plus / MKS Plus End housings




### Adapter for corrugated tube, straight



	Fitting to connectors shown on previous pages (see pictures)		
	18369 17019	16765	18343 18520
			
Nominal size 7,5	13405 625 699		
Nominal size 8,5	13406 625 699		
Nominal size 10	13407 625 699		

### Adapter for corrugated tube, 90°

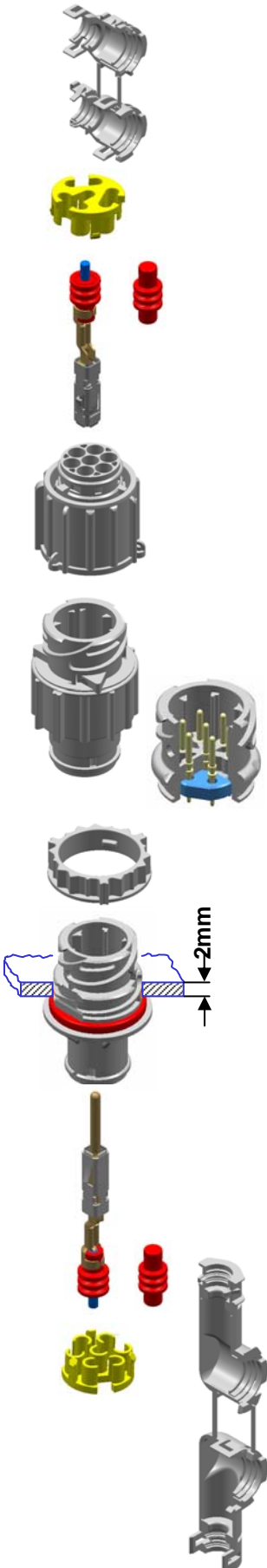


	Fitting to connectors shown on previous pages (see pictures)		
	18369 17019	16765	18343 18520
			
Nominal size 7,5	14829 625 699		
Nominal size 8,5	14873 625 699		
Nominal size 10	14828 625 699		
For multicore cable Ø11 mm	14830 625 699		

### Adapter for corrugated tube, 90°, with overwind protection

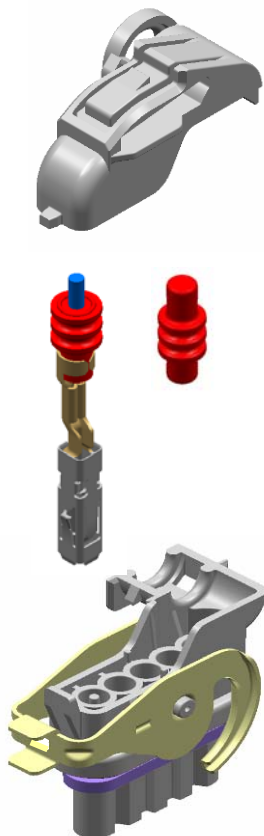
Nominal size 7,5	14930 625 699
Nominal size 8,5	14931 625 699
Nominal size 10	14932 625 699
For multicore cable Ø11 mm	14929 625 699

## 7-way MKR Plus / MKS Plus housing System Data



Pos.	Characteristic	Value / Remark
<b>1</b>	<b>Electrical</b>	
1.1	Voltage	Max. 60 V
1.2	Current capacity	3 mA at U > 5 V up to 7 A at 90 °C (CuSn / tin) 100 °C (CuCrTiSi / silver) ambient temperature
1.3	Terminal resistance	< 10 mΩ at 1 A
1.4	Insulation resistance	≥ 10 MΩ
<b>2</b>	<b>Thermal</b>	
2.1	Temperature range	(depending on material / finish of terminals) CuSn / tin -40 °C to + 140 °C CuCrTiSi / silver -40 °C to + 150 °C
<b>3</b>	<b>Mechanical</b>	
3.1	No. of inserions	10
3.2	Retention force	> 80 N
<b>4</b>	<b>Climatic</b>	
4.1	Temperature humidity change	Accoding to DIN 72585-2
4.2	Temperature change	According to DIN 72585-2
<b>5</b>	<b>Chemical resistance</b>	Accoding to DIN 72585-2
<b>6</b>	<b>Protection class</b>	IPX9K DIN 40050-9
<b>7</b>	<b>Vibration resistance</b>	Acc. to DIN 72585-2 K2

## 4-way MKR Plus housing, 90° angled, for protective tubing B8x0.2 DIN 40621



### Cover

Article No	13376 625 699
------------	---------------

### MKR Plus

Wire size [mm <sup>2</sup> ]	Form	Article No	Material	Temp range
0,5 – 1,0	Chain	26806 201 184	CuSn tinned	-40 °C to +140 °C
	Chain	26806 306 141	CuCrTiSi / silver	-40 °C to +150 °C
	Single	46806 201 184	CuSn tinned	-40 °C to +140 °C
1,5 – 2,5	Chain	26807 201 184	CuSn tinned	-40 °C to +140 °C
	Chain	26807 306 141	CuCrTiSi / silver	-40 °C to +150 °C
	Single	46807 201 184	CuSn tinned	-40 °C to +140 °C

### Single wire seals

0,5 – 1,0		16695 627 642	VQM blue	
1,5 – 2,5		16694 627 626	VQM brown	

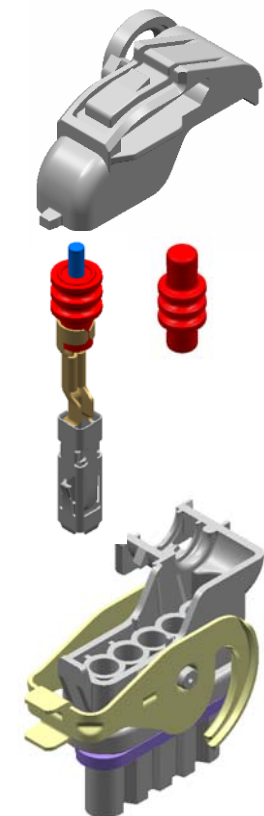
### Cavity plug

Part no.	16237 627 626	VQM brown	
----------	---------------	-----------	--

### MKR Plus Housing

Part no.	18767 000 000
----------	---------------

## 5-way MKR Plus housing, 90° angled, for protective tubing B8x0.2 DIN 40621



### Cover

Article No	13599 625 699
------------	---------------

### MKR Plus

Wire size [mm <sup>2</sup> ]	Form	Part No	Material	Temp range
0,5 – 1,0	Chain	26806 201 184	CuSn / tinned	-40 °C to +140 °C
	Chain	26806 306 141	CuCrTiSi / silver	-40 °C to +150 °C
	Single	46806 201 184	CuSn / tinned	-40 °C to +140 °C
1,5 – 2,5	Chain	26807 201 184	CuSn / tinned	-40 °C to +140 °C
	Chain	26807 306 141	CuCrTiSi / silver	-40 °C to +150 °C
	Single	46807 201 184	CuSn / tinned	-40 °C to +140 °C

### Single wire seals

0,5 – 1,0		16695 627 642	VQM blue	
1,5 – 2,5		16694 627 626	VQM brown	

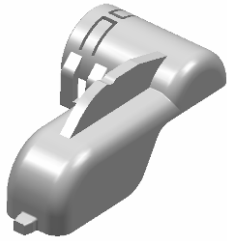
### Cavity plug

		16237 627 626	VQM brown	
--	--	---------------	-----------	--

### MKR Plus Housing

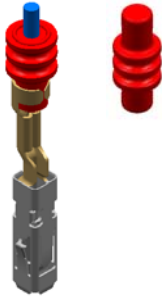
part No.	18920 000 000
----------	---------------

# 5-way MKR Plus housing, 90° angled, for corrugated tube NW 8.5



### Cover

Article No	14900 625 699
------------	---------------



### MKR Plus

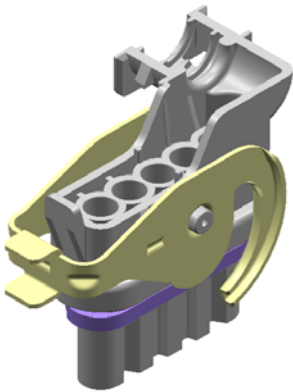
Wire size [mm <sup>2</sup> ]	Form	Article No	Material	Temp range
0,5 – 1,0	Chain	26806 201 184	CuSn / tinned	-40 °C to +140 °C
0,5 – 1,0	Chain	26806 306 141	CuCrTiSi / silver	-40 °C to +150 °C
0,5 – 1,0	Single	46806 201 184	CuSn / tinned	-40 °C to +140 °C
1,5 – 2,5	Chain	26807 201 184	CuSn / tinned	-40 °C to +140 °C
1,5 – 2,5	Chain	26807 306 141	CuCrTiSi / silver	-40 °C to +150 °C
1,5 – 2,5	Single	46807 201 184	CuSn tinned	-40 °C to +140 °C

### Single wire seals

0,5 – 1,0		16695 627 642	VQM blue	
1,5 – 2,5		16694 627 626	VQM brown	

### Cavity plug

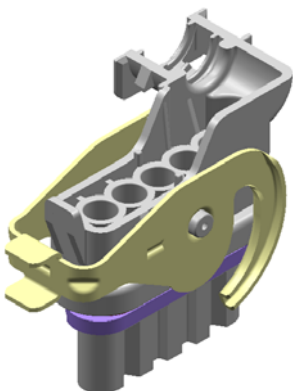
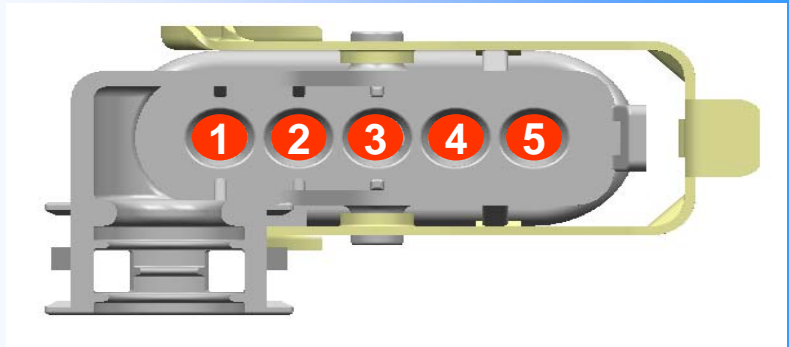
Part no.	16237 627 626	VQM brown	
----------	---------------	-----------	--



### MKR Plus Housing

Part no.	18683 000 000
----------	---------------

Cavity numbers



### MKR Plus Housing

Part no.	18242 000 000
----------	---------------

Cavity numbers

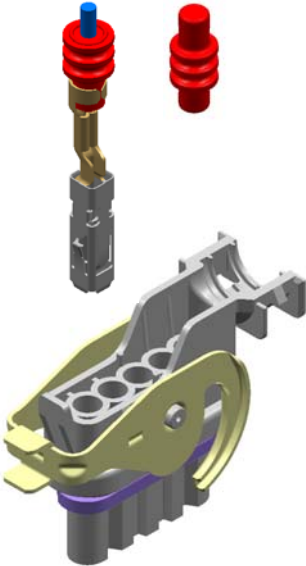


## 5-way MKR Plus housing, straight, for corrugated tube NW 10



### Cover

Part no.	14899 625 699
----------	---------------



### MKR Plus

Wire size [mm <sup>2</sup> ]	Form	Article No	Material	Temp range
0,5 – 1,0	Chain	26806 201 184	CuSn tinned	-40 °C to +140 °C
0,5 – 1,0	Chain	26806 306 141	CiCrTiSi / silver	-40 °C to +150 °C
0,5 – 1,0	Single	46806 201 184	CuSn tinned	-40 °C to +140 °C
1,5 – 2,5	Chain	26807 201 184	CuSn tinned	-40 °C to +140 °C
1,5 – 2,5	Chain	26807 306 141	CuCrTiSi / silver	-40 °C to +150 °C
1,5 – 2,5	Single	46807 201 184	CuSn tinned	-40 °C to +140 °C

### Single wire seals

0,5 – 1,0		16695 627 642	VQM blue
1,5 – 2,5		16694 627 626	VQM brown

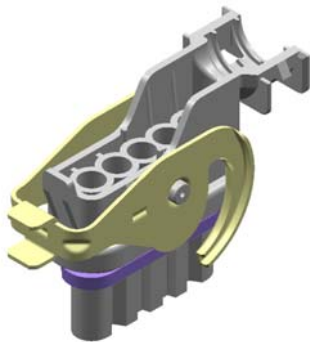
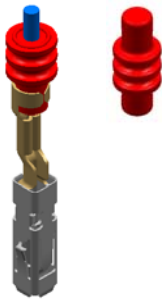
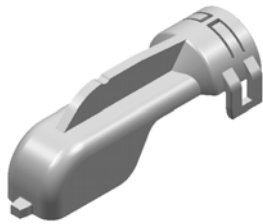
### Cavity plug

Part no.		16237 627 626	VQM brown
----------	--	---------------	-----------

### MKR Plus Housing

Part no.	18241 000 000
----------	---------------

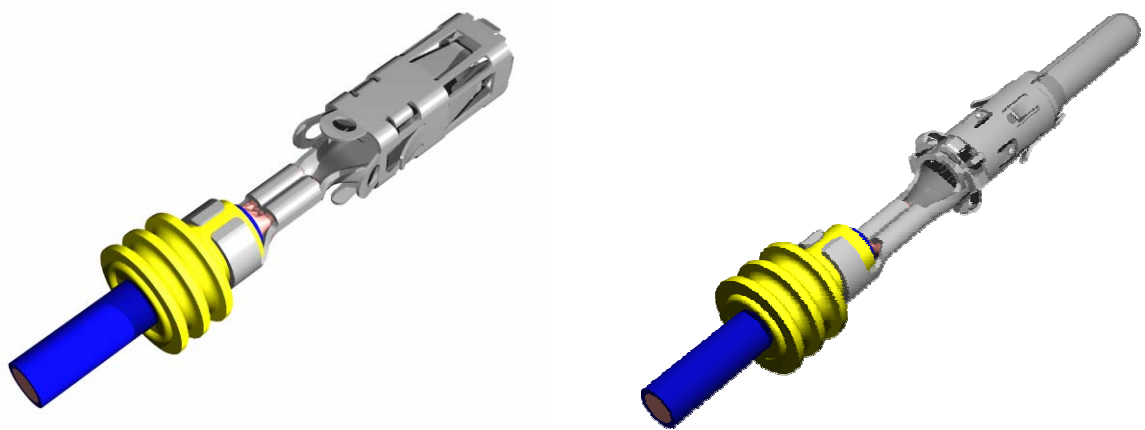
## 5-way MKR Plus housing 4-way MKR Plus housing System Data



Pos.	Characteristic	Value / Remark
<b>1</b>	<b>Electrical</b>	
1.1	Voltage	Max. 60 V
1.2	Current capacity	3 mA at U > 5 V up to 7 A at 90 °C (CuSn / tin) 100 °C (CuCrTiSi / silver) ambient temperature
1.3	Terminal resistance	< 10 mΩ at 1 A
1.4	Insulation resistance	≥ 10 MΩ
<b>2</b>	<b>Thermal</b>	
2.1	Temperature range	(depending on material / finish of terminals) CuSn / tin -40 °C to + 140 °C CuCrTiSi / silver -40 °C to + 150 °C
<b>3</b>	<b>Mechanical</b>	
3.1	No. of inserions	10
3.2	Retention force	> 80 N
<b>4</b>	<b>Climatic</b>	
4.1	Temperature humidity change	Accoding to DIN 72585-2
4.2	Temperature change	According to DIN 72585-2
<b>5</b>	<b>Chemical resistance</b>	Accoding to DIN 72585-2
<b>6</b>	<b>Protection class</b>	IPX9K DIN 40050-9
<b>7</b>	<b>Vibration resistance</b>	Acc. to DIN 72585-2 K2

# VKR Plus

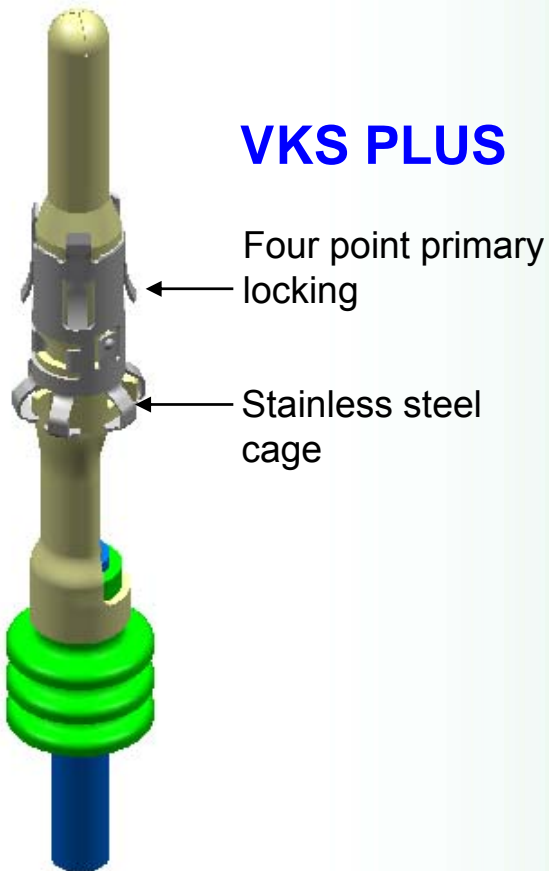
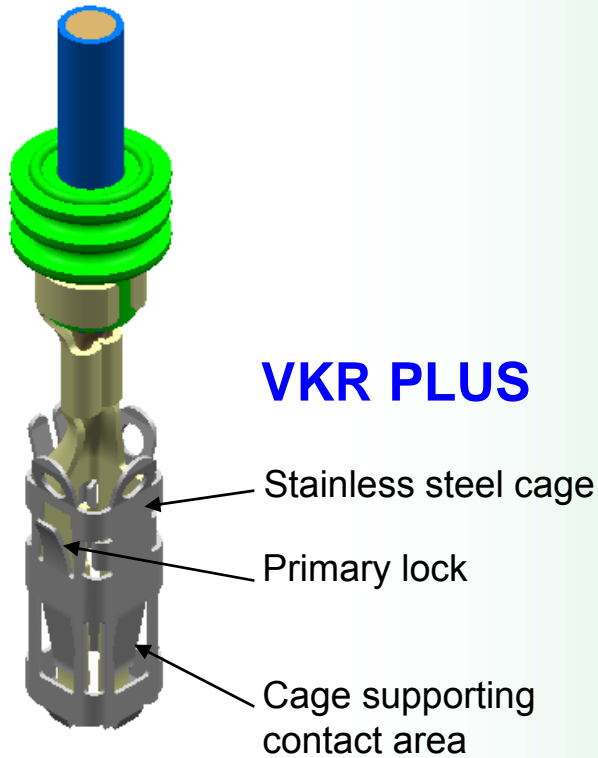
# VKS Plus



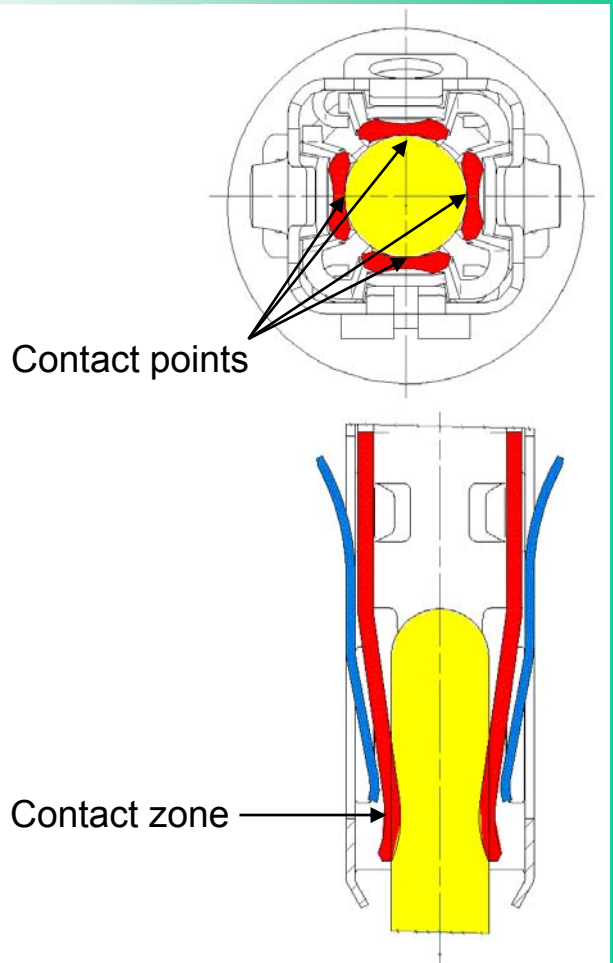
# System



# VKR Plus / VKS Plus Ø 2.5mm High vibration terminal system



## Contact principle



## Extraction tools

VKR Article number: 50000 017 590



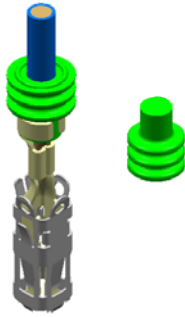
VKS Article number: 50000 017 600



Spares case Article number: 50000 038 567



# VKR Plus 2-way housing



## VKR Plus

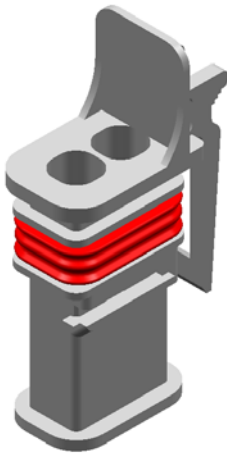
Wire size [mm <sup>2</sup> ]	Form	Part no.	Material / surface
0,5 – 1	Chain	26570 201 184	CuSn / Sn
	Single	46570 201 184	CuSn / Sn
1,5 – 2,5	Chain	26571 201 184	CuSn / Sn
	Single	46571 201 184	CuSn / Sn

## Single wire seal

0,5 – 1	14414 627 626	Brown
1,5 – 2,5	14415 627 670	Grey

## Cavity plug

	16315 627 646	Green
--	---------------	-------



## VKR Plus housing

Coding	0	5A	5B	6A	6B
Colour	Black	Black	Black	Black	Black
Part no.	18150 000 000	18182 000 000	18186 000 000	18185 000 000	18184 000 000
Coding		7A	7B	11A	11B
Colour		Grey	Grey	Grey	Grey
Part no.		18189 000 000	18009 000 000	18187 000 000	18188 000 000

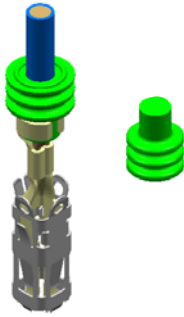
## Blank housing

Coding	0
Colour	Black
Part no.	18548 000 000

## Secondary lock

Part no	14833 601 628
---------	---------------

# VKR Plus 5-way housing



## VKR Plus

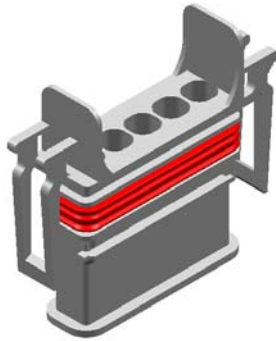
Wire size [mm <sup>2</sup> ]	Form	Part no.	Material / surface
0,5 – 1	Chain	26570 201 184	CuSn / Sn
	Single	46570 201 184	CuSn / Sn
1,5 – 2,5	Chain	26571 201 184	CuSn / Sn
	Single	46571 201 184	CuSn / Sn

## Single wire seal

0,5 – 1		14414 627 626	Brown
1,5 – 2,5		14415 627 670	Grey



## Cavity plug

		16315 627 646	Green
--	--	---------------	-------

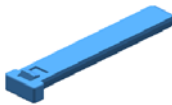


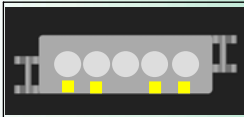
## VKR Plus housing

			
Coding	0	4	8
Colour	Black	Black	Black
Part no.	18010 000 000	18011 000 000	18012 000 000

		
Coding	12	13
Colour	Grey	Grey
Part no.	18014 000 000	18015 000 000

## Dummy plug

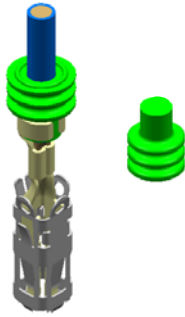


	
Coding	0
Colour	Black
Part no.	18547 000 000

## Secondary lock

Part no.	14834 601 628
----------	---------------

# VKR Plus 10-way housing



## VKR Plus

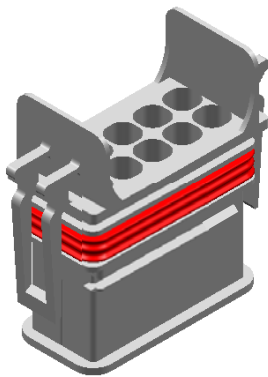
Wire size [mm <sup>2</sup> ]	Form	Part no.	Material / surface
0,5 – 1	Chain	26570 201 184	CuSn / Sn
	Single	46570 201 184	CuSn / Sn
1,5 – 2,5	Chain	26571 201 184	CuSn / Sn
	Single	46571 201 184	CuSn / Sn

## Single wire seal

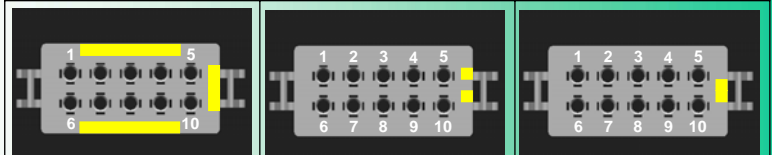
0,5 – 1	14414 627 626	Brown
1,5 – 2,5	14415 627 670	Grey

## Cavity plug

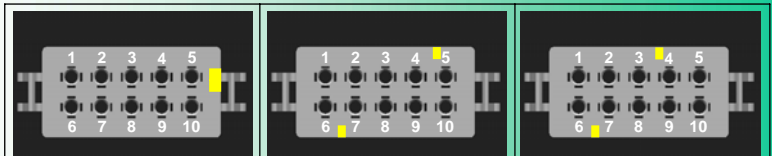
	16315 627 646	Green
--	---------------	-------



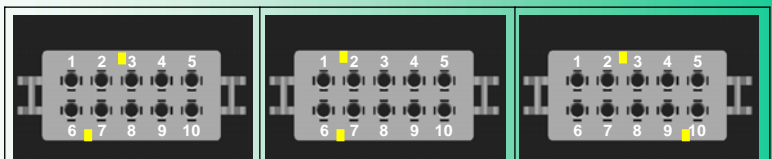
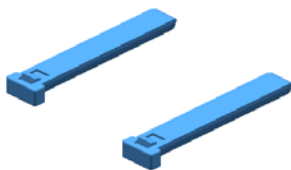
## VKR Plus housing



Coding	0	1	2
Colour	Black	Black	Black
Part no.	18142 000 000	18143 000 000	18144 000 000



Coding	3	4	5
Colour	Black	Black	Black
Part no.	18145 000 000	18889 000 000	18890 000 000



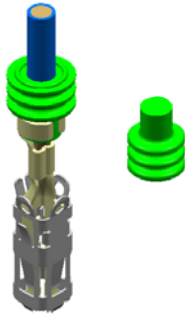
Coding	6	7	8
Colour	Black	Black	Black
Part no.	18891 000 000	18892 000 000	18893 000 000

## Secondary lock

Part no.	14834 601 628	(2 required)
----------	---------------	--------------

Further codings are shown on the next page

# VKR Plus 10-way housing



## VKR Plus

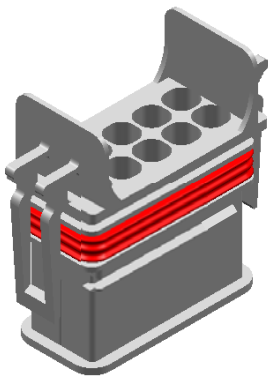
Wire size [mm <sup>2</sup> ]	Form	Part no.	Material / surface
0,5 – 1	Chain	26570 201 184	CuSn / Sn
	Single	46570 201 184	CuSn / Sn
1,5 – 2,5	Chain	26571 201 184	CuSn / Sn
	Single	46571 201 184	CuSn / Sn

## Single wire seal

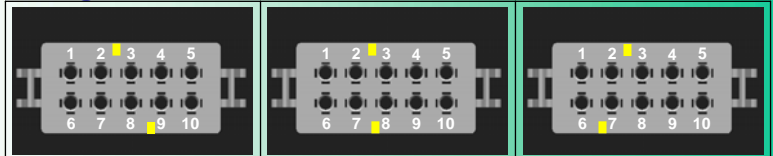
0,5 – 1	14414 627 626	Brown
1,5 – 2,5	14415 627 670	Grey

## Cavity plug

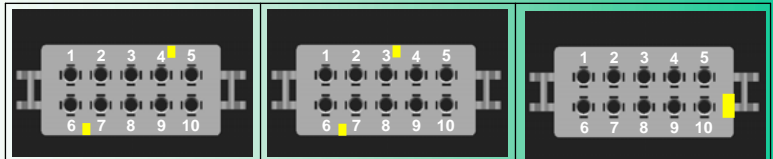
	16315 627 646	Green
--	---------------	-------



## VKR Plus housing

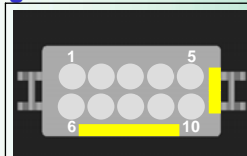
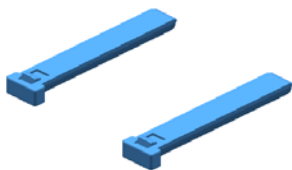


Coding	9	10	11
Colour	Grey	Grey	Grey
Part no.	18894 000 000	18895 000 000	18896 000 000



Coding	12	13	14
Colour	Black	Grey	Grey
Part no.	18897 000 000	18898 000 000	18879 000 000

## Dummy plug



Coding	0	7	8
Colour	Black	Black	Black
Part no.	18546 000 000	18892 000 000	18893 000 000

## Secondary lock

Part no.	14834 601 628	(2 required)
----------	---------------	--------------

# 4-way VKR Plus / VKS Plus connector DIN 72585 - vibration resistance: 20g



### Secondary lock

Part no.	16052 598 613
----------	---------------

### VKR Plus

Wire size [mm <sup>2</sup> ]	Form	Part no.	Material / surface	Temp range
0,5 – 1	Chain	26570 201 184	CuSn / Sn	-40 °C to +140 °C
	Chain	26570 306 141	CuCrTiSi / Ag	-40 °C to +150 °C
1,5 – 2,5	Single	46570 201 184	CuSn / Sn	-40 °C to +140 °C
	Chain	26571 201 184	CuSn / Sn	-40 °C to +140 °C
	Chain	26571 306 141	CuCrTiSi / Ag	-40 °C to +150 °C
	Single	46571 201 184	CuSn / Sn	-40 °C to +140 °C

### Single wire seal

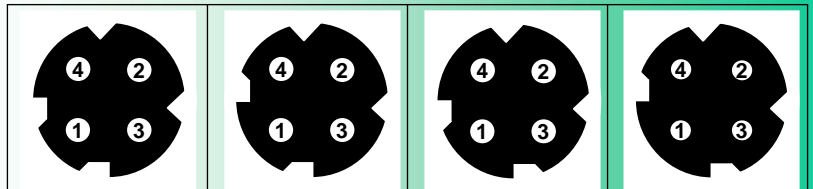
0,5 – 1		14414 627 626	Brown	
1,5 – 2,5		14415 627 670	Grey	

### Cavity plug

Part no.		16315 627 646	Green	
----------	--	---------------	-------	--



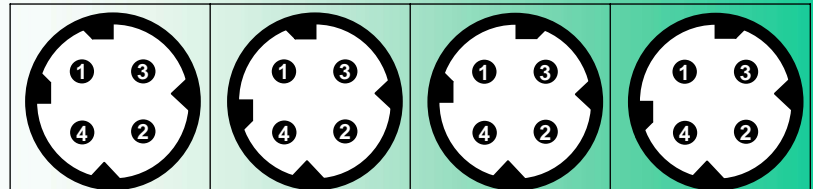
### VKR Plus housing – blue seal



Coding	B1	B2	B3	B4
Colour	Black	Grey	Green	Blue
Part-no.	17984 000 002	17985 000 002	17986 000 002	17987 000 002



### VKS Plus housing



Coding	B1	B2	B3	B4
Colour	Black	Grey	Green	Blue
Part-no.	14730 598 696	14731 598 663	14732 598 647	14733 598 636



### VKS Plus

Wire size [mm <sup>2</sup> ]	Form	Part no.	Material / surface	Temp range
0,5 – 1	Chain	26634 201 184	CuSn / Sn	-40 °C to +140 °C
	Chain	26634 306 141	CuCrTiSi / Ag	-40 °C to +150 °C
1,5 – 2,5	Single	46634 201 184	CuSn / Sn	-40 °C to +140 °C
	Chain	26633 201 184	CuSn / Sn	-40 °C to +140 °C
	Chain	26633 306 141	CuCrTiSi / Ag	-40 °C to +150 °C
	Single	46633 201 184	CuSn / Sn	-40 °C to +140 °C

### Single wire seal

0,5 – 1		14740 627 619	White	
1,5 – 2,5		14739 627 694	orange	

### Cavity plug

		14741 627 610	yellow	
--	--	---------------	--------	--

### Secondary lock

Part no.	16052 598 613
----------	---------------

# 4-way VKR Plus / VKS Plus connector DIN 72585 - vibration resistance: 30g



### Secondary lock

Part no.	16052 598 613
----------	---------------

### VKR Plus

Wire size [mm <sup>2</sup> ]	Form	Part no.	Material / surface	Temp range
0,5 – 1	Chain	26570 201 184	CuSn / Sn	-40 °C to +140 °C
	Chain	26570 306 141	CuCrTiSi / Ag	-40 °C to +150 °C
1,5 – 2,5	Single	46570 201 184	CuSn / Sn	-40 °C to +140 °C
	Chain	26571 201 184	CuSn / Sn	-40 °C to +140 °C
	Chain	26571 306 141	CuCrTiSi / Ag	-40 °C to +150 °C
	Single	46571 201 184	CuSn / Sn	-40 °C to +140 °C

### Single wire seal

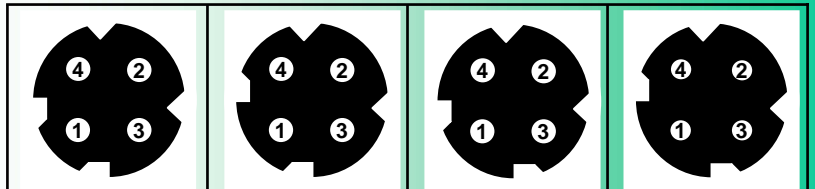
0,5 – 1		14414 627 626	Brown	
1,5 – 2,5		14415 627 670	Grey	

### Cavity plug

Part no.		16315 627 646	Green	
----------	--	---------------	-------	--



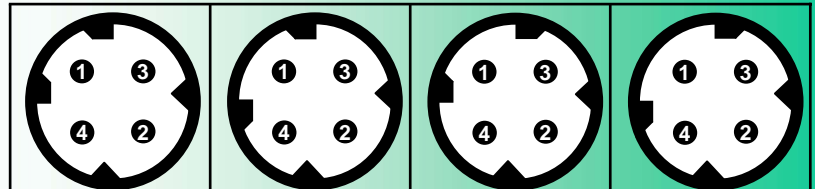
### VKR Plus housing – red seal



Coding	B1	B2	B3	B4
Colour	Black	Grey	Green	Blue
Part-no.	17984 000 001	17985 000 001	17986 000 001	17987 000 001



### VKS Plus housing



Coding	B1	B2	B3	B4
Colour	Black	Grey	Green	Blue
Part-no.	14730 598 696	14731 598 663	14732 598 647	14733 598 636



### VKS Plus

Wire size [mm <sup>2</sup> ]	Form	Part no.	Material / surface	Temp range
0,5 – 1	Chain	26634 201 184	CuSn / Sn	-40 °C to +140 °C
	Chain	26634 306 141	CuCrTiSi / Ag	-40 °C to +150 °C
1,5 – 2,5	Single	46634 201 184	CuSn / Sn	-40 °C to +140 °C
	Chain	26633 201 184	CuSn / Sn	-40 °C to +140 °C
	Chain	26633 306 141	CuCrTiSi / Ag	-40 °C to +150 °C
	Single	46633 201 184	CuSn / Sn	-40 °C to +140 °C

### Single wire seal

0,5 – 1		14740 627 619	White	
1,5 – 2,5		14739 627 694	orange	

### Cavity plug

		14741 627 610	yellow	
--	--	---------------	--------	--

### Secondary lock

Part no.	16052 598 613
----------	---------------

# 4-way VKR Plus / VKS Plus connector DIN 72585 - vibration resistance: 20g

## Secondary lock

Part no.	16052 598 613
----------	---------------

## VKR Plus

Wire size [mm <sup>2</sup> ]	Form	Part no.	Material / surface	Temp range
0,5 – 1	Chain	26570 201 184	CuSn / Sn	-40 °C to +140 °C
	Chain	26570 306 141	CuCrTiSi / Ag	-40 °C to +150 °C
1,5 – 2,5	Single	46570 201 184	CuSn / Sn	-40 °C to +140 °C
	Chain	26571 201 184	CuSn / Sn	-40 °C to +140 °C
	Chain	26571 306 141	CuCrTiSi / Ag	-40 °C to +150 °C
Single	46571 201 184	CuSn / Sn	-40 °C to +140 °C	

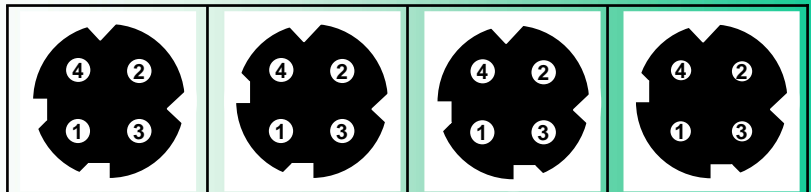
## Single wire seal

0,5 – 1		14414 627 626	Brown	
1,5 – 2,5		14415 627 670	Grey	

## Cavity plug

Part no.		16315 627 646	Green	
----------	--	---------------	-------	--

## VKR Plus housing – blue seal

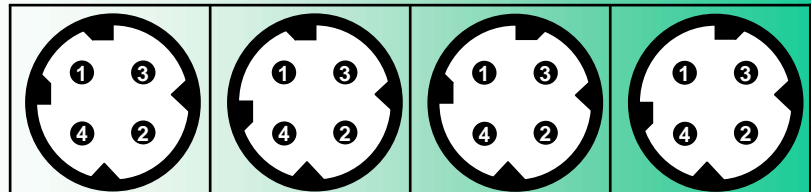


Coding	B1	B2	B3	B4
Colour	Black	Grey	Green	Blue
Part-no.	17984 000 002	17985 000 002	17986 000 002	17987 000 002

## Locking nut

Part no.	16115 568 699
----------	---------------

## VKS Plus housing



Coding	B1	B2	B3	B4
Colour	Black	Grey	Green	Blue
Part-no.	18337 000 000	18338 000 000	18339 000 000	18340 000 000

## VKS Plus

Wire size [mm <sup>2</sup> ]	Form	Part no.	Material / surface	Temp range
0,5 – 1	Chain	26634 201 184	CuSn / Sn	-40 °C to +140 °C
	Chain	26634 306 141	CuCrTiSi / Ag	-40 °C to +150 °C
1,5 – 2,5	Single	46634 201 184	CuSn / Sn	-40 °C to +140 °C
	Chain	26633 201 184	CuSn / Sn	-40 °C to +140 °C
	Chain	26633 306 141	CuCrTiSi / Ag	-40 °C to +150 °C
Single	46633 201 184	CuSn / Sn	-40 °C to +140 °C	

## Single wire seal

0,5 – 1		14740 627 619	White	
1,5 – 2,5		14739 627 694	orange	

## Cavity plug

## Secondary lock

Part no.	16052 598 613
----------	---------------



## 4-way VKR Plus / VKS Plus connector DIN 72585 - vibration resistance: 30g

### Secondary lock

Part no.	16052 598 613
----------	---------------

### VKR Plus

Wire size [mm <sup>2</sup> ]	Form	Part no.	Material / surface	Temp range
0,5 – 1	Chain	26570 201 184	CuSn / Sn	-40 °C to +140 °C
	Chain	26570 306 141	CuCrTiSi / Ag	-40 °C to +150 °C
1,5 – 2,5	Single	46570 201 184	CuSn / Sn	-40 °C to +140 °C
	Chain	26571 201 184	CuSn / Sn	-40 °C to +140 °C
	Chain	26571 306 141	CuCrTiSi / Ag	-40 °C to +150 °C
	Single	46571 201 184	CuSn / Sn	-40 °C to +140 °C

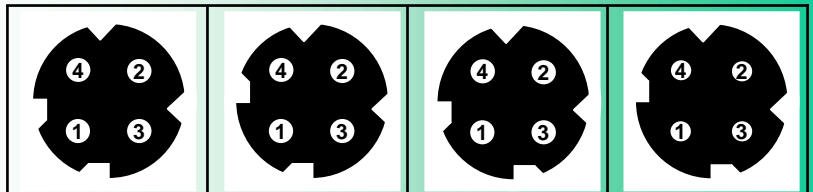
### Single wire seal

0,5 – 1		14414 627 626	Brown	
1,5 – 2,5		14415 627 670	Grey	

### Cavity plug

Part no.		16315 627 646	Green	
----------	--	---------------	-------	--

### VKR Plus housing – red seal

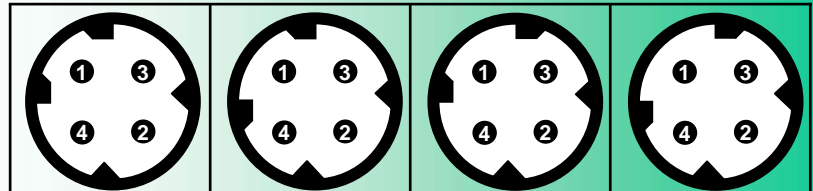


Coding	B1	B2	B3	B4
Colour	Black	Grey	Green	Blue
Part-no.	17984 000 001	17985 000 001	17986 000 001	17987 000 001

### Locking nut

Part no.	16115 568 699
----------	---------------

### VKS Plus housing



Coding	B1	B2	B3	B4
Colour	Black	Grey	Green	Blue
Part-no.	18337 000 000	18338 000 000	18339 000 000	18340 000 000

### VKS Plus

Wire size [mm <sup>2</sup> ]	Form	Part no.	Material / surface	Temp range
0,5 – 1	Chain	26634 201 184	CuSn / Sn	-40 °C to +140 °C
	Chain	26634 306 141	CuCrTiSi / Ag	-40 °C to +150 °C
1,5 – 2,5	Single	46634 201 184	CuSn / Sn	-40 °C to +140 °C
	Chain	26633 201 184	CuSn / Sn	-40 °C to +140 °C
	Chain	26633 306 141	CuCrTiSi / Ag	-40 °C to +150 °C
	Single	46633 201 184	CuSn / Sn	-40 °C to +140 °C

### Single wire seal

0,5 – 1		14740 627 619	White	
1,5 – 2,5		14739 627 694	orange	

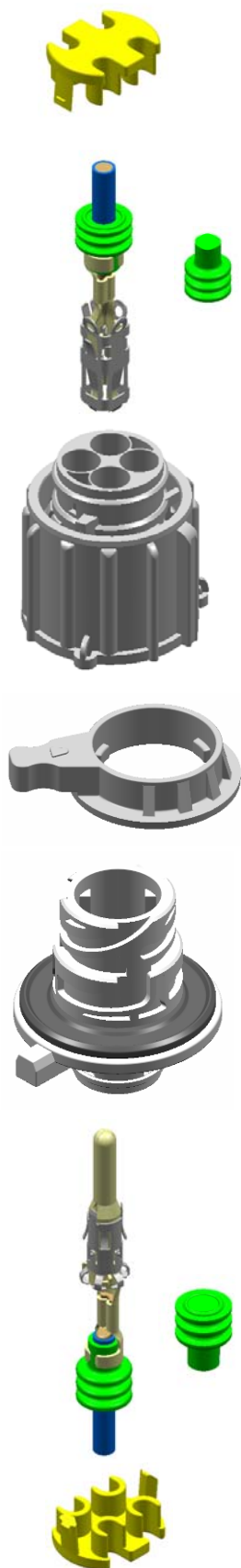
### Cavity plug

		14741 627 610	yellow	
--	--	---------------	--------	--

### Secondary lock

Part no.	16052 598 613
----------	---------------

## 4-way VKR Plus / VKS Plus connector Common rail application



### Secondary lock

Part no.	16052 598 613
----------	---------------

### VKR Plus

Wire size [mm <sup>2</sup> ]	Form	Part no.	Material / surface	Temp range
0,5 – 1	Chain	26570 201 184	CuSn / Sn	-40 °C to +140 °C
	Chain	26570 306 141	CuCrTiSi / Ag	-40 °C to +150 °C
1,5 – 2,5	Single	46570 201 184	CuSn / Sn	-40 °C to +140 °C
	Chain	26571 201 184	CuSn / Sn	-40 °C to +140 °C
	Chain	26571 306 141	CuCrTiSi / Ag	-40 °C to +150 °C
	Single	46571 201 184	CuSn / Sn	-40 °C to +140 °C

### Single wire seal

0,5 – 1		14414 627 626	Brown	
1,5 – 2,5		14415 627 670	Grey	

### Cavity plug

Part no.		16315 627 646	Green	
----------	--	---------------	-------	--

### VKR Plus housing – red seal

Coding	B1	B2	B3	B4
Colour	Black	Grey	Green	Blue
Part-no.	17984 000 001	17985 000 001	17986 000 001	17987 000 001

### Locking nut

Part no.	13054 568 699
----------	---------------

### VKS Plus housing with flange

Coding	B1			
Colour	Black			
Part-no.	18386 000 000			

### VKS Plus

Wire size [mm <sup>2</sup> ]	Form	Part no.	Material / surface	Temp range
0,5 – 1	Chain	26634 201 184	CuSn / Sn	-40 °C to +140 °C
		26634 306 141	CuCrTiSi / Ag	-40 °C to +150 °C
1,5 – 2,5	Single	46634 201 184	CuSn / Sn	-40 °C to +140 °C
	Chain	26633 201 184	CuSn / Sn	-40 °C to +140 °C
		26633 306 141	CuCrTiSi / Ag	-40 °C to +150 °C
	Single	46633 201 184	CuSn / Sn	-40 °C to +140 °C

### Single wire seal

0,5 – 1		14740 627 619	White	
1,5 – 2,5		14739 627 694	orange	

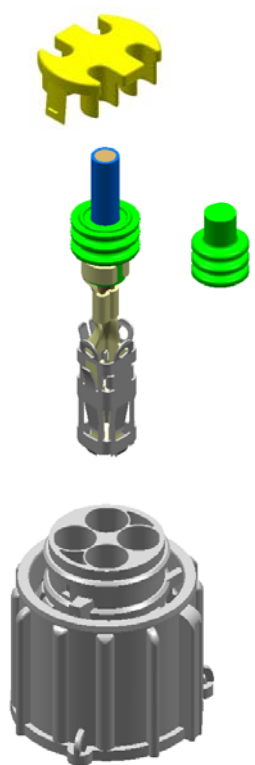
### Cavity plug

		14741 627 610	yellow	
--	--	---------------	--------	--

### Secondary lock

Part no.	16052 598 613
----------	---------------

# 4-way VKR Plus / Pin connector DIN 72585 - vibration resistance: 30g



### Secondary lock

Part no.	16052 598 613
----------	---------------

### VKR Plus

Wire size [mm <sup>2</sup> ]	Form	Part no.	Material / surface	Temp range
0,5 – 1	Chain	26570 201 184	CuSn / Sn	-40 °C to +140 °C
	Chain	26570 306 141	CuCrTiSi / Ag	-40 °C to +150 °C
1,5 – 2,5	Single	46570 201 184	CuSn / Sn	-40 °C to +140 °C
	Chain	26571 201 184	CuSn / Sn	-40 °C to +140 °C
	Chain	26571 306 141	CuCrTiSi / Ag	-40 °C to +150 °C
	Single	46571 201 184	CuSn / Sn	-40 °C to +140 °C

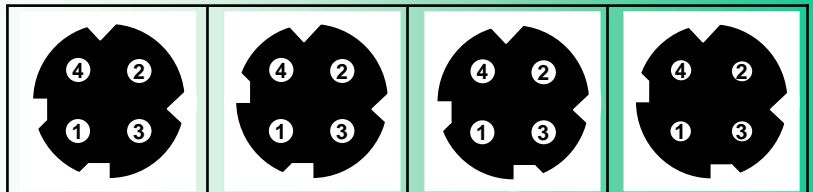
### Single wire seal

0,5 – 1		14414 627 626	Brown	
1,5 – 2,5		14415 627 670	Grey	

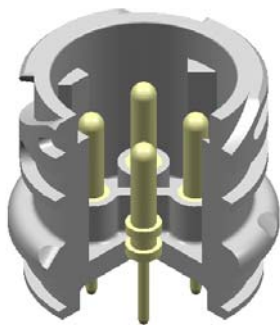
### Cavity plug

Part no.		16315 627 646	Green	
----------	--	---------------	-------	--

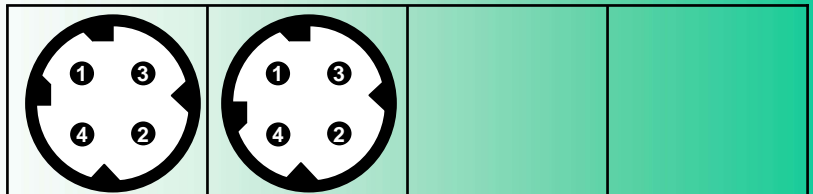
### VKR Plus housing – red seal



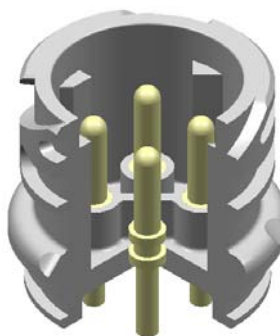
Coding	B1	B2	B3	B4
Colour	Black	Grey	Green	Blue
Part-no.	17984 000 001	17985 000 001	17986 000 001	17987 000 001



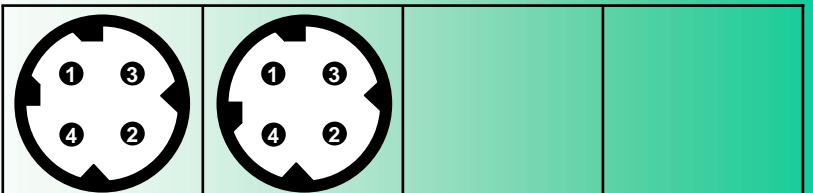
### Pin housing (Ø2,5 mm tin plated, solid solder joint Ø1,5)



Coding	B1	B2		
Colour	Black	Grey		
Part-no.	18565 000 000	18566 000 000		

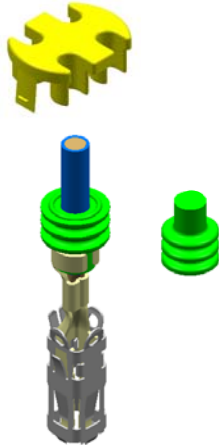


### Pin housing (Ø2,5 mm tin plated, hollow solder joint)



Coding	B1	B2		
Colour	Black	Grey		
Part-no.	18563 000 000	18564 000 000		

# 4-way VKR Plus / Pin connector DIN 72585 - vibration resistance: 20g



### Secondary lock

Part no.	16052 598 613
----------	---------------

### VKR Plus

Wire size [mm <sup>2</sup> ]	Form	Part no.	Material / surface	Temp range
0,5 – 1	Chain	26570 201 184	CuSn / Sn	-40 °C to +140 °C
	Chain	26570 306 141	CuCrTiSi / Ag	-40 °C to +150 °C
1,5 – 2,5	Single	46570 201 184	CuSn / Sn	-40 °C to +140 °C
	Chain	26571 201 184	CuSn / Sn	-40 °C to +140 °C
	Chain	26571 306 141	CuCrTiSi / Ag	-40 °C to +150 °C
	Single	46571 201 184	CuSn / Sn	-40 °C to +140 °C

### Single wire seal

0,5 – 1		14414 627 626	Brown	
1,5 – 2,5		14415 627 670	Grey	

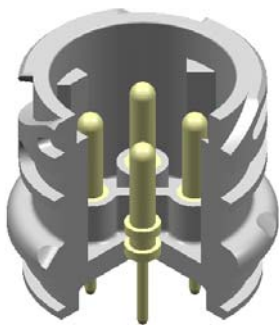
### Cavity plug

Part no.		16315 627 646	Green	
----------	--	---------------	-------	--



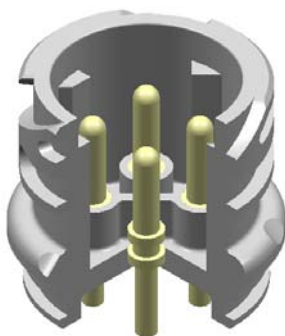
### VKR Plus housing – blue seal

Coding	B1	B2	B3	B4
Colour	Black	Grey	Green	Blue
Part-no.	17984 000 002	17985 000 002	17986 000 002	17987 000 002



### Pin housing (Ø2,5 mm tin plated, solid solder joint Ø1,5)

Coding	B1	B2		
Colour	Black	Grey		
Part-no.	18565 000 000	18566 000 000		



### Pin housing (Ø2,5 mm tin plated, hollow solder joint)

Coding	B1	B2		
Colour	Black	Grey		
Part-no.	18563 000 000	18564 000 000		

## 4-way VKR Plus / Pin connector with filter disc DIN 72585 - vibration resistance: 20g



### Secondary lock

Part no.	16052 598 613
----------	---------------

### VKR Plus

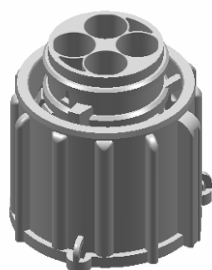
Wire size [mm <sup>2</sup> ]	Form	Part no.	Material / surface	Temp range
0,5 – 1	Chain	26570 201 184	CuSn / Sn	-40 °C to +140 °C
	Chain	26570 306 141	CuCrTiSi / Ag	-40 °C to +150 °C
1,5 – 2,5	Single	46570 201 184	CuSn / Sn	-40 °C to +140 °C
	Chain	26571 201 184	CuSn / Sn	-40 °C to +140 °C
	Chain	26571 306 141	CuCrTiSi / Ag	-40 °C to +150 °C
	Single	46571 201 184	CuSn / Sn	-40 °C to +140 °C

### Single wire seal

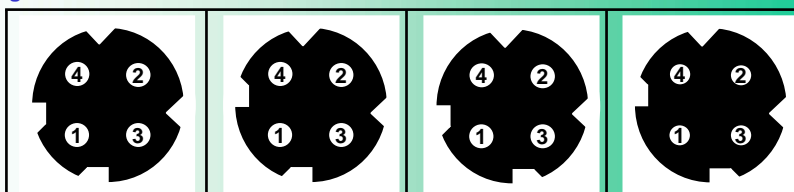
0,5 – 1		14414 627 626	Brown	
1,5 – 2,5		14415 627 670	Grey	

### Cavity plug

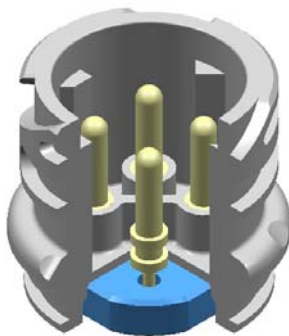
Part no.		16315 627 646	Green	
----------	--	---------------	-------	--



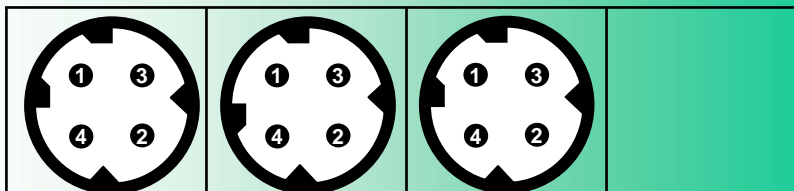
### VKR Plus housing – blue seal



Coding	B1	B2	B3	B4
Colour	Black	Grey	Green	Blue
Part-no.	17984 000 002	17985 000 002	17986 000 002	17987 000 002

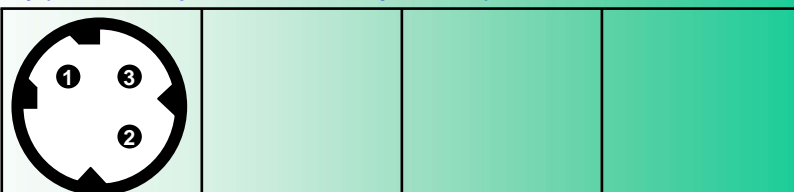


### Pin housing (Ø2,5 mm tin plated, solid solder joint Ø1,5)



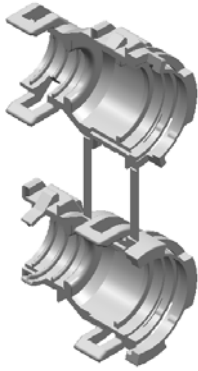
Coding	B1	B2		
Colour	Black	Grey		
Part-no.	18568 000 000	18955 000 000	18957 000 000	

### Pin housing – 3-way (Ø2,5 mm tin plated, solid solder joint Ø1,5)






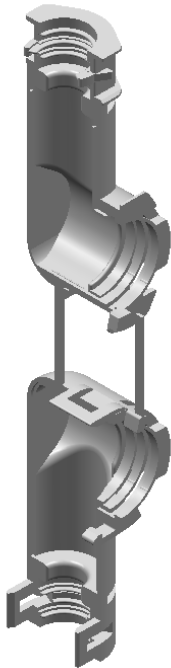
Coding	B1	B2		
Colour	Black	Grey		
Part-no.	18563 000 000	18564 000 000		

# MKR Plus / MKS Plus End housings

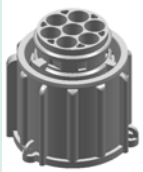




## Adapter for corrugated tube, straight

	Fitting to connectors shown on previous pages (see pictures)		
	18369 17019	16765	18343 18520
			
Nominal size 7,5	13405 625 699		
Nominal size 8,5	13406 625 699		
Nominal size 10	13407 625 699		



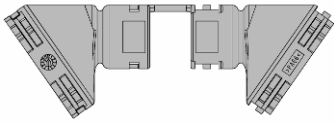
## Adapter for corrugated tube, 90°

	Fitting to connectors shown on previous pages (see pictures)		
	18369 17019	16765	18343 18520
			
Nominal size 7,5	14829 625 699		
Nominal size 8,5	14873 625 699		
Nominal size 10	14828 625 699		
For multicore cable Ø11 mm	14830 625 699		

## Adapter for corrugated tube, 90°, with overwind protection

Nominal size 7,5	14930 625 699
Nominal size 8,5	14931 625 699
Nominal size 10	14932 625 699
For multicore cable Ø11 mm	14929 625 699

# VKR-MKR Plus / VKS-MKS Plus 12-way connector



## Adapter for corrugated tube

Nominal size 13	14284 000 000
Nominal size 17	14270 000 000



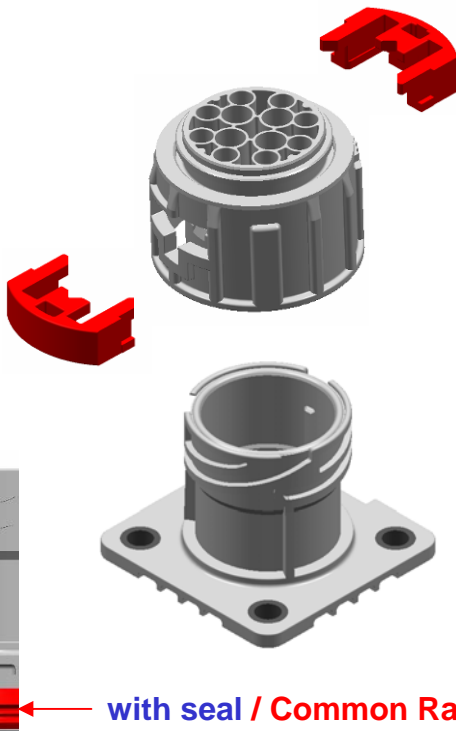
## VKR Plus

Wire size [ mm²]	Form	Part no.	Material / finish	Temp range
0,5 to 1	Chain	26570 201 184	CuSn / Sn	-40 °C to +140 °C
	Chain	26570 306 141	CuCrTiSi / Ag	-40 °C to + 150 °C
	Single	46570 201 184	CuSn / Sn	-40 °C to +140 °C
<b>Single wire seal</b>		14414 627 626		
1,5 to 2,5	Chain	26571 201 184	CuSn / Sn	-40 °C to +140 °C
	Chain	26571 306 141	CuCrTiSi / Ag	-40 °C to + 150 °C
	Single	46571 201 184	CuSn / Sn	-40 °C to +140 °C
<b>Single wire seal</b>		14415 627 670		
<b>Cavity plug</b>		16315 627 646		



## MKR Plus

Wire size [ mm²]	Form	Part no.	Material / finish	Temp range
0,5 to 1	Chain	26806 201 184	CuSn / Sn	-40 °C to +140 °C
	Chain	26806 306 141	CuCrTiSi / Ag	-40 °C to + 150 °C
	Single	46806 201 184	CuSn / Sn	-40 °C to +140 °C
<b>Single wire seal</b>		16695 627 642		
1,5 to 2,5	Chain	26807 201 184	CuSn / Sn	-40 °C to +140 °C
	Chain	26807 306 141	CuCrTiSi / Ag	-40 °C to + 150 °C
	Single	46807 201 184	CuSn / Sn	-40 °C to +140 °C
<b>Single wire seal</b>		16694 627 626		
<b>Cavity plug</b>		16237 627 626		



## Secondary lock

Part no.	14909 598 621	Use 2 x
----------	---------------	---------

## VKR / MKR Plus housing

Part no.	18562 000 000	Customer specific
	18249 000 000	

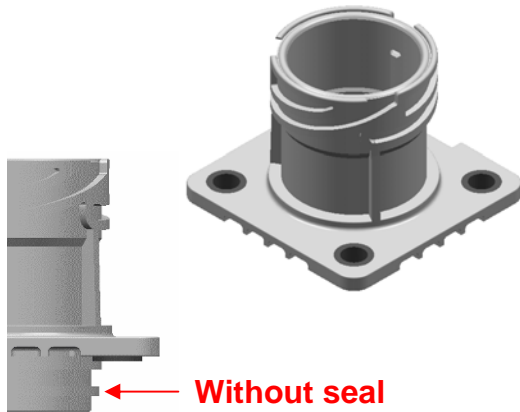
## VKS / MKS Plus housing

Part no.	18531 000 000
----------	---------------

with seal / Common Rail application

Further information see the next page

# VKR-MKR Plus / VKS-MKS Plus 12-way connector



### VKS / MKS Plus housing

Part no	18248 000 000	Customer specific
---------	---------------	-------------------

← Without seal



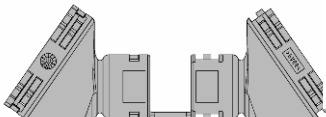
### MKS Plus

Wire size [mm <sup>2</sup> ]	Form	Part no.	Material / finish	Temp range
0,5 to 1	Chain	25678 201 184	CuSn / Sn	-40 °C to +140 °C
	Chain	25678 306 141	CuCrTiSi / Ag	-40 °C to + 150 °C
	Single	45678 201 184	CuSn / Sn	-40 °C to +140 °C
<b>Single wire seal</b>		16695 627 642		
1,5 – 2,5	Chain	25719 201 184	CuSn / Sn	-40 °C to +140 °C
	Chain	25719 306 141	CuCrTiSi / Ag	-40 °C to + 150 °C
	Single	45719 201 184	CuSn / Sn	-40 °C to +140 °C
<b>Single wire seal</b>		16694 627 626		
<b>Cavity plug</b>		16237 627 626		



### VKS Plus

Wire size [mm <sup>2</sup> ]	Form	Part no.	Material / finish	Temp range
0,5 to 1	Chain	26634 201 184	CuSn / Sn	-40 °C to +140 °C
	Chain	26634 306 141	CuCrTiSi / Ag	-40 °C to + 150 °C
	Single	46634 201 184	CuSn / Sn	-40 °C to +140 °C
<b>Single wire seal</b>		14740 627 694		
1,5 – 2,5	Chain	26633 201 184	CuSn / Sn	-40 °C to +140 °C
	Chain	26633 306 141	CuCrTiSi / Ag	-40 °C to + 150 °C
	Single	46633 201 184	CuSn / Sn	-40 °C to +140 °C
<b>Single wire seal</b>		14739 627 619		
<b>Cavity plug</b>		14741 627 610		



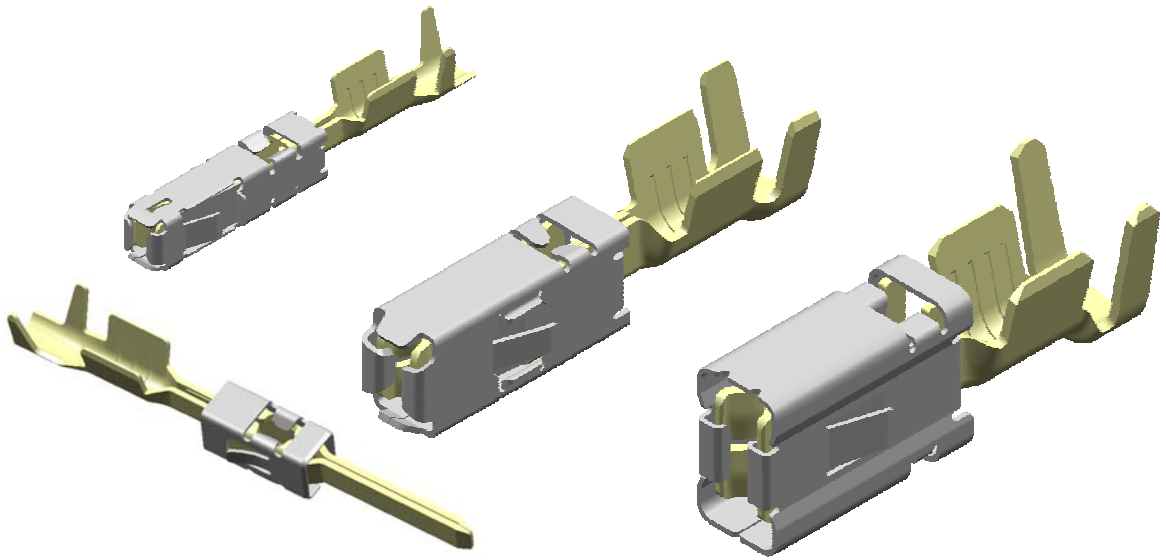
### Adapter for corrugated tube

(not for common rail application)

Nominal size 13	14284 000 000
Nominal size 17	14270 000 000

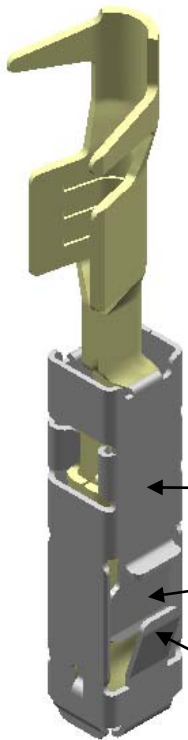


# MAK MAS



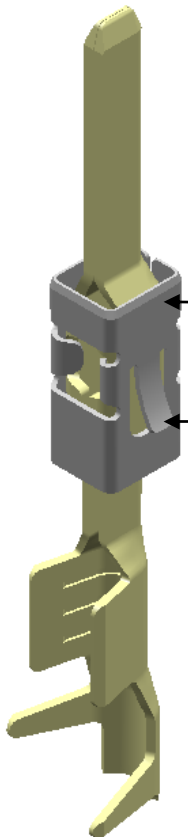
# System

# MAK 15 / MAS 15 Steel spring supported system



## MAK 15

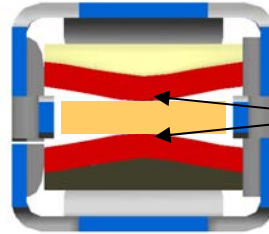
- ← Stainless steel cage
- ← Stainless steel cage supporting contact fingers
- ← Primary lock made from stainless steel



## MAS 15

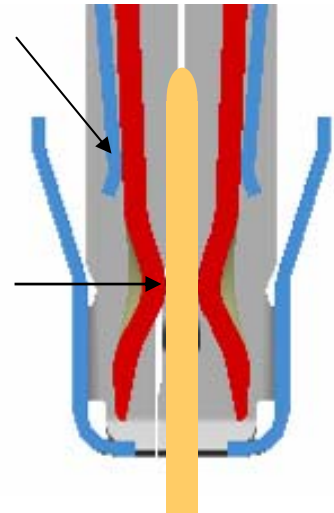
- ← Stainless steel cage
- ← Primary lock made from stainless steel

## Kontaktierungsprinzip



Contact zone

Stainless steel support



Contact zone

## Extraction tools

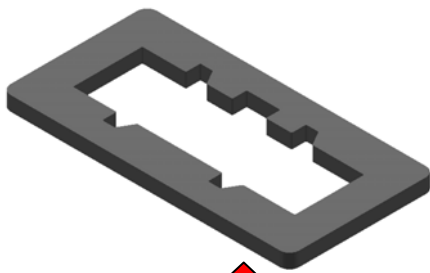
MAK 15 Article number: 50000 017 610



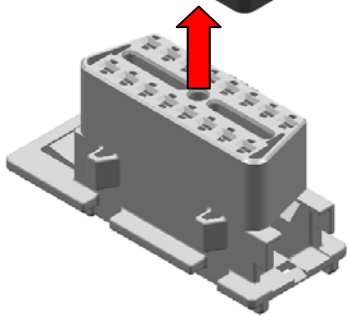
MAS 15 Article number: 50000 017 587



# MAK 15 OBD diagnostic housing



**Panel shape, t = (see table)**  
**Housing assembly from behind**

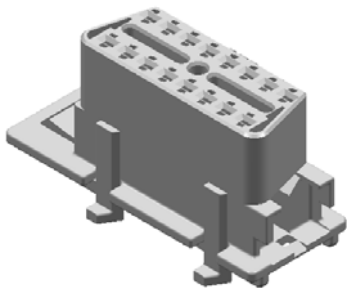


Article No.:

MAK 15 housing			
t = 3 mm	Part no.	13561 601 636	blue
t = 2 mm	Part no.	13600 601 636	blue



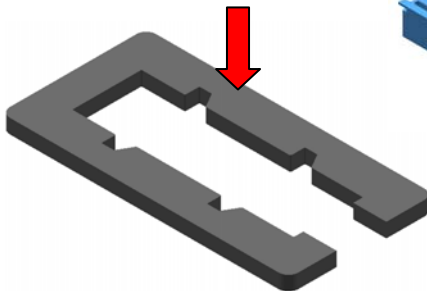
Secondary lock		
Part no.	13563 592 613	Yellow



MAK 15 housing		
Part no:	13662 601 636	Blue



Secondary lock		
Part no.	13563 592 613	Yellow



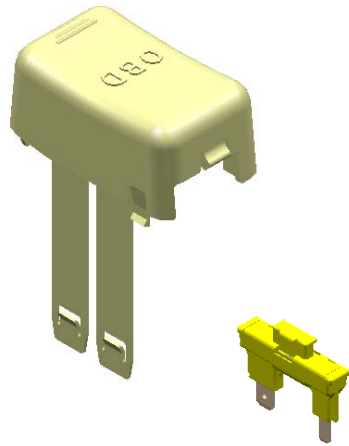
**Panel shape, t = 3.0mm**  
**Housing assembly from the front**



## MAK 15

Wire size in mm <sup>2</sup>	Form:	Article No.:	Material
0,50 – 1,00	Chain	<b>28288 306 718</b>	CuCrTiSi sel Pd
0,50 – 1,00	Chain	<b>28288 306 702</b>	CuCrTiSi sel Au

# MAK 15 OBD diagnostic housing

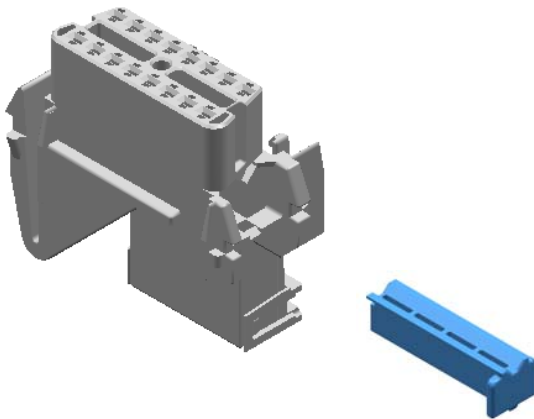


## Cap

Article no	13616 505 600	Dark grey
------------	---------------	-----------

## Resistor 120 Ohm

Article no	17009 050 000	Black
------------	---------------	-------



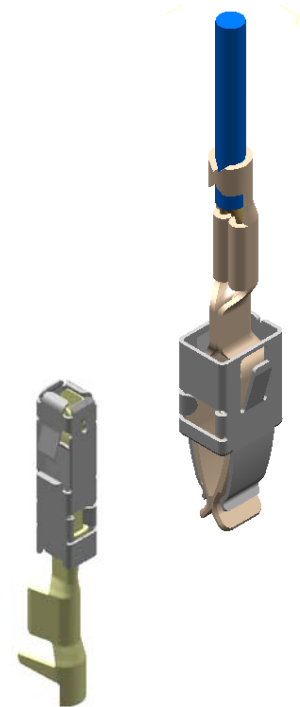
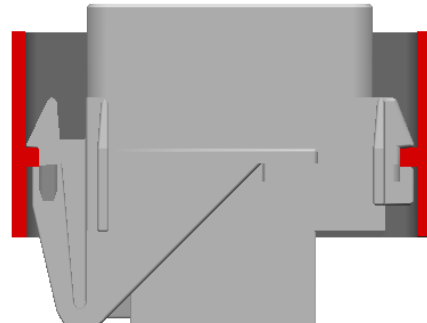
## MAK 15 Housing

Article no	13614 669 636	blue
------------	---------------	------

## Secondary Lock

Article no	13563 592 613	yellow
------------	---------------	--------

## Panel thickness $t = 2.4\text{mm}$



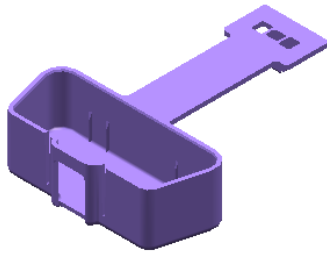
## AFK 2,8 resistor terminal

Wire size	Form	Article no	Material
0,50 – 1,00	Chain	26701 201 185	CuSn tinned

## MAK 15

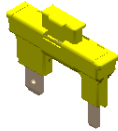
Wire size	Form	Article no	Material
0,50 – 1,00	Chain	28288 306 718	CuCrTiSi sel Pd

# MAK 15 OBD diagnostic housing



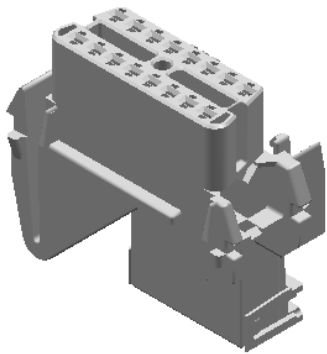
### Cap

Part no.	13615 587 637	Blue
----------	---------------	------



### Resistor 120 Ohm

Part no.	17009 050 000	Black
----------	---------------	-------



### MAK 15 Housing

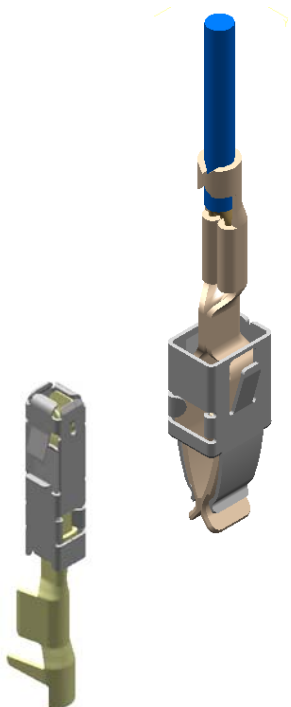
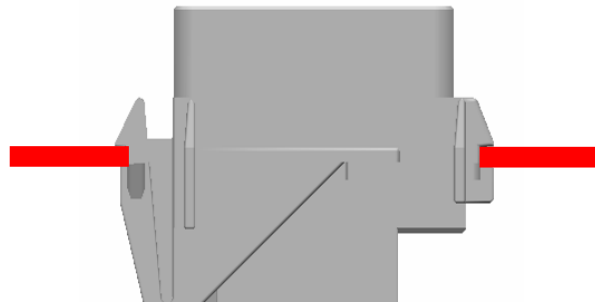
Part no.	13614 669 636	blue
----------	---------------	------



### Secondary Lock

Part no.	13563 592 613	yellow
----------	---------------	--------

## Panel thickness $t = 2.0\text{mm}$



### AFK 2,8 resistor terminal

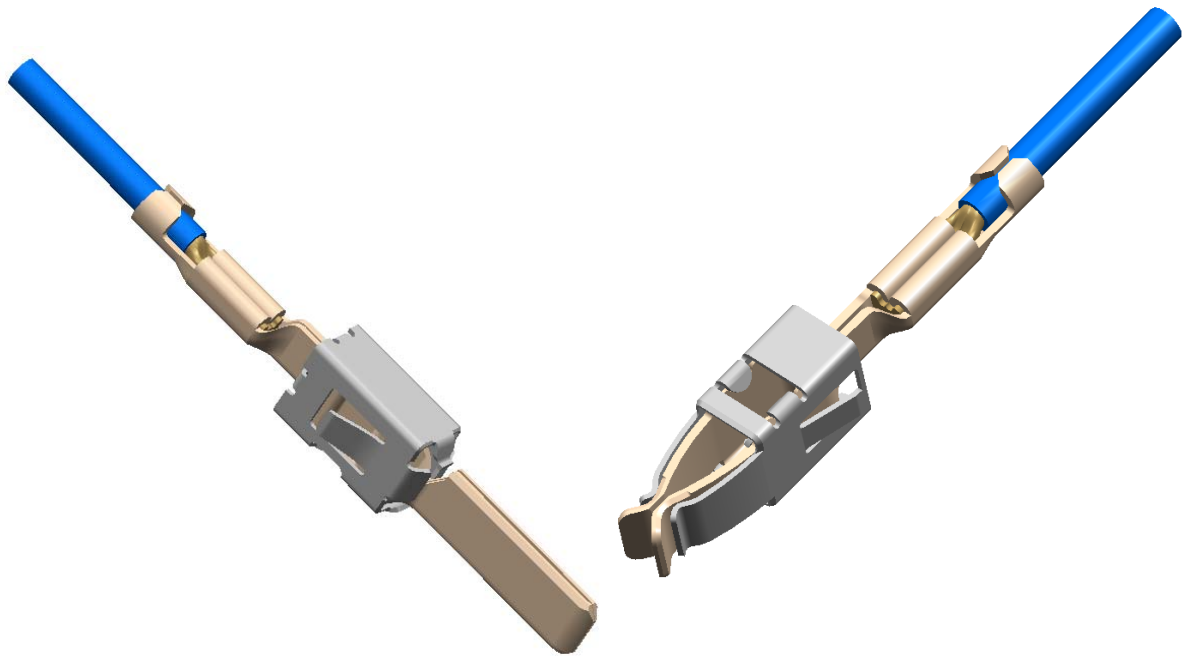
Wire size	Form	Part no.	Material
0,50 – 1,00	Chain	26701 201 185	CuSn tinned

### MAK 15

Wire size	Form	Part no.	Material
0,50 – 1,00	Chain	28288 306 718	CuCrTiSi sel Pd

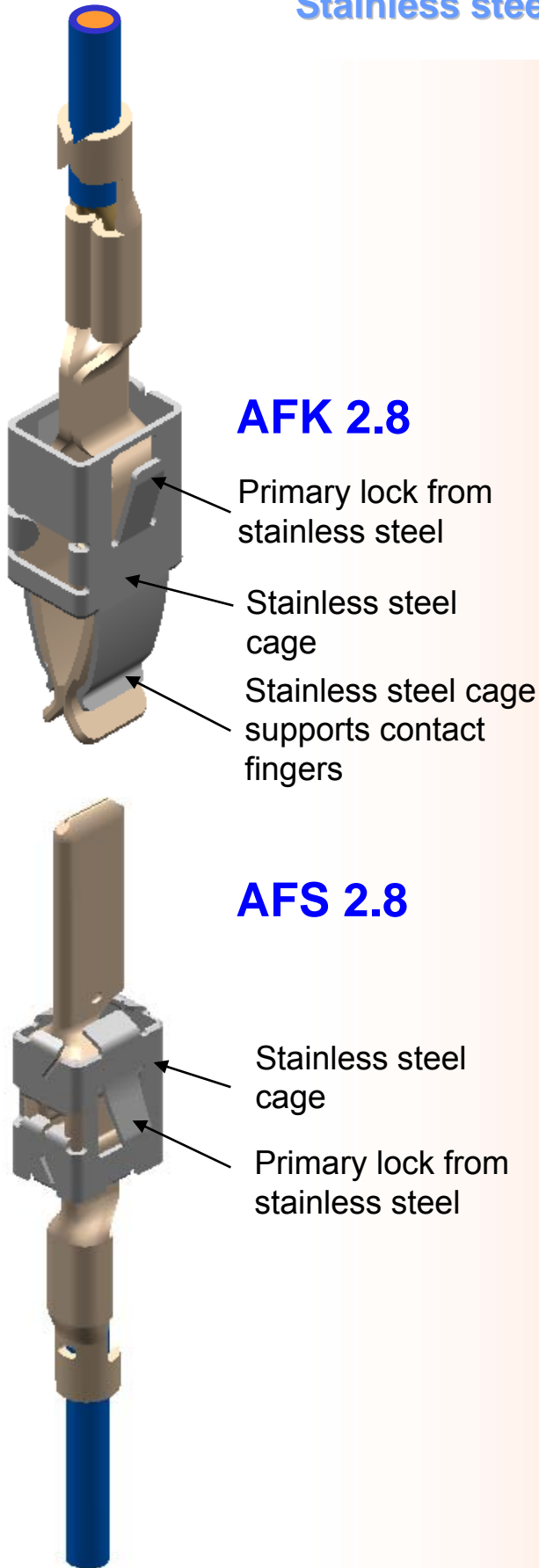
# AFK

# AFS

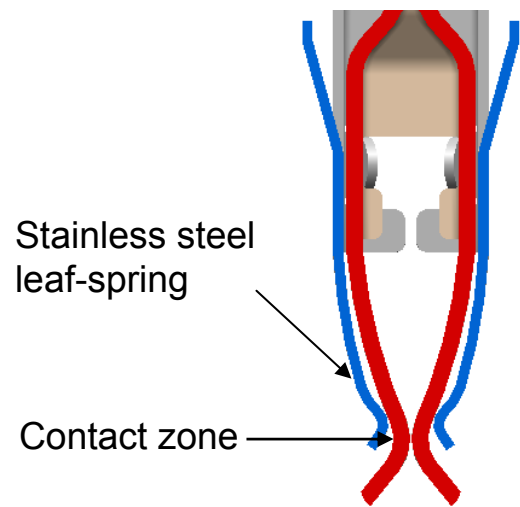
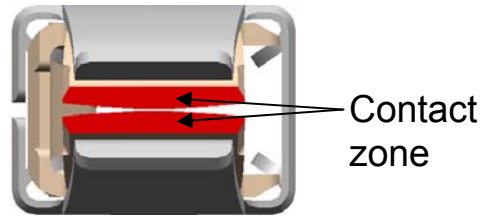


# System

## AFK 2.8 / AFS 2.8 Stainless steel leaf-spring terminal system



### Contact principle



### Extraction tools

AFK 2.8 Article-Nr.: 50000 017 586



AFS 2.8 Article-Nr.: 50000 017 598



## AFK 2.8 / AFS 2.8 Housing with lever latching, 24-way

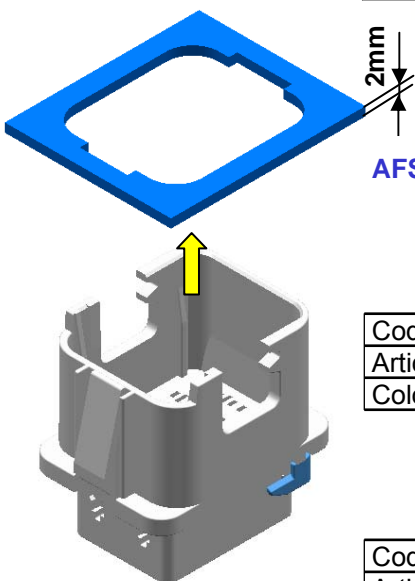


### AFK 2.8

Wire size in mm <sup>2</sup>	Form	Article no	Material
0,5 – 1,0	Chain	26701 201 185	CuSn tinned
0,5 – 1,0	Single	46701 201 185	CuSn tinned
1,5 – 2,5	Chain	26705 201 185	CuSn tinned
1,5 – 2,5	Single	46705 201 185	CuSn tinned

### AFK 2.8 housing

Code	0	1	2	3
Article no	18821 000 000	18796 000 000	18797 000 000	18798 000 000
Colour	Black	Yellow	Green	Blue
Code	4	5	6	7
Article no	18799 000 000	18800 000 000	18801 000 000	18822 000 000
Colour	Neutral	Red	Grey	Brown



### AFS 2.8 housing

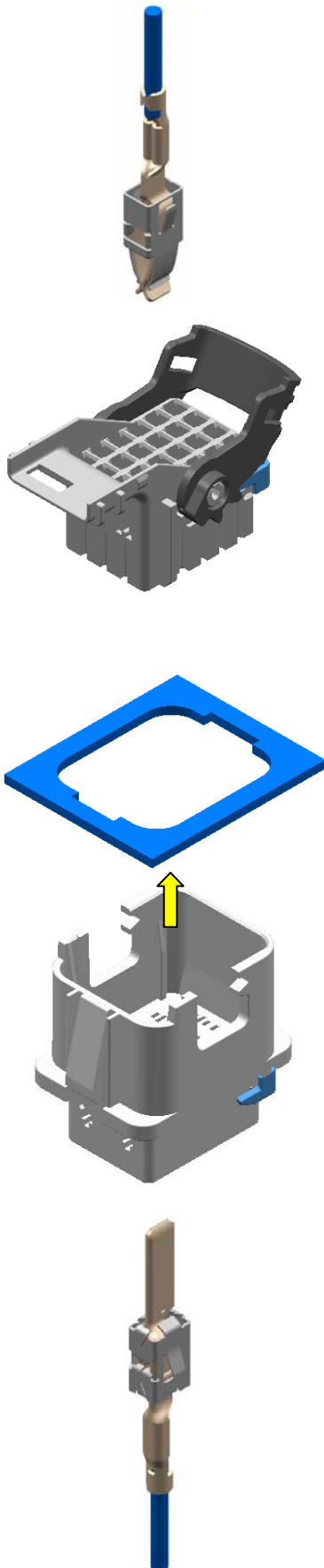
Code	0	1	2	3
Article no	18823 000 000	18802 000 000	18803 000 000	18804 000 000
Colour	Black	Yellow	Green	Blue
Code	4	5	6	7
Article no	18805 000 000	18806 000 000	18807 000 000	18824 000 000
Colour	Neutral	Red	Grey	Brown

### AFS 2.8

Wire size in mm <sup>2</sup>	Form	Article no	Material
0,5 – 1,0	Chain	26659 330 185	CuSn tinned
0,5 – 1,0	Single	46659 330 185	CuSn tinned
1,5 – 2,5	Chain	26657 330 185	CuSn tinned
1,5 – 2,5	Single	46657 330 185	CuSn tinned



## AFK 2.8 / AFS 2.8 Housing with lever latching, 24-way System Data



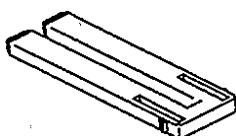
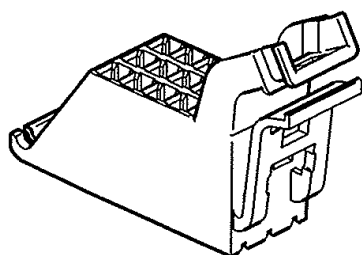
Pos.	Characteristic	Value / Remark
<b>1</b>	<b>Electrical</b>	
1.1	Voltage	Max. 48 V
1.2	Current capacity	4 A at 80 °C, 24 x 0,5 mm <sup>2</sup> 9 A at 80 °C, 24 x 2,5 mm <sup>2</sup>
1.3	Terminal resistance	< 10 mΩ at 1 A
1.4	Insulation resistance	≥ 10 MΩ
<b>2</b>	<b>Thermal</b>	
2.1	Temperature range	-40 °C to + 85 °C ambient temperature
<b>3</b>	<b>Mechanical</b>	
3.1	No. of inserions	10
3.2	Assembly force	≤ 45 N, fully equipped
3.3	Retention force AFK to AFS housing	≥ 200 N
3.4	Retention force AFS to fire wall	≥ 400 N
3.5	Coding and poka yoka safety	> 200 N poka yoka > 150 N coding
<b>4</b>	<b>Chemical resistance</b>	Diesel fuel Engine oil Brake fluid DOT 4 Cooling fluid And others
<b>5</b>	<b>Vibration resistance</b>	Acceleration level: 51 m/s <sup>2</sup>

## AFK 2.8 / AFS 2.8 18-way housing



### AFK 2,8

Wire size in mm <sup>2</sup>	Form	Article no	Material
0,5 – 1,0	Chain	26701 201 185	CuSn tinned
0,5 – 1,0	Single	46701 201 185	CuSn tinned
1,5 – 2,5	Chain	26705 201 185	CuSn tinned
1,5 – 2,5	Single	46705 201 185	CuSn tinned

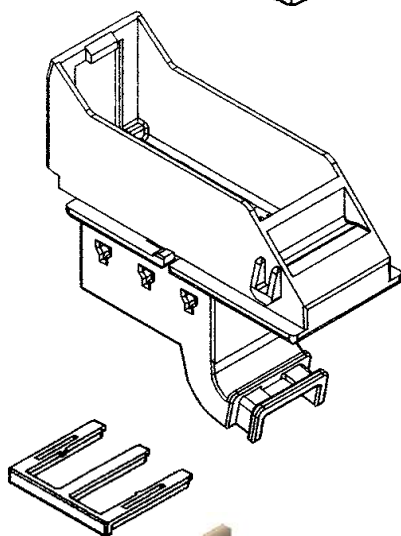


### AFK housing 18-way

Code no.	Part no.	Material	Colour
1	14783 568 501	PA66-I GF 13	Neutral
1	14783 568 613	PA66-I GF 13	Yellow
2	16018 568 501	PA66-I GF 13	Neutral
2	16018 568 613	PA66-I GF 13	Yellow
3	14782 568 501	PA66-I GF 13	Neutral
3	14782 568 613	PA66-I GF 13	Yellow
4	14781 568 501	PA66-I GF 13	Neutral
4	14781 568 613	PA66-I GF 13	Yellow
5	14780 568 501	PA66-I GF 13	Neutral
5	14780 568 613	PA66-I GF 13	Yellow
6	14709 568 501	PA66-I GF 13	Neutral
6	14709 568 613	PA66-I GF 13	Yellow

### Secondary lock

	14708 562 621	PA66	red
--	---------------	------	-----



### AFS housing 18-way

Code no.	Part no.	Material	Colour
1	14946 568 501	PA66+PE GF 13	Neutral
1	14946 568 613	PA66+PE GF 13	Yellow
2	14947 568 501	PA66+PE GF 13	Neutral
2	14947 568 613	PA66+PE GF 13	Yellow
3	14948 568 501	PA66+PE GF 13	Neutral
3	14948 568 613	PA66+PE GF 13	Yellow
4	14949 568 501	PA66+PE GF 13	Neutral
4	14949 568 613	PA66+PE GF 13	Yellow
5	14950 568 501	PA66+PE GF 13	Neutral
5	14950 568 613	PA66+PE GF 13	Yellow
6	14951 568 501	PA66+PE GF 13	Neutral
6	14951 568 613	PA66+PE GF 13	Yellow

### Secondary lock

	14957 562 621	PA66	red
--	---------------	------	-----



### AFS 2,8

Wire size in mm <sup>2</sup>	Form	Article no	Material
0,5 – 1,0	Chain	26659 330 185	CuSn tinned
0,5 – 1,0	Single	46659 330 185	CuSn tinned
1,5 – 2,5	Chain	26657 330 185	CuSn tinned
1,5 – 2,5	Single	46657 330 185	CuSn tinned

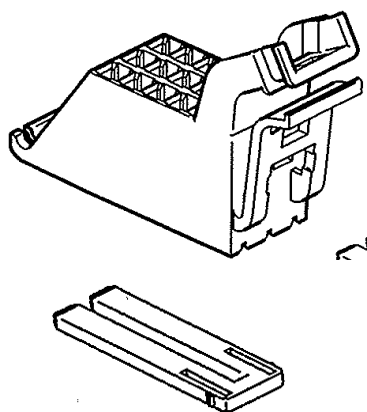
## AFK 2.8 / 18-way housing 18-way pin header



### AFK 2,8

Wire size in mm <sup>2</sup>	Form	Article no	Material
0,5 – 1,0	Chain	26701 201 185	CuSn tinned
0,5 – 1,0	Single	46701 201 185	CuSn tinned
1,5 – 2,5	Chain	26705 201 185	CuSn tinned
1,5 – 2,5	Single	46705 201 185	CuSn tinned

### AFK housing 18-way

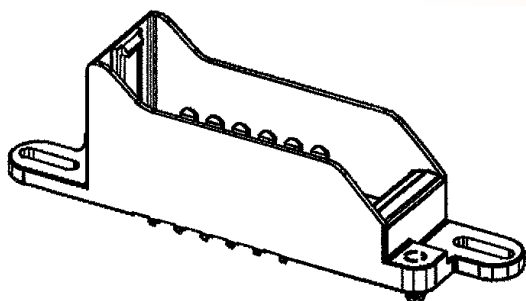


Code no.	Part no.	Material	Colour
1	14783 568 501	PA66-I GF 13	Neutral
1	14783 568 613	PA66-I GF 13	Yellow
4	14781 568 501	PA66-I GF 13	Neutral
4	14781 568 613	PA66-I GF 13	Yellow
5	14780 568 501	PA66-I GF 13	Neutral
5	14780 568 613	PA66-I GF 13	Yellow
6	14709 568 501	PA66-I GF 13	Neutral
6	14709 568 613	PA66-I GF 13	Yellow

### Secondary lock

	14708 562 621	PA	red
--	---------------	----	-----

### AFS housing 18-way



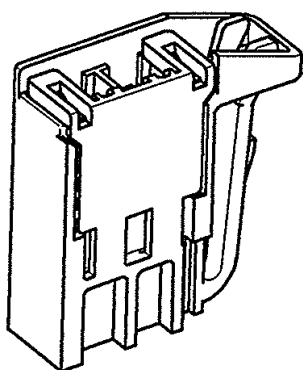
Code	Version	Part no	Material
1	1	18336 000 000	Pa66+PE GF13 / black CuSn / Sn
1	2	18851 000 000	Pa66+PE GF13 / black CuSn / Sn
4	2	18360 000 000	Pa66+PE GF13 / black CuSn / Sn
5	1	18341 000 000	Pa66+PE GF13 / black CuSn / Sn
5	2	18852 000 000	Pa66+PE GF13 / black CuSn / Sn
6	1	18342 000 000	Pa66+PE GF13 / black CuSn / Sn
6	2	18853 000 000	Pa66+PE GF13 / black CuSn / Sn
Version 1		Fixing holes oblong	
Version 2		Fixing holes round	

## AFK 2.8 housing 2-way Distributor socket 2 x 8-way (CAN)



### AFK 2,8

Wire size in mm <sup>2</sup>	Form	Article no	Material
0,5 – 1,0	Chain	26701 201 185	CuSn tinned
0,5 – 1,0	Single	46701 201 185	CuSn tinned
1,5 – 2,5	Chain	26705 201 185	CuSn tinned
1,5 – 2,5	Single	46705 201 185	CuSn tinned



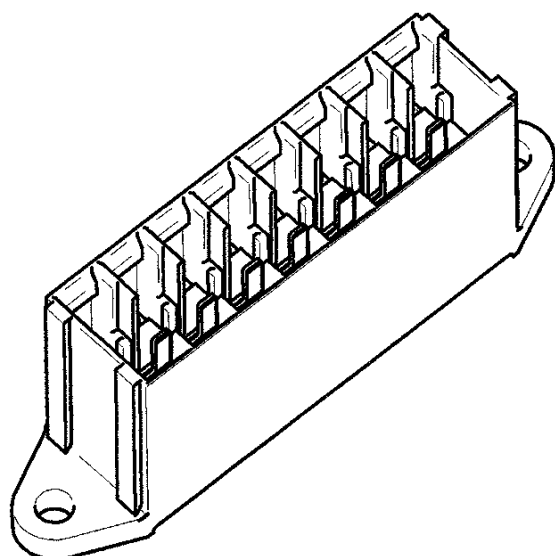
### AFK housing 2-way

Part no.	13700 521 699	PA66 / black
----------	---------------	--------------

Up to 8 pieces per distributor socket

### Distributor socket 2 x 8-way

Part no.	18540 000 000	PA6-GF+MX40 / black CuZn / Sn
Circuit diagram		



**AFK 2.8 Plus / AFS 2.8 Plus**  
**Sealed stainless steel leaf-spring terminal system**



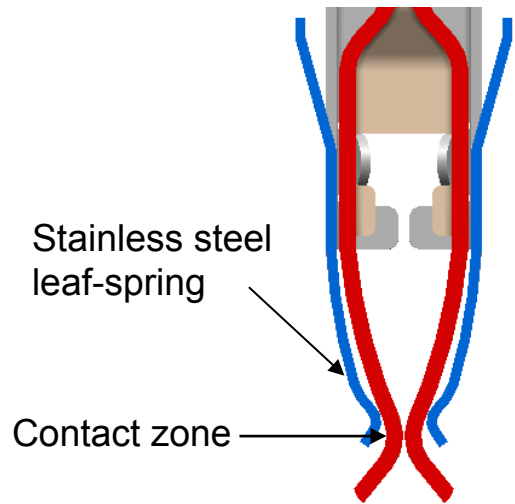
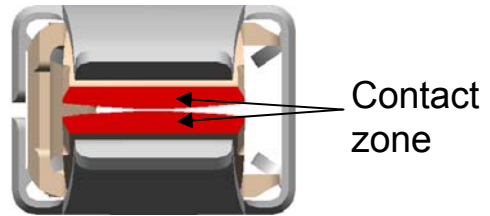
**AFK 2.8 Plus**

- Primary lock from stainless steel
- Stainless steel cage
- Stainless steel cage supports contact fingers

**AFS 2.8 Plus**

- Stainless steel cage
- Primary lock from stainless steel

**Contact principle**



**Extraction tools**

AFK 2.8 Plus Article-Nr.: 50000 017 586



AFS 2.8 Plus Article-Nr.: 50000 017 598



# AFK 2.8 Plus / AFS 2.8 Plus Housing with lever latching, 21-way



## AFK 2,8 Plus

Wire size in mm <sup>2</sup>	Form	Article no	Material
0,5 – 1,0	Chain	26637 201 185	CuSn tinned
0,5 – 1,0	Single	46637 201 185	CuSn tinned
1,5 – 2,5	Chain	26636 201 185	CuSn tinned
1,5 – 2,5	Single	46636 201 185	CuSn tinned

## Single wire seal

0,5 – 1,0	16695 627 642	Blue
1,5 – 2,5	16694 627 626	Brown

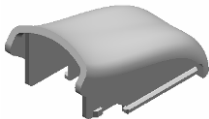
## Cavity plug

16237 627 626	brown
---------------	-------



## Adapter for corrugated tube NS 17

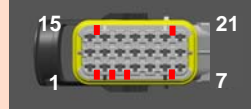
Article no	13370 577 699
------------	---------------



## Cover

Article no	13369 577 699
------------	---------------

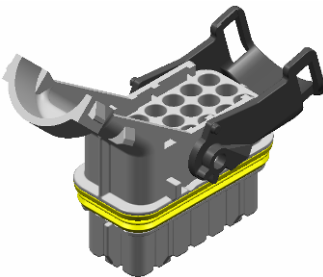
## AFK 2,8 Plus housing with adapter for corrugated tube



Coding	1			
Colour	Grey	Black	Green	Blue
Article no	18756 062 000	18756 050 000	18756 054 000	18756 057 000



Coding	2			
Colour	Grey	Black	Green	Blue
Article no	18757 062 000	18757 050 000	18757 054 000	18757 057 000



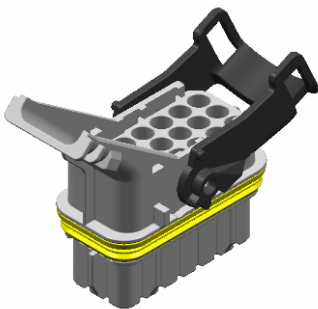
## AFK 2,8 Plus housing without adapter



Coding	1			
Colour		Black		
Article no		18655 050 000		



Coding	2			
Colour		Black		
Article no		18656 050 000		

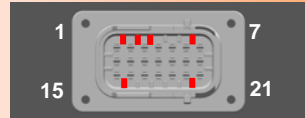
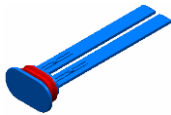
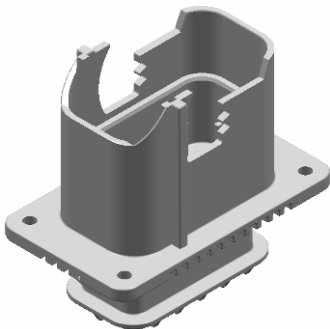


## Secondary lock

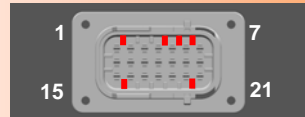
Article no	13239 601 636
------------	---------------

# AFK 2.8 Plus / AFS 2.8 Plus Housing with lever latching, 21-way

## AFS 2,8 Plus housing



Coding	1			
Colour	Grey	Black	Green	Blue
Article no.	13371 598 663	13371 598 699	13371 598 647	13379 598 636



Coding	2			
Colour	Grey	Black	Green	Blue
Article no.	13372 598 663	13372 598 699	13372 598 647	13372 598 636

## Secondary lock

Article no.	18758 000 000
-------------	---------------

## AFS 2,8 Plus

Wire size in mm <sup>2</sup>	Form	Article no	Material
0,5 – 1,0	Chain	26674 330 185	CuSn tinned
0,5 – 1,0	Single	46674 330 185	CuSn tinned
1,5 – 2,5	Chain	26676 330 185	CuSn tinned
1,5 – 2,5	Single	46676 330 185	CuSn tinned

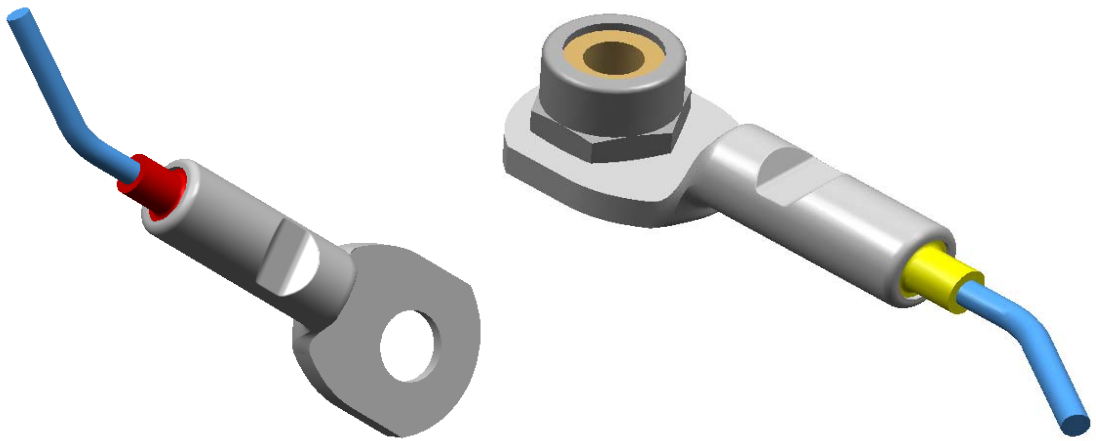
## Single wire seal

0,5 – 1,0	16695 627 642	Blue
1,5 – 2,5	16694 627 626	Brown

## Cavity plug

16237 627 626	brown
---------------	-------

# ***SKS - System***

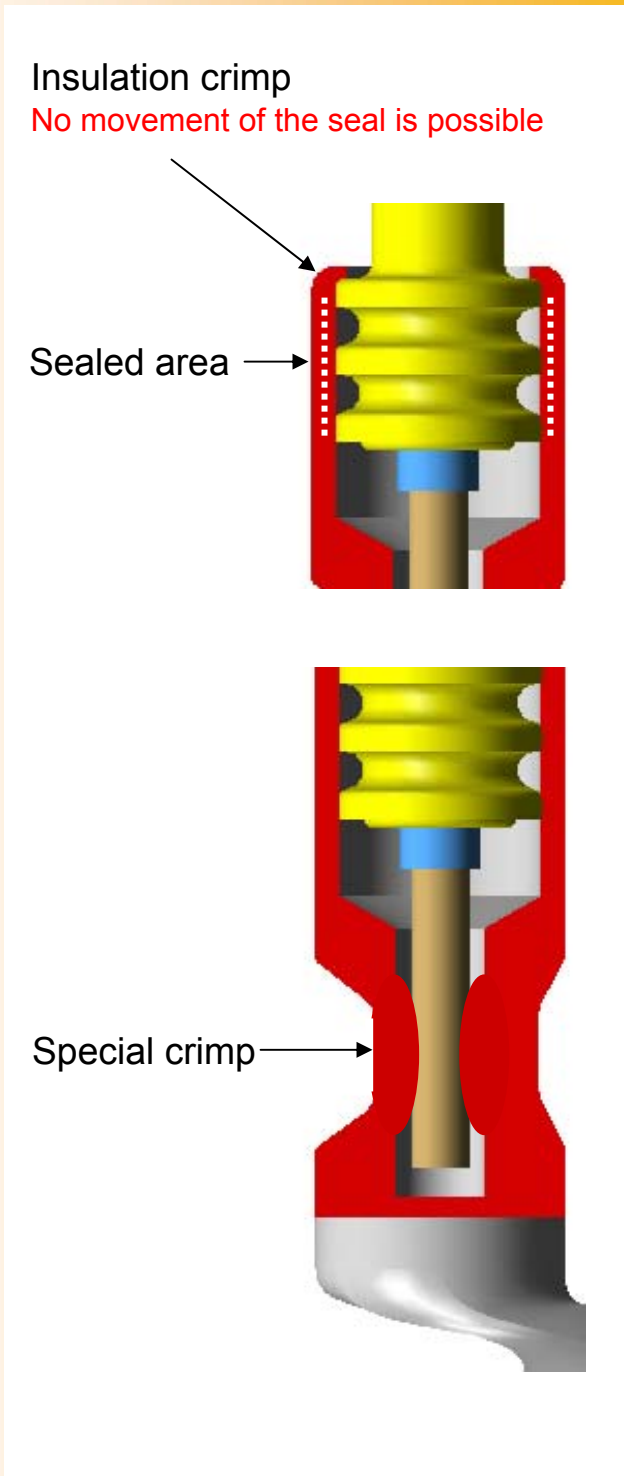
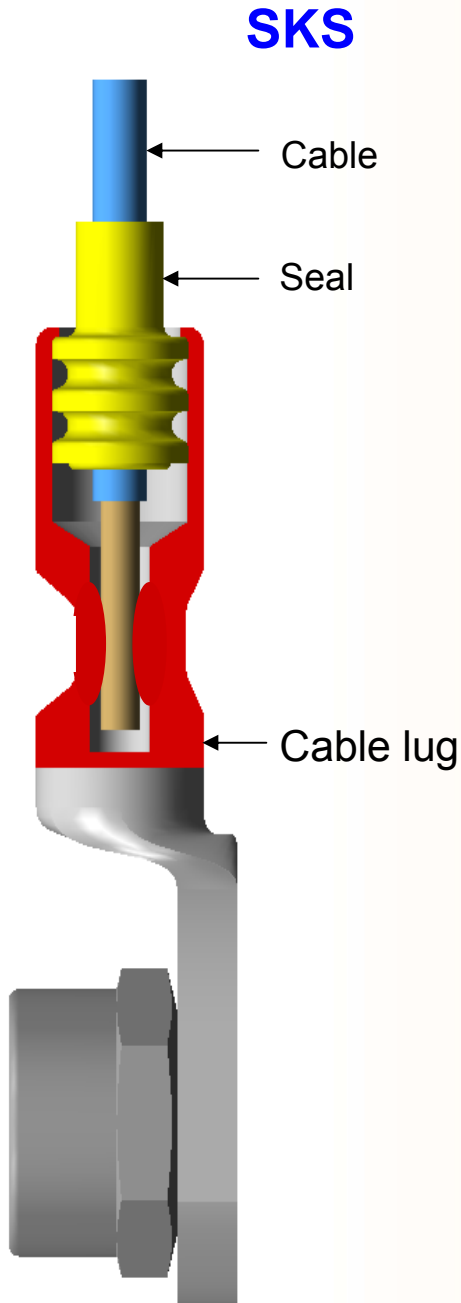


***Sealed and  
unsealed cable  
lugs***



# SKS Sealed cable lugs - Technology

## Function principle



## SKS – Sealed cable lugs

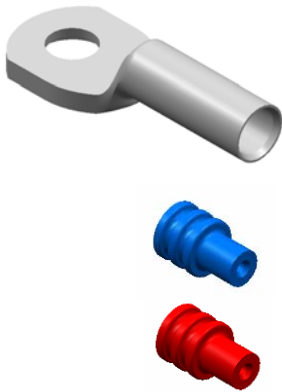


### SKS for M4 bolts

Wire size	Nominal size	Part no.	Material / surface
0,75 – 1,5 mm <sup>2</sup>	4 – 1,5	03265 326 011	Cu / Sn

### Single wire seal

0,75 – 1,5 mm <sup>2</sup>		14458 627 610	VMQ / yellow
----------------------------	--	---------------	--------------

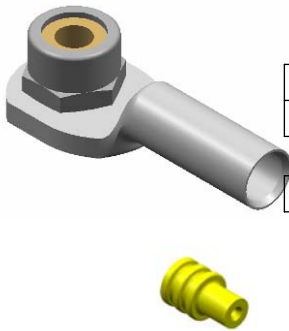


### SKS for M5 to M10 bolts

Wire size	Nominal size	Part no.	Material / surface
0,5 – 2,5 mm <sup>2</sup>	5 -2,5	03266 326 011	Cu / Sn
	6 -2,5	03267 326 011	Cu / Sn
	8 -2,5	03251 326 011	Cu / Sn
	10 -2,5	03272 326 011	Cu / Sn

### Single cable seal

0,5 – 1 mm <sup>2</sup>		16695 627 642	VMQ / blue
1,5 – 2,5 mm <sup>2</sup>		16694 627 626	VMQ / brown

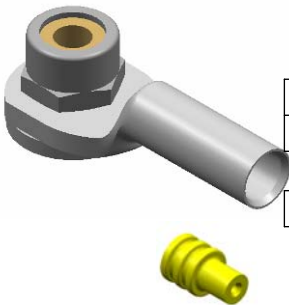


### SKS for M4 bolts with captive nut

Wire size	Nominal size	Part no.	Material / surface
0,75 – 1,5 mm <sup>2</sup>	M4 – 1,5	09100 326 011	Cu / Sn

### Single cable seal

0,75 – 1,5 mm <sup>2</sup>		14458 627 610	VMQ / yellow
----------------------------	--	---------------	--------------



### SKS for M4 bolts with captive nut and washer

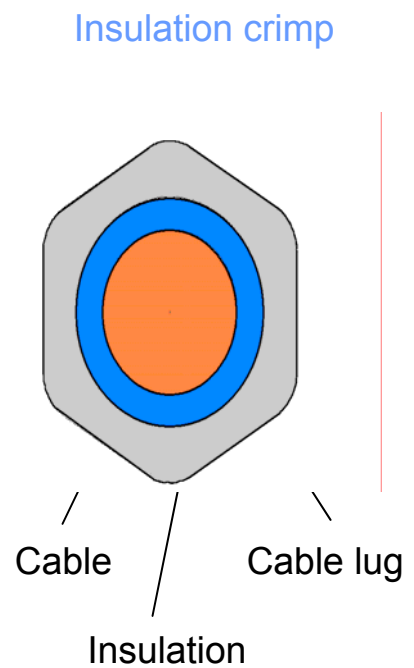
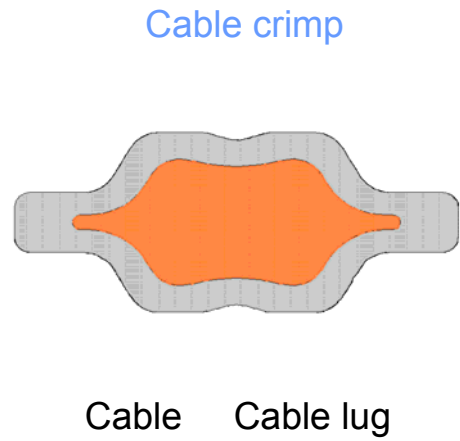
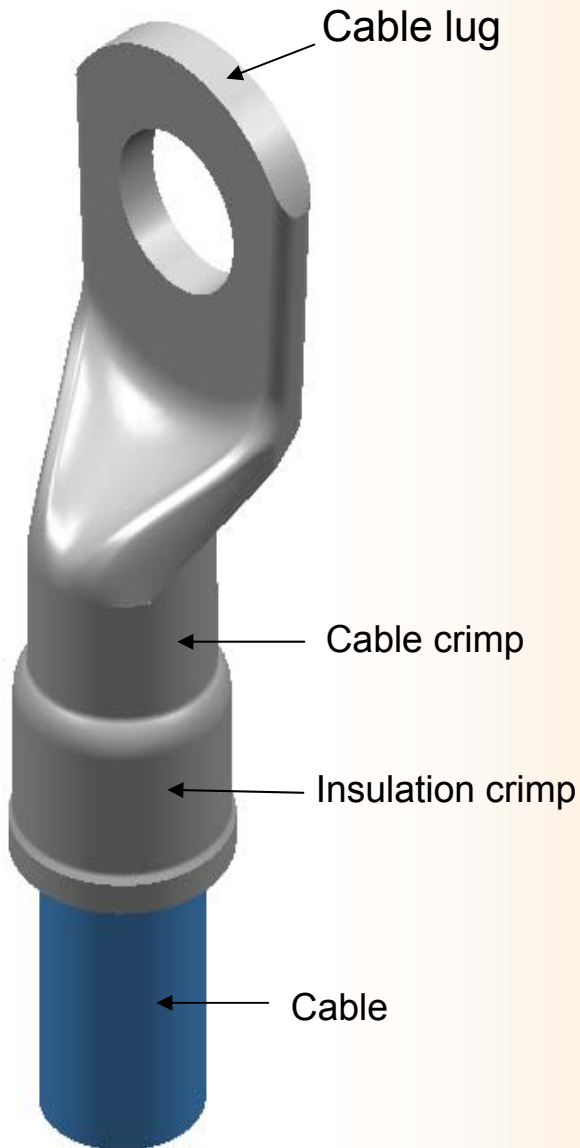
Wire size	Nominal size	Part no.	Material / surface
0,75 – 1,5 mm <sup>2</sup>	M4 – 1,5	09200 326 011	Cu / Sn

### Single cable seal

0,75 – 1,5 mm <sup>2</sup>		14458 627 610	VMQ / yellow
----------------------------	--	---------------	--------------

# Cable lugs with insulation support

## Function principle



# Cable lugs with insulation support



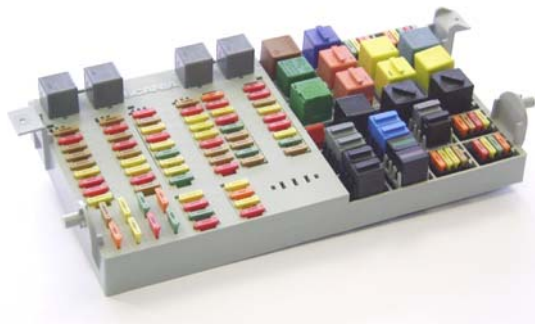
## Nominal cable sizes

Wire cross section [mm <sup>2</sup> ]	Maximum cable diameter	Insulation size
10	4,40	5,90 <sub>-0,2</sub>
16	5,50	7,35 <sub>-0,2</sub>
25	7,00	8,85 <sub>-0,2</sub>

## Cable lug

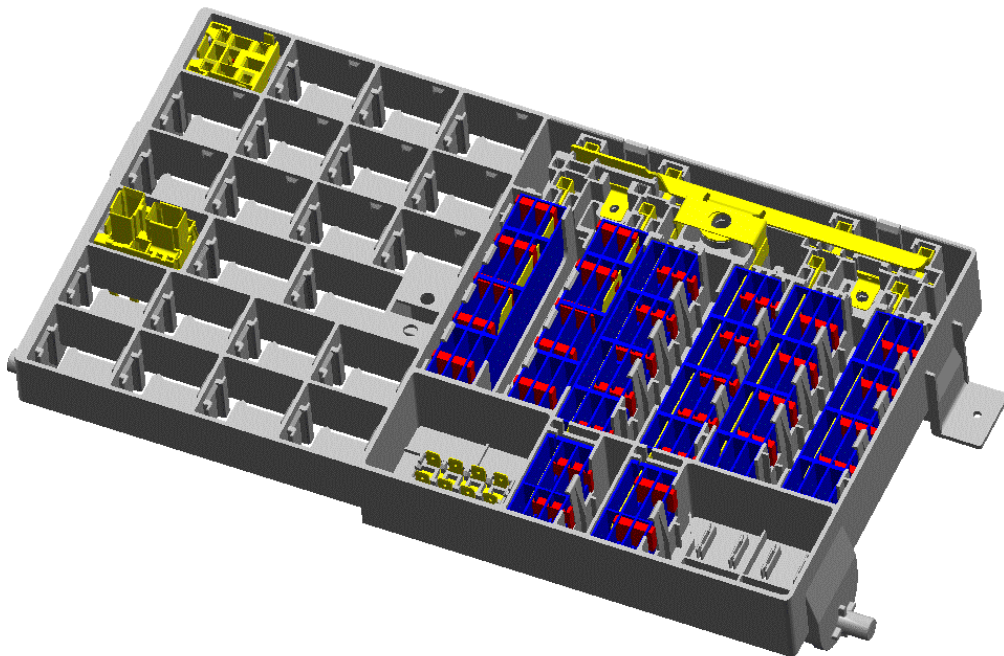
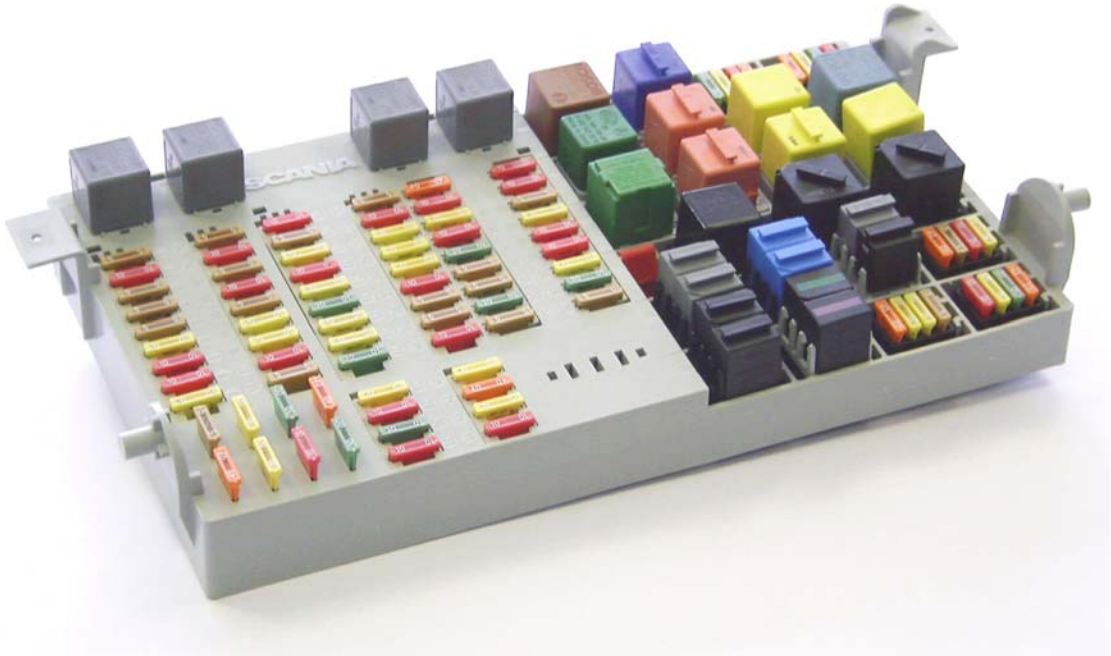
Wire cross section [mm <sup>2</sup> ]	Nominal size	Part no.	Material
16	10 – 16	03036 000 000	Cu tin plated
25	8 – 25	03028 000 000	Cu tin plated
25	10 – 25	03037 000 000	Cu tin plated

# *Fuse*

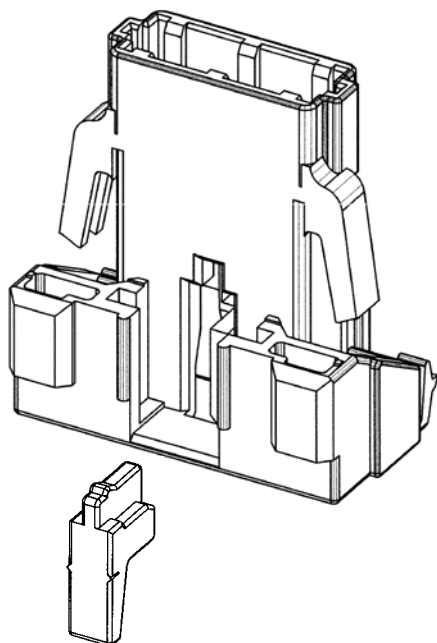


# *System*

## Fuse box example



# Fuse Holder for ETA circuit breaker

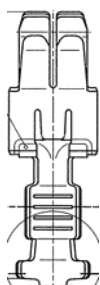


## Fuse Holder

Part no.	16593 598 501	PA66+PE-GF13	natural
----------	---------------	--------------	---------

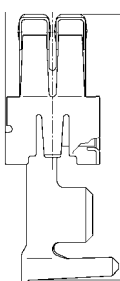
## Secondary Lock

Part no.	16229 623 696	PPE+PA-GF30	black
----------	---------------	-------------	-------



## DFK 3

Wire cross section [mm <sup>2</sup> ]	Form	Part no.	Material / Finish
0,5 – 1	Chain	26316 201 179	CuSn / Sn
0,5 – 1	Single	46316 201 179	CuSn / Sn
1,5 – 2,5	Chain	26317 201 179	CuSn / Sn
1,5 – 2,5	Single	46317 201 179	CuSn / Sn
2,5 – 4	Chain	26222 201 179	CuSn / Sn
2,5 – 4	Chain	46222 201 179	CuSn / Sn
4 – 6	Chain	26318 201 179	CuSn / Sn
4 – 6	Single	46318 201 179	CuSn / Sn



## AFK 4,8 (alternatively applicable)

0,2- 0,35	Chain	26697 330 186	CuFe2P/Sn
0,2- 0,35	Single	46697 330 186	CuFe2P/Sn
0,5 – 1	Chain	26649 330 186	CuFe2P/Sn
0,5 – 1	Single	46649 330 186	CuFe2P/Sn
1,5 – 2,5	Chain	26648 330 186	CuFe2P/Sn
1,5 – 2,5	Single	46648 330 186	CuFe2P/Sn
2,5 – 4	Chain	26650 330 186	CuFe2P/Sn
2,5 – 4	Single	46650 330 186	CuFe2P/Sn
4 – 6	Chain	28095 330 186	CuFe2P/Sn
4 – 6	Single	48095 330 186	CuFe2P/Sn

## Change Information

17-12-2007	Page 54: Terminal AFK to AFS corrected
21-02-2008	Page 14: part no of MKR Plus housing corrected
03-04-2008	Page 39: part no of secondary lock and VKR/MKR housing corrected Page 62 added
11-04-2008	Page 49 added, all following page no's corrected
01-12-2008	Page 50 to 52: updated