

# Part Number Nomenclature

## Ferrite Chip Beads

**HI2220P601R-10** (Part number example in **BOLD**)

<b>HI</b>	<b>2220</b>	<b>P</b>	<b>601</b>	<b>R</b>	<b>-10</b>
Product Series Code	Part Size Code	Rated Continuous Current Code	Impedance ( Z ) or Inductance ( L ) Value Code	Packaging Code	Additional Description
<b>HI</b> = High Current Chip Beads (≥3,000 mA) <b>MI</b> = Mid Current Chip Beads (≥1,000 mA to <3,000 mA) <b>LI</b> = Low Current Chip Beads (<1,000 mA, <400 W Z) <b>HZ</b> = High Impedance Chip Beads (<1,000 mA, ≥400 W Z) <b>HF</b> = High Frequency Chip Beads <b>LF</b> = Low Frequency Chip Beads <b>HR</b> = High Bias Retention Chip Beads (>3,000 mA) <b>DA</b> = Multiline Array Chip	0402 0603 0805 1206 1210 1612 1806 1812 1922 2021 <b>2220</b> 2520 2545 2722 3032 3312 3322	<b>A</b> ≤ 100 mA <b>B</b> = 200 mA <b>C</b> = 300 mA <b>D</b> = 400 mA <b>E</b> = 500 mA <b>F</b> = 600 mA <b>G</b> = 700 mA <b>H</b> = 800 mA <b>I</b> = 900 mA <b>J</b> = 1,000 mA <b>K</b> = 1,500 mA <b>L</b> = 2,000 mA <b>M</b> = 2,500 mA <b>N</b> = 3,000 mA <b>O</b> = 3,500 mA <b>P</b> = 4,000 mA <b>Q</b> = 4,500 mA <b>R</b> = 5,000 mA <b>S</b> = 5,500 mA <b>T</b> = 6,000 mA <b>U</b> = 7,000 mA <b>V</b> = 8,000 mA <b>W</b> = 9,000 mA <b>X</b> = 10,000 mA <b>Y</b> = 15,000 mA <b>Z</b> ≥ 20,000 mA	First two numbers are Significant Digits. The last number indicates how many zeros are added to the significant digits for impedance.  Impedance Examples  <b>100</b> = 10 OHMS <b>101</b> = 100 OHMS <b>102</b> = 1,000 OHMS <b>202</b> = 2,000 OHMS <b>060</b> = 6 OHMS <b>600</b> = 60 OHMS <b>601</b> = 600 OHMS	<b>B</b> = Bulk Standard Thru-Hole Packaging  <b>R</b> = Tape & Reel Standard SMT Package	<b>-10</b> = Lead Free Standard Catalog Part  <b>-11 to -99</b> = Non Standard or Custom Part

## Tape & Reel Quantity

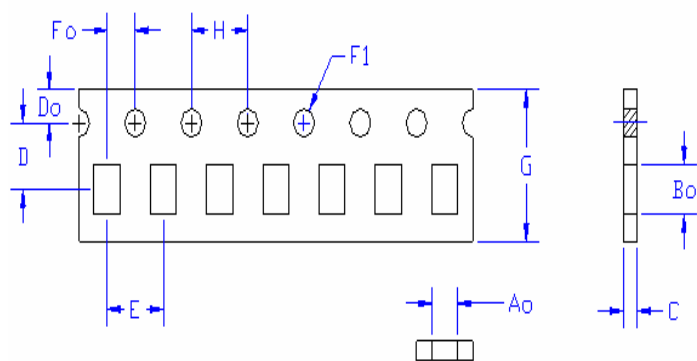
Part Size Code	Tape & Reel Quantity [PCS]
<b>0402</b>	<b>10000</b>
<b>0603</b>	<b>4000</b>
<b>0805</b>	<b>4000</b>
<b>1206</b>	<b>3000</b>
<b>1210</b>	<b>3000</b>
<b>1612</b>	<b>2500</b>
<b>1806</b>	<b>2000</b>
<b>1812</b>	<b>2500</b>
<b>2220</b>	<b>2000</b>
<b>3312</b>	<b>2500</b>

## Taping Dimensions

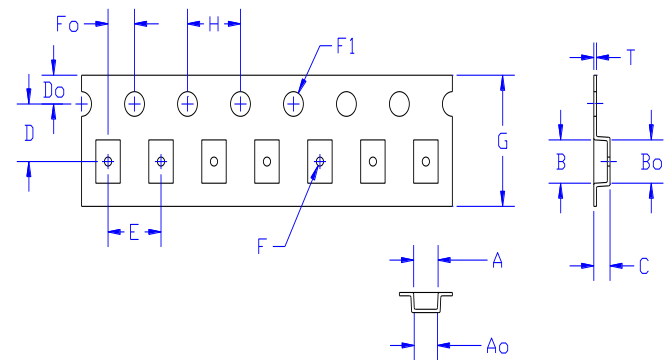
Unit: mm

Size	Ao	Bo	C	D	Do	E	Fo	F1	G	H	F	T
0402	0.80 ± 0.15	1.30 ± 0.15	0.90 Max	3.5±0.05	1.75±0.10	4.00±0.10	2.00±0.05	1.50±0.10	8.00±0.10	4.00±0.10	-	-
0603	1.10 ± 0.15	1.90 ± 0.15	1.50 Max								-	-
0805	1.88 ± 0.10	2.25 ± 0.10	1.27 ± 0.10								1.00±0.10	0.22±0.05
1206	1.90 ± 0.10	3.55 ± 0.10	2.20 ± 0.10	5.5±0.05	1.75±0.10	4.00±0.10	2.00±0.05	1.50±0.10	12.00±0.30	4.00±0.10	1.50±0.10	0.33±0.05
1210	2.90 ± 0.10	3.61 ± 0.10	1.52 ± 0.10								8.00±0.10	8.00±0.10
1612	3.30 ± 0.10	4.39 ± 0.10	2.67 ± 0.10								8.00±0.10	8.00±0.10
1806	1.95 ± 0.10	4.85 ± 0.10	1.95 ± 0.10								8.00±0.10	8.00±0.10
1812	3.66 ± 0.10	4.95 ± 0.10	1.85 ± 0.10								8.00±0.10	8.00±0.10
2220	5.40 ± 0.10	5.95 ± 0.10	2.18±0.10	7.50±0.05	1.75±0.10	4.00±0.10	2.00±0.05	1.50±0.10	16.0±0.3	4.00±0.10	1.50±0.10	0.33±0.05
3312	3.33 ± 0.10	8.92 ± 0.10	2.67 ± 0.10								1.00±0.10	0.36±0.05

### Paper Tape (only for 0402 and 0603 sizes)



### Plastic Tape



## Reel Dimensions

Unit: mm

Size	A	B	C	D	E	W	T					
0402	178 ± 2	63 ± 2	13.0 ± 0.50	21.00 ± 0.80	2.00 ± 0.50	9 ± 1	1.0 ± 0.50					
0603							2.0 ± 0.50					
0805							1.50 ± 0.50					
1206			13.5 ± 0.50				12 ± 1	2.00 ± 0.50				
1210							13 ± 0.5	1.50 ± 0.50				
1612	330 ± 2	13.00 ± 0.50	13.00 ± 0.50	21.00 ± 0.80	2.00 ± 0.50	12 ± 1	2.00 ± 0.50					
1806	178 ± 2						13 ± 0.5	1.50 ± 0.50				
1812	330 ± 2						13.00 ± 0.50	21.00 ± 0.80	2.00 ± 0.50	12 ± 1	2.00 ± 0.50	
2220												16 ± 1
3312												16 ± 1

