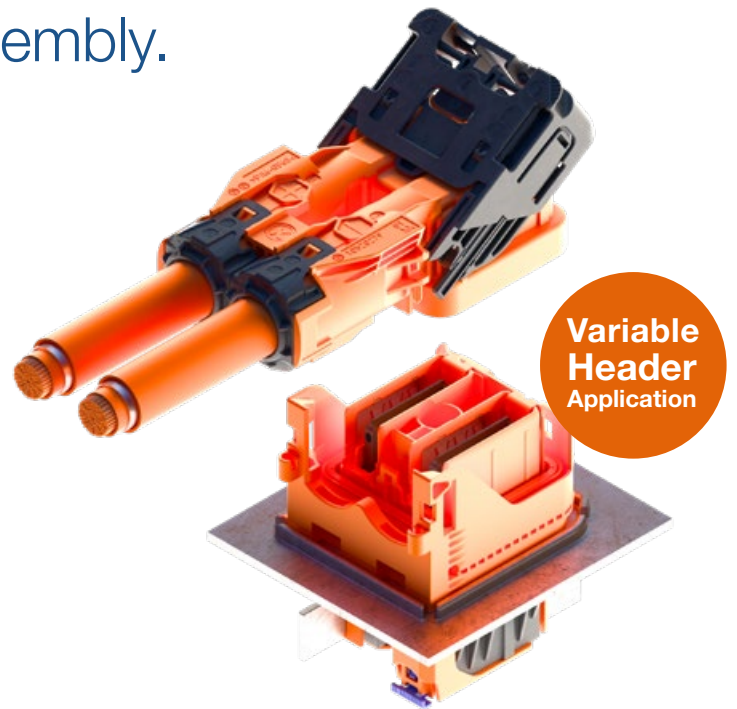


HV CLASS 4

KS 22

Smallest in class. Easy assembly.

- ⊕ Water proof sealed connection system
- ⊕ Tab-Header attachable with single screw in sealed area
- ⊕ HVIL integration
- ⊕ Touch Protection
- ⊕ Various cable types validated



2-WAY

APPLICATIONS

- High voltage/high-current modules
- Inverter, battery, DC-DC Converter
- And other devices

FEATURES



Current Carrying Capacity
252 A @ 80°C, 50 mm² Cu



EMI Shielding Class
< -50dB (1-300 MHz)



Voltage Range
1000 V at 5500 m ASL
(max. 3300 V DC)



Sealing Protection
IP67, IP6K9K



Temperature
-40 °C to +140 °C



Touch Protection
IPxxB / IPxxD



Cable Cross-Section
16 - 50 mm²,
Cu and Al wires



Validation acc. to
LV-215
B21 70 50
USCAR

we **connect**

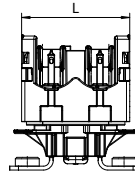
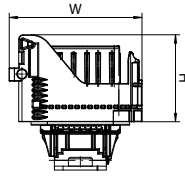
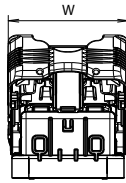
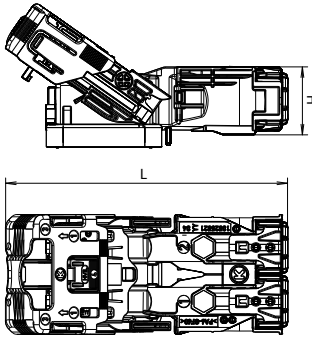
Experience how we connect the global automotive industry with high performance connector systems.

www.kostal-kontakt-systeme.com

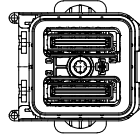


DIMENSIONS

Receptacle Housing



Tab Header



TECHNICAL DATA

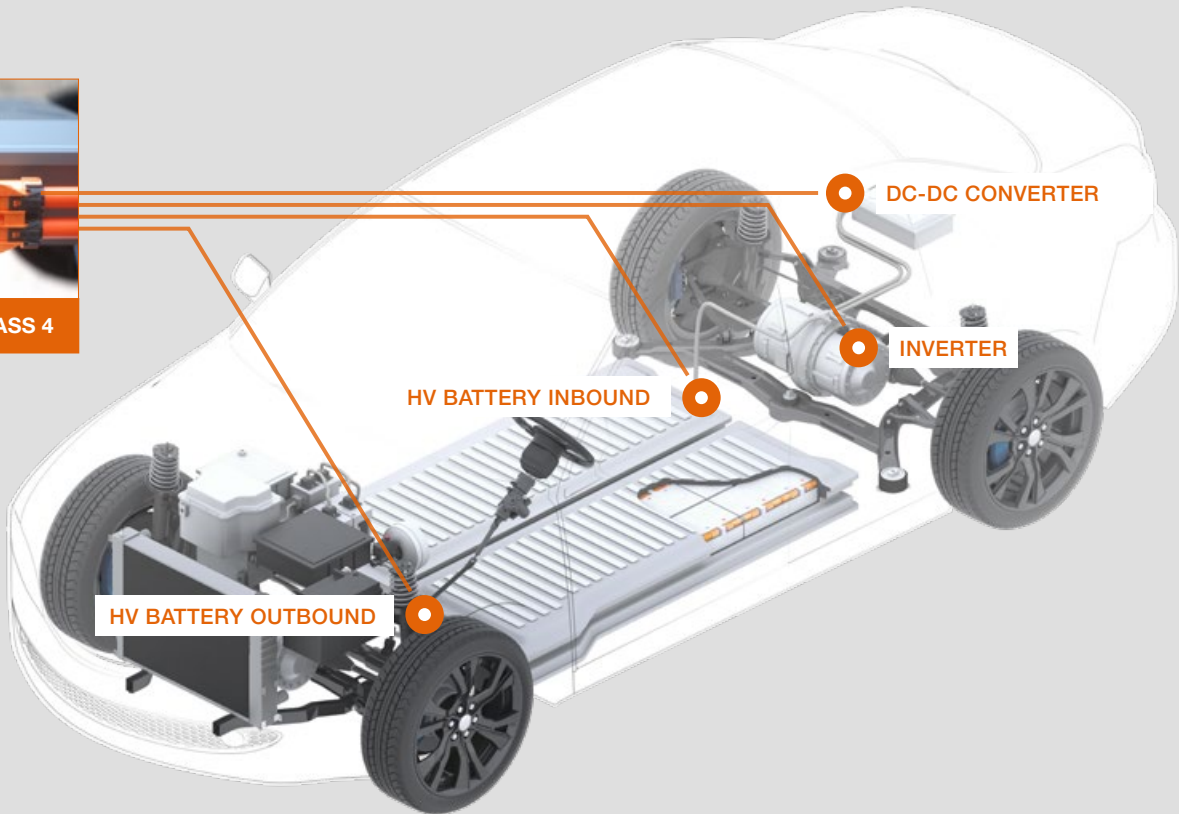
Receptacle Housing with CPA

Tab Header

Cavities	PN Code A	Dimensions L x H x W (mm)	PN Code A	Dimensions L x H x W (mm)
2	10520540	118 x 33.5 x 50	10529957	50 x 40.2 x 61.4



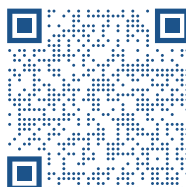
KS 22 CLASS 4



COMPATIBLE WITH



KT 22



VIEW OUR CATALOG

All information in the technical drawings in millimeters. Part numbers, specifications, dimensions and performance data in this catalog are for general reference only and are subject to change without notice. To verify product information, please contact your local KOSTAL Kontakt System representative.
Date Published: 05/2022