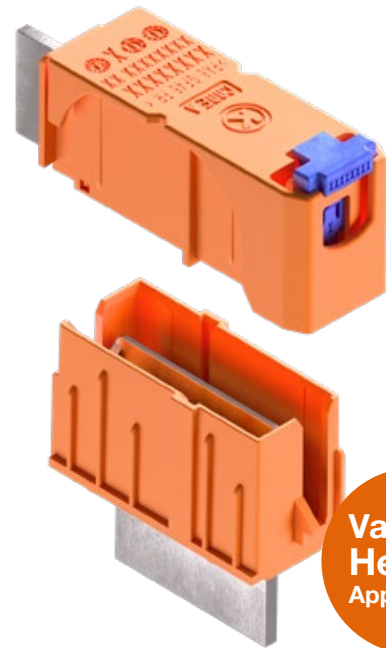


HV CLASS 4

KS 22 Battery Module Connector

Easy. Safe. Robust. Efficient.

- ⊕ Provides flexible connection
- ⊕ Multiple codings
- ⊕ Touch protection
- ⊕ Automated robotic connector assembly
- ⊕ Low and stable resistance connection system



1-WAY

APPLICATIONS

- High voltage / high-current Battery Module Connector
- Batteries
- Inside sealed areas
- And other devices

FEATURES



Current Carrying Capacity
359 A @ 80°C, 95 mm² Cu



Cable Cross-Section
16 - 95 mm²



Voltage Range
1000 V at 5800 m ASL
(max. 3300 V DC)



Touch Protection
IPxxB / IPxxD



Temperature
-40 °C to +140 °C



Validation acc. to
LV-215
USCAR

we **connect**

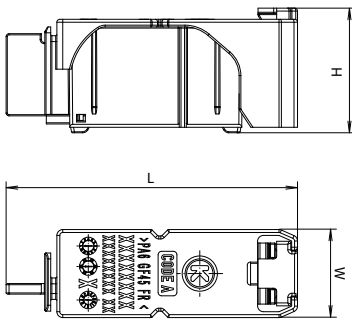
Experience how we connect the global automotive industry with high performance connector systems.

www.kostal-kontakt-systeme.com

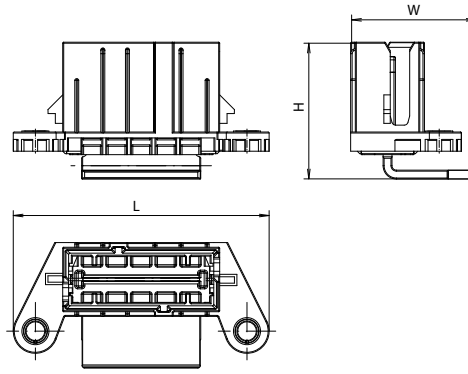


DIMENSIONS

Receptacle Housing



Tab Header



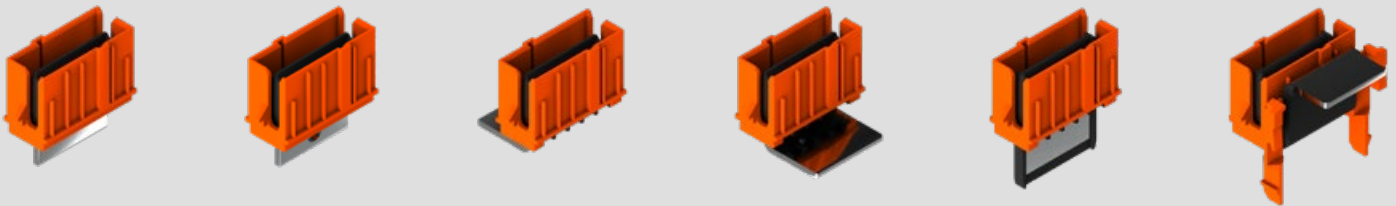
TECHNICAL DATA

Receptacle Housing with CPA

Tab Header

Cavities	PN Code A	Dimensions L x H x W (mm)	PN Code A	Dimensions L x H x W (mm)
1	Code A 10506461 Code B 10508701	49.65 x 21.23 x 15	Code A 10537804 Code B 10538244	37.9 x 31.3 x 15

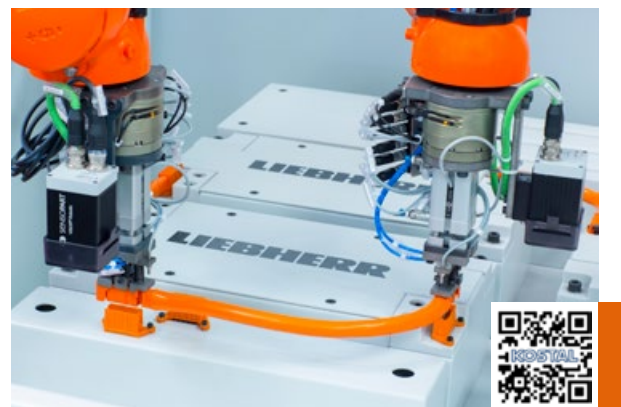
EXAMPLES FOR VARIABLE HEADER APPLICATION



AUTOMATED ROBOTIC CONNECTOR ASSEMBLY

KOSTAL Kontakt Systeme GmbH, together with Liebherr, has developed an innovative solution for the automation of the plugging process of the Battery Module Connector.

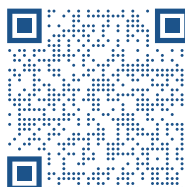
- **Easy assembly:** Without additional screws
- **Safety:** Touch-protection of high voltage contacts
- **Robustness:** Flexible conductor for high tolerance compensation
- **Serviceability:** Easy disassembly without tools
- **Performance:** Optimized contact system designed for e-mobility



COMPATIBLE WITH



KT 22



VIEW OUR CATALOG

All information in the technical drawings in millimeters. Part numbers, specifications, dimensions and performance data in this catalog are for general reference only and are subject to change without notice. To verify product information, please contact your local KOSTAL Kontakt Systeme representative.

Date Published: 05/2022