

# .100 Centerline

# Contents

## Series

### .100" P.C. Board & Cable Connectors

#### Page

F1	Specifications
F2	Performance
	<b>1 Row Connectors</b>
F3	Straight Plug <b>FSA &amp; FSJ</b>
F4	Straight Receptacle <b>FSB &amp; FSK</b>
F5	Right Angle Plug <b>FSF &amp; FSL</b>
F6	Right Angle Receptacle <b>FST &amp; FSM</b>
	<b>2 Row Connectors</b>
F7	Straight Plug/Receptacle <b>FAR,FER</b> & Right Angle Receptacle <b>FTF,FTG, FTJ</b> 10 - 70 positions
F8	Straight Plug/Receptacle <b>FBR,FDR</b> & Right Angle Receptacle <b>FTW,FTY, FTK</b> 10 - 70 positions
F9	Straight Plug, Solder Cup Contacts <b>FGR</b> 10 - 70 positions
F10	Right Angle Plug <b>FCR,FFR</b> 10 - 70 positions
F11	Right Angle Receptacle, Low Profile <b>FTD, FTB</b> 10 - 70 positions
F12	Straight & Right Angle Receptacle <b>FDR, FTH</b> 90 positions
F13	Straight & Right Angle Receptacle <b>FDR, FTH</b> 100 & 120 positions
F14	Right Angle Plug <b>FCR</b> , 90 positions
F15	Right Angle Plug <b>FCR</b> , 100 & 120 positions
F16	Straight Plug/Receptacle, Crimp Removable <b>FKE, FKA, FKV, FKZ, FKH, FKF, FKJ, FKR</b> 10 - 70 positions
F17	Straight Plug/Receptacle, Crimp Removable <b>FKY, FKW, FKD, FKB, FKT, FKS, FKL, FKG</b> 10 - 70 positions
F18	Contact Codes
F19-F20	2 and 3 Row Hardware Codes
F21	2 Row Hardware Codes for <b>FTBR, FTDR</b> Connectors
F22	2 and 3 Row Hardware Codes for Crimp Removable
F23	2 and 3 Row Polarized Hardware & Polarization Codes
F24	2 Row Interfacial Silicone Rubber Gaskets
	<b>3 Row Connectors</b>
F25	Straight Receptacle/Plug <b>FMR</b> & Right Angle Receptacle <b>FTM, FTN</b> 50, 62, 80, 92, 104, 122 positions
F26	Straight Receptacle/Plug <b>FMR</b> & Right Angle Receptacle <b>FTM, FTN</b> 160 & 208 positions
F27	Right Angle Plug <b>FLR</b> 50, 62, 80, 92, 104, 122 positions
F28	Right Angle Plug <b>FLR</b> 160, 208 positions
F29	Straight Plug/Recpt, Crimp Removable <b>FKM, FKN, FKC, FKX, FKI, FKK, FKO, FKQ</b> 50, 62, 80, 92, 104 pos
F30	Contact Codes
	3 Row Hardware Codes (see pages F19, F20, & F23)
	3 Row Hardware Codes for Crimp Removable (see page F22)

# Contents

## *.100" P.C. Board & Cable Connectors*

### Page

#### **4 Row Connectors**

F31	Straight Plug, w/standoffs, <b>FYB</b> 122 position
F32	Straight Plug or Receptacle <b>FYA</b> 122 position
F33	Right Angle Plug <b>FWA</b> 122 position
F34	4 Row Contact/Hardware Codes
F35	Variation Codes
F36-F37	MIL-DTL-55302 Cross Reference

# Specifications

## "F" Series .100" $\phi$

### Material and Finish

<b>Molded Insulator:</b>	<i>40% Glass Filled Polyphenylene Sulfide, Per MIL-DTL-55302</i>
<b>Pin Contacts:</b>	<i>Copper Alloy per MIL-DTL-55302.</i>
<b>Socket Contacts:</b>	
Contacts:	<i>Be Cu per MIL-DTL-55302.</i>
Terminal:	<i>Copper Alloy per MIL-DTL-55302.</i>
<b>Contact Finish:</b>	<i>Gold Plate per MIL-DTL-55302 Localized finish per MIL-DTL-55302.</i>
<b>Hardware:</b>	<i>Stainless Steel per ASTM-A581 or A582. Passivated per SAE-AMS-2700</i>
Guide Sockets, Polarized	<i>Be Cu per ASTM-B196 or B197. Nickel Plated per SAE-AMS-QQ-N-290</i>
Gasket	<i>Silicone Rubber per A-A-59588</i>
<b>Tolerance:</b>	<i>Decimals <math>\pm .010</math>, Angles <math>\pm 5^\circ</math> unless otherwise specified.</i>
<b>Connector Marking:</b>	<i>Marking shall meet the requirements of MIL-STD-1285 and MIL-STD-202 method 215 for permanency. Pin numbers indicating every fourth position are marked on the side of the connector.</i>

# Performance

## "F" Series .100" $\phi$

<b>Wire Size:</b>	#22 AWG Stranded
<b>Contact Rating:</b>	5 ampere maximum per contact
<b>Solderability:</b>	Pretinning meets the requirements of MIL-STD-202, Method 208.
<b>Operating Temp:</b>	-65° to +125°C -85° to +257°F

<u>Test</u>	<u>Requirements</u>	<u>Test Method per EIA364</u>
<b>Contact Resistance</b>	Will not exceed .020 ohms on individual contact pair with average not to exceed .010 ohms	EIA364.6
<b>Dielectric Withstanding</b>	1000 vrms, 60 Hz @ sea level 300 vrms, 60 Hz @ 70,000 feet <b>300 vrms, 60 Hz @ 100,000 feet</b>	EIA364.20
<b>Insulation Resistance</b>	5000 megohms minimum @ 500 VDC	EIA/ECA364.21
<b>Durability</b>	500 connector mating cycles	MIL-DTL-55302 para. 4.5.9
<b>Temperature Cycling</b>	5 (1) hr cycles; -65° to +125°C	EIA364.32
<b>Vibration</b>	10-2000 Hz, 15G Peak	EIA364.28
<b>Salt Spray</b>	5% salt spray @ 95°F for 48 hours	EIA/ECA364.26
<b>Shock</b>	100G sawtooth, 6ms	EIA364.27
<b>Humidity</b>	10 days @ 25° to 65°C, 80-98% RH	EIA364.31
<b>Contact Engagement Low Force</b>	4 oz. Maximum with a .0305 dia pin per SAE-AS31971	EIA364.37 & MIL-DTL-55302
<b>Contact Separation Low Force</b>	.5 oz. Minimum with a .0295 dia pin per SAE-AS31971	EIA364.37 & MIL-DTL-55302

# F SERIES SINGLE ROW STRAIGHT PLUG

Special Options
Omit Contacts 01 thru 22
( Keying Pin ) Polarize 01 thru 22
Dip Solder
Sealback

P/N FXXXX - XX - XX

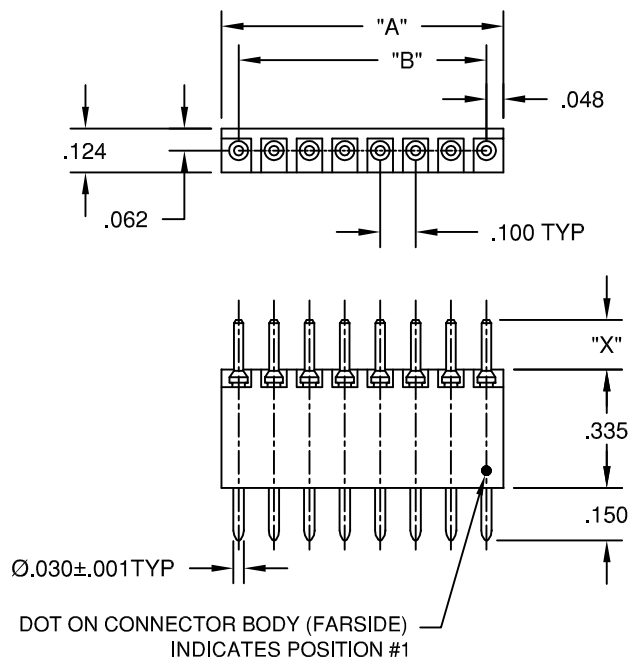
Body Style

Contact Code

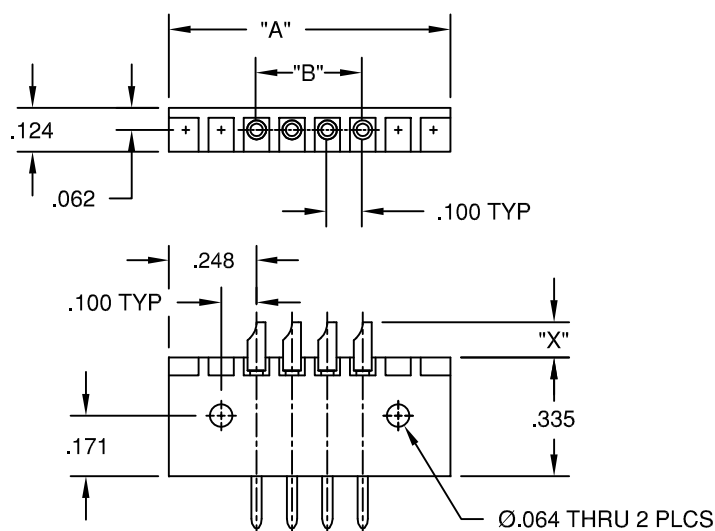
Cont Code	Contact Type	"X" Dim	Dia.
01	Dip Solder	.140	.027
02	Dip Solder	.172	.027
19	Dip Solder	.109	.027
11	Solder Cup #22 AWG	.100	.035 I.D.
14	W.W.	.625	.025 SQ.
15	Flex	.050	.017
22	Flex	.093	.017

No. Contacts / Dim's

Dimensions		
No. of Cont's	"A"	"B"
03	.296	.200
04	.396	.300
05	.496	.400
06	.596	.500
07	.696	.600
08	.796	.700
09	.896	.800
10	.996	.900
11	1.096	1.000
12	1.196	1.100
13	1.296	1.200
14	1.396	1.300
15	1.496	1.400
16	1.596	1.500
17	1.696	1.600
18	1.796	1.700
19	1.896	1.800
20	1.996	1.900
21	2.096	2.000
22	2.196	2.100



FSA BODY STYLE



FSJ BODY STYLE  
3 thru 18

# F SERIES SINGLE ROW RECEPTACLE

Options
Omit Contacts 01 thru 22
( Keying Pin ) Polarize 01 thru 22
Dip Solder D
Seal S

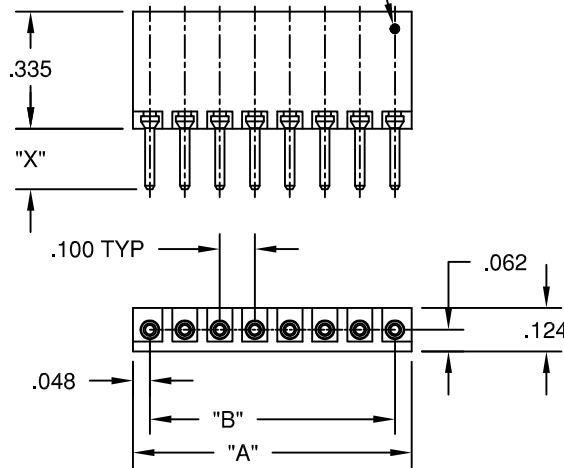
P/N **FXXXX - XX - XX**

Body Style

Contact Code

Cont Code	Contact Type	"X" Dim	Dia.
62	Dip Solder	.109	.027
54	Dip Solder	.140	.027
55	Dip Solder	.172	.027
67	Dip Solder	.234	.027
53	Solder Cup #22 AWG	.100	.035 I.D.
66	Flex	.050	.017
71	Flex	.093	.017
56	W.W.	.625	.025 SQ.
85	W.W.	.500	.025 SQ.

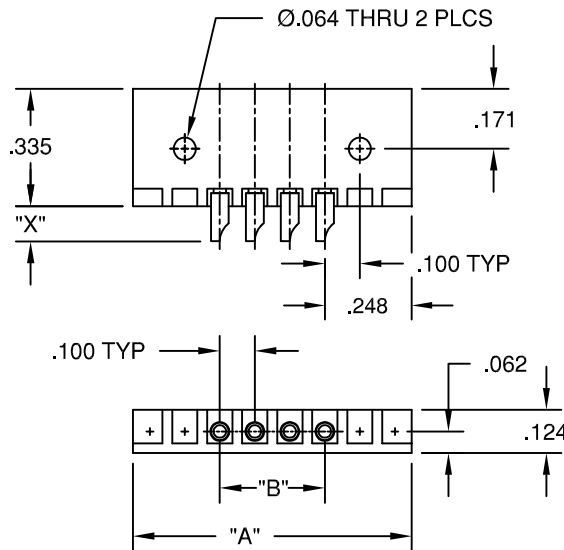
DOT ON CONNECTOR BODY (FARSIDE)  
INDICATES POSITION #1



FSB BODY STYLE

No. Contacts / Dim's

Dimensions		
No. of Cont's	"A"	"B"
03	.296	.200
04	.396	.300
05	.496	.400
06	.596	.500
07	.696	.600
08	.796	.700
09	.896	.800
10	.996	.900
11	1.096	1.000
12	1.196	1.100
13	1.296	1.200
14	1.396	1.300
15	1.496	1.400
16	1.596	1.500
17	1.696	1.600
18	1.796	1.700
19	1.896	1.800
20	1.996	1.900
21	2.096	2.000
22	2.196	2.100



FSK BODY STYLE

3 thru 18

# FXX RIGHT ANGLE PLUG

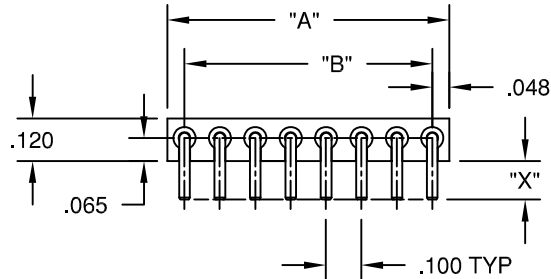
Options
Omit Contacts 01 thru 22
( Keying Pin ) Polarize 01 thru 22
Dip Solder D
Seal S

P/N FXXXX - XX - XX

Body Style

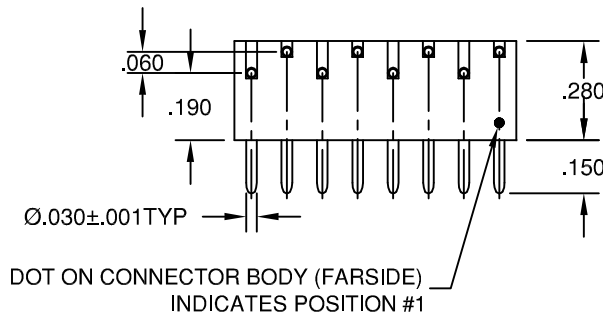
Contact Code

Cont Code	Contact Type	"X" Dim	Term. Dia.
1R	Dip Solder	.063	.030
2R	Dip Solder	.109	.030
3R	Dip Solder	.125	.030

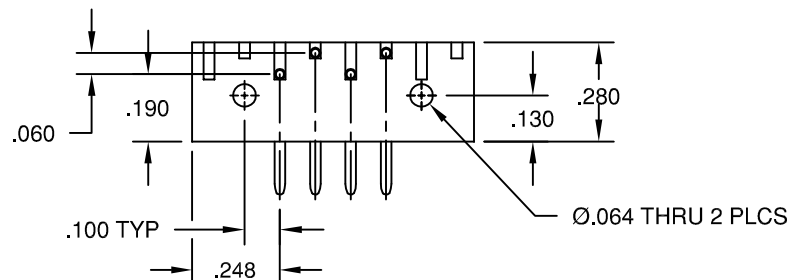
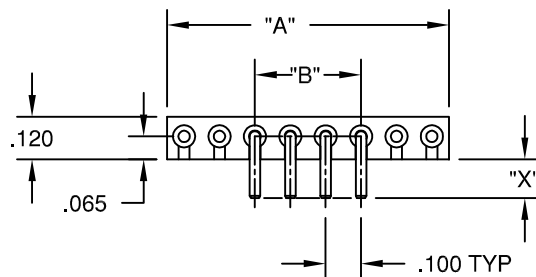


No. Contacts / Dim's

Dimensions		
No. of Cont's	"A"	"B"
03	.296	.200
04	.396	.300
05	.496	.400
06	.596	.500
07	.696	.600
08	.796	.700
09	.896	.800
10	.996	.900
11	1.096	1.000
12	1.196	1.100
13	1.296	1.200
14	1.396	1.300
15	1.496	1.400
16	1.596	1.500
17	1.696	1.600
18	1.796	1.700
19	1.896	1.800
20	1.996	1.900
21	2.096	2.000
22	2.196	2.100



FSF BODY STYLE



FSL BODY STYLE  
3 thru 18

# FXX RIGHT ANGLE RECEPTACLE

Options
Omit Contacts 01 thru 22
( Keying Pin ) Polarize 01 thru 22
Dip Solder D
Seal S

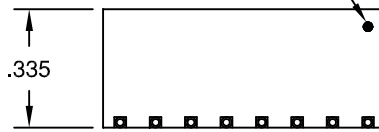
P/N FXXXX - XX - XX

Body Style

Contact Code

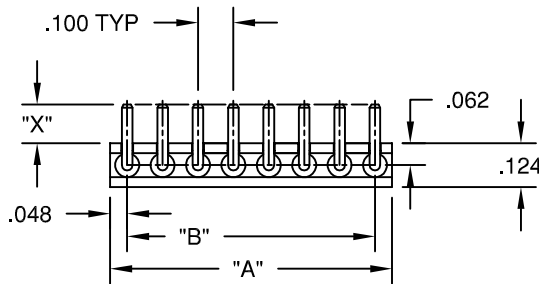
Cont Code	Contact Type	"X" Dim	Term. Dia
1D	Dip Solder	.109	.025
2D	Dip Solder	.140	.025
3D	Dip Solder	.063	.025

DOT ON CONNECTOR BODY (FARSIDE)  
INDICATES POSITION #1

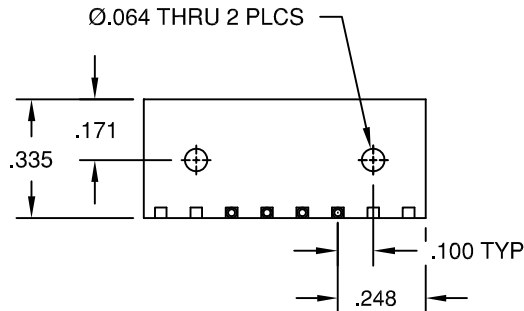


No. Contacts / Dim's

Dimensions		
No. of Cont's	"A"	"B"
03	.296	.200
04	.396	.300
05	.496	.400
06	.596	.500
07	.696	.600
08	.796	.700
09	.896	.800
10	.996	.900
11	1.096	1.000
12	1.196	1.100
13	1.296	1.200
14	1.396	1.300
15	1.496	1.400
16	1.596	1.500
17	1.696	1.600
18	1.796	1.700
19	1.896	1.800
20	1.996	1.900
21	2.096	2.000
22	2.196	2.100

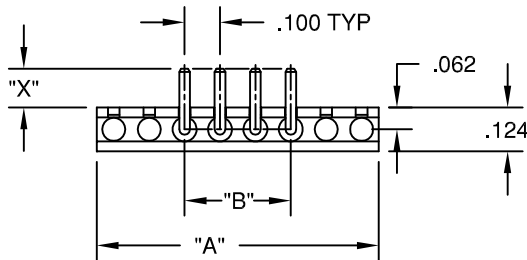


FST BODY STYLE



FSM BODY STYLE

3 thru 18



# .100 SERIES 2 ROW STRAIGHT PLUG or RECEPTACLE AND RIGHT ANGLE RECEPTACLE

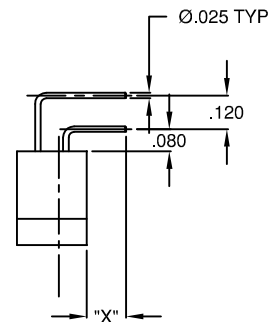
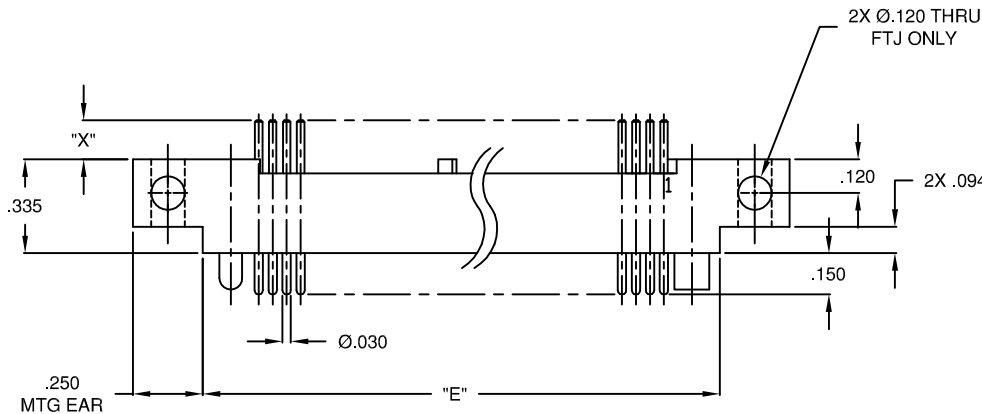
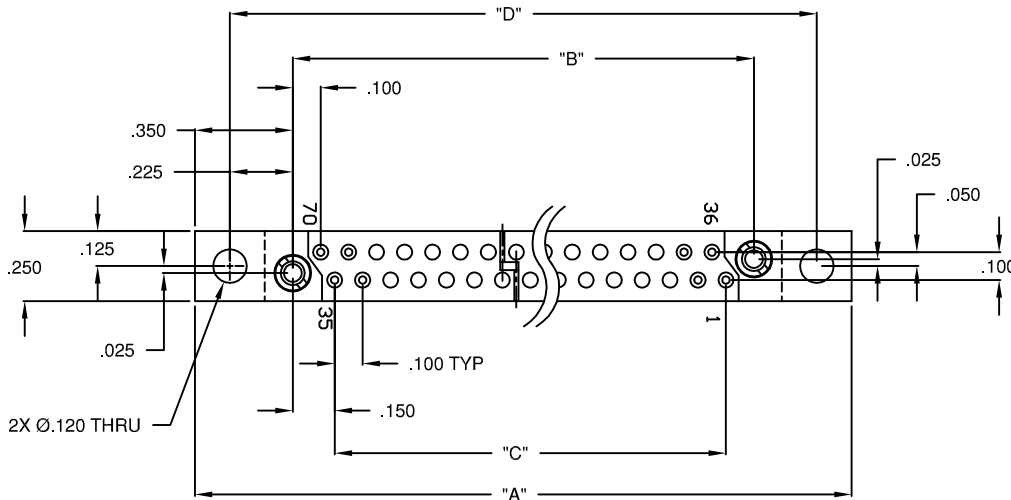
FAR | M55302 / 55 Plug  
M55302 / 63 Plug

P/N **FXX XX XX - XX - XX - XXX**

Body Style | Contact Code | Hardware Code | Special Variation | Polarization | Number of Contact Positions

see page F18 | see pages F19-F20, F23 | see page F35 | see page F23

Dimensions					
No. of Cnt's	"A"	"B"	"C"	"D"	"E"
10	1.350	.650	.400	1.100	.850
14	1.550	.850	.600	1.300	1.050
20	1.850	1.150	.900	1.600	1.350
24	2.050	1.350	1.100	1.800	1.550
26	2.150	1.450	1.200	1.900	1.650
30	2.350	1.650	1.400	2.100	1.850
36	2.650	1.950	1.700	2.400	2.150
40	2.850	2.150	1.900	2.600	2.350
44	3.050	2.350	2.100	2.800	2.550
50	3.350	2.650	2.400	3.100	2.850
54	3.550	2.850	2.600	3.300	3.050
56	3.650	2.950	2.700	3.400	3.150
60	3.850	3.150	2.900	3.600	3.350
66	4.150	3.450	3.200	3.900	3.650
70	4.350	3.650	3.400	4.100	3.850



FTJR, FTGR, FTFR

**MATING CONNECTORS:**

PLUG | FER - AS SHOWN **WITH** MTG EARS  
FAR - **WITHOUT** MTG EARS

FBR, FDR, FTW, FTY, FKBR, FKDR, FKGL, FKL, FKS, FKT, FKW, FKY, FTDR, FTBR, FTKR

RECEPTACLE | FER - AS SHOWN **WITH** MTG EARS  
FAR - **WITHOUT** MTG EARS  
FTGR - AS SHOWN **WITH** MTG EARS  
FTFR - **WITHOUT** MTG EARS  
FTJR - **WITH** MTG EARS, 2X Ø.120 THRU

FBR, FDR, FKBR, FKDR, FKGL, FKL, FKS, FKT, FKW, FKY

# .100 SERIES 2 ROW STRAIGHT RECEPTACLE or PLUG AND RIGHT ANGLE RECEPTACLE

FBR | M55302 / 56 Receptacle  
M55302 / 62 Receptacle  
M55302 / 64 Receptacle

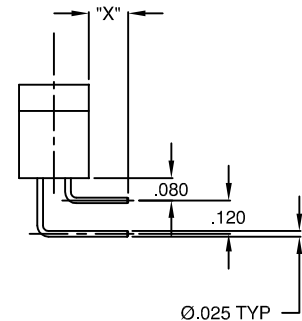
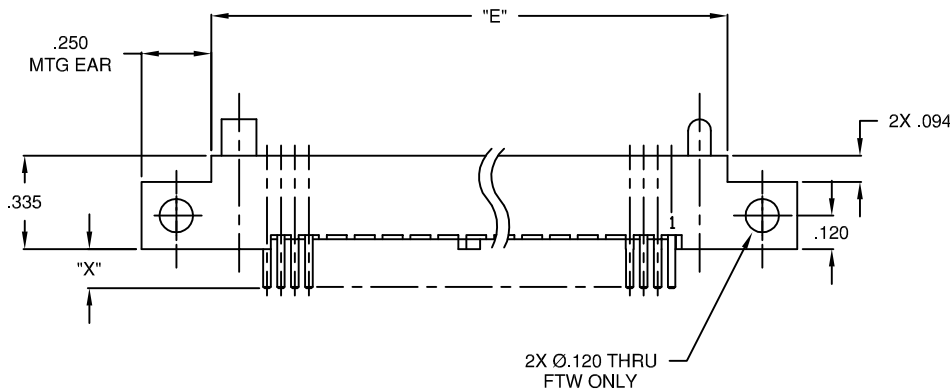
FDR - M55302 / 58 Receptacle

**P/N FXX XX XX - XX - XX - XXX**

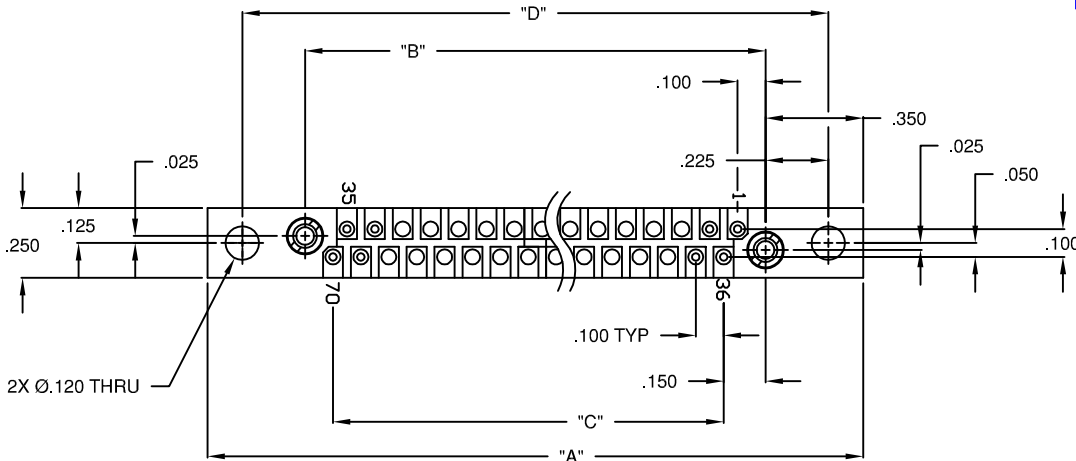
Body Style ————  
Contact Code ———— see page F18  
Hardware Code ———— see pages F19-F20, F23

Special Variation ———— see page F35  
Polarization ———— see page F23  
Number of Contact Positions ————

Dimensions					
No. of Cnt's	"A"	"B"	"C"	"D"	"E"
10	1.350	.650	.400	1.100	.850
14	1.550	.850	.600	1.300	1.050
20	1.850	1.150	.900	1.600	1.350
24	2.050	1.350	1.100	1.800	1.550
26	2.150	1.450	1.200	1.900	1.650
30	2.350	1.650	1.400	2.100	1.850
36	2.650	1.950	1.700	2.400	2.150
40	2.850	2.150	1.900	2.600	2.350
44	3.050	2.350	2.100	2.800	2.550
50	3.350	2.650	2.400	3.100	2.850
54	3.550	2.850	2.600	3.300	3.050
56	3.650	2.950	2.700	3.400	3.150
60	3.850	3.150	2.900	3.600	3.350
66	4.150	3.450	3.200	3.900	3.650
70	4.350	3.650	3.400	4.100	3.850



FTK, FTW, FTY



MATING CONNECTORS:

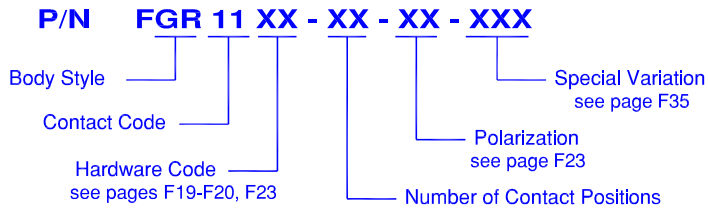
PLUG | FDR - AS SHOWN WITH MTG EARS  
FBR - WITHOUT MTG EARS

FAR, FER, FKA, FKE, FKF, FKH  
FKJ, FKR, FKV, FKZ, FTG, FTF, FTJ

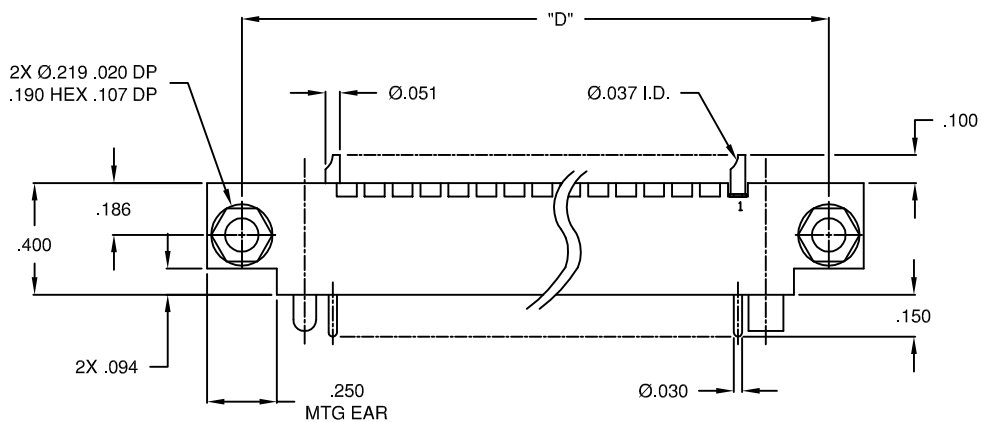
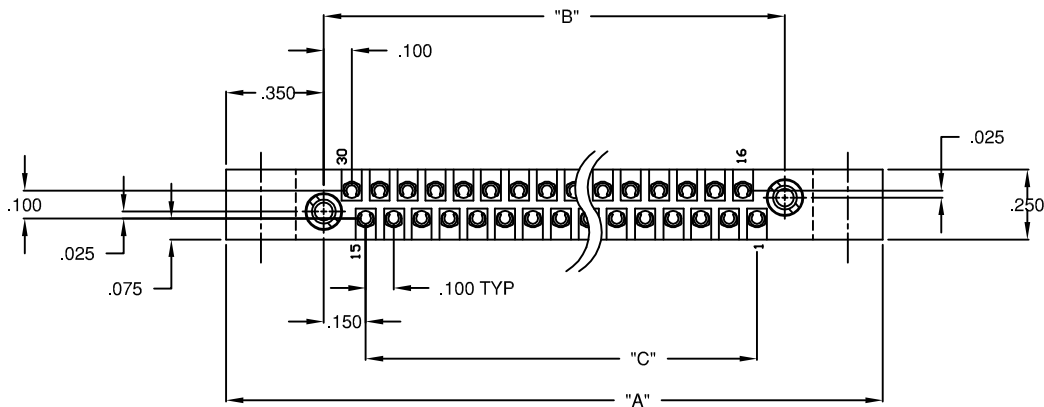
RECEPTACLE | FDR - AS SHOWN WITH MTG EARS  
FBR - WITHOUT MTG EARS  
FTW - AS SHOWN WITH MTG EARS, 2X Ø.120 THRU  
FTY - WITHOUT MTG EARS  
FTK - WITH MTG EARS

FAR, FCR, FER, FFR, FGR  
FKA, FKE, FKF, FKH  
FKJ, FKR, FKV, FKZ

# .100 SERIES 2 ROW STRAIGHT SOLDER CUP PLUG RIGHT ANGLE MTG



Dimensions				
No. of Cnt's	"A"	"B"	"C"	"D"
10	1.350	.650	.400	1.100
14	1.550	.850	.600	1.300
20	1.850	1.150	.900	1.600
24	2.050	1.350	1.100	1.800
26	2.150	1.450	1.200	1.900
30	2.350	1.650	1.400	2.100
36	2.650	1.950	1.700	2.400
40	2.850	2.150	1.900	2.600
44	3.050	2.350	2.100	2.800
50	3.350	2.650	2.400	3.100
54	3.550	2.850	2.600	3.300
56	3.650	2.950	2.700	3.400
60	3.850	3.150	2.900	3.600
66	4.150	3.450	3.200	3.900
70	4.350	3.650	3.400	4.100



FGR - AS SHOWN WITH MTG EARS

**MATING CONNECTORS:**

FBR, FDR, FTF, FTG  
 FKB, FKD, FKG, FKL  
 FKS, FKT, FKW, FKY

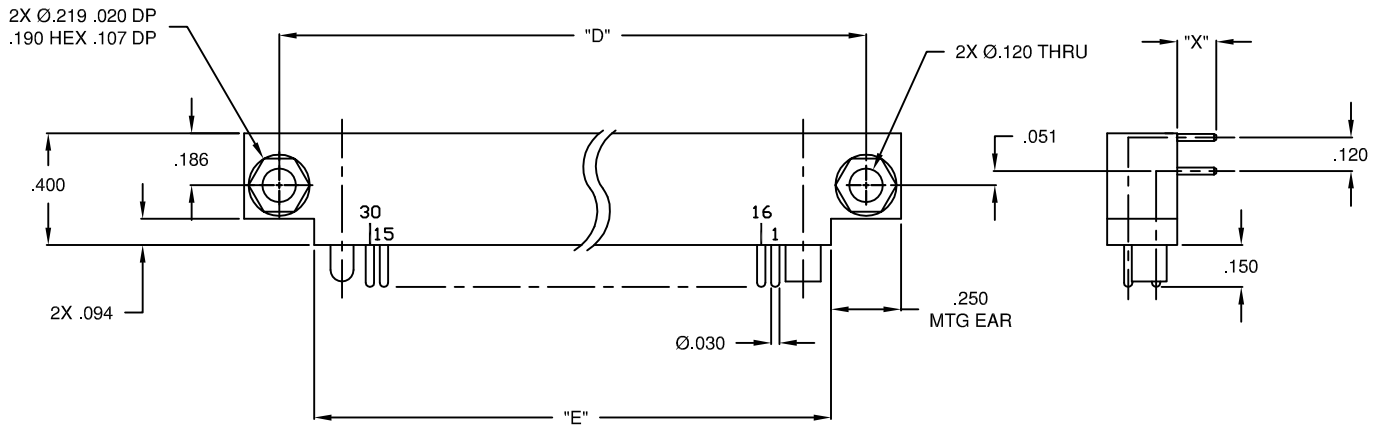
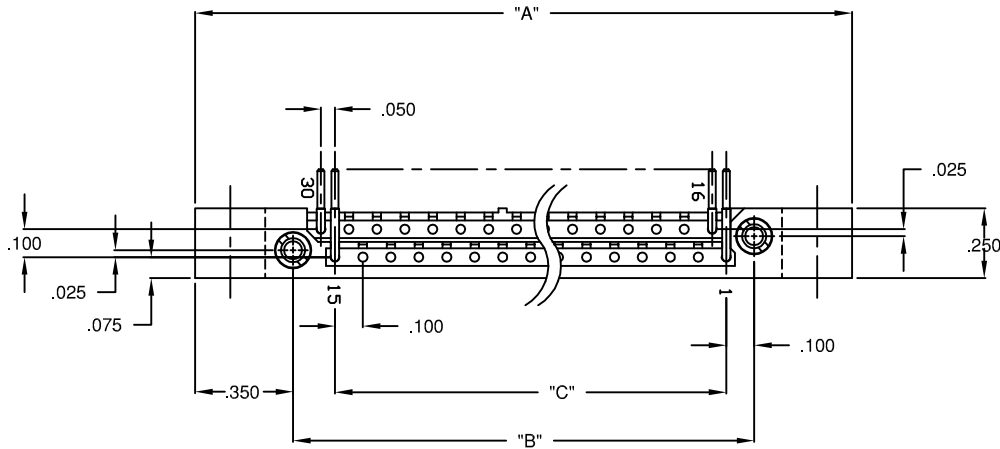
# .100 SERIES 2 ROW RIGHT ANGLE PLUG

FCR | M55302 / 57 Plug  
M55302 / 61 Plug

P/N **FXX XX XX - XX - XX - XXX**

Body Style  
Contact Code see page F18  
Hardware Code see pages F19-F20, F23  
Special Variation see page F35  
Polarization see page F23  
Number of Contact Positions

Dimensions					
No. of Cnt's	"A"	"B"	"C"	"D"	"E"
10	1.350	.650	.400	1.100	.850
14	1.550	.850	.600	1.300	1.050
20	1.850	1.150	.900	1.600	1.350
24	2.050	1.350	1.100	1.800	1.550
26	2.150	1.450	1.200	1.900	1.650
30	2.350	1.650	1.400	2.100	1.850
36	2.650	1.950	1.700	2.400	2.150
40	2.850	2.150	1.900	2.600	2.350
44	3.050	2.350	2.100	2.800	2.550
50	3.350	2.650	2.400	3.100	2.850
54	3.550	2.850	2.600	3.300	3.050
56	3.650	2.950	2.700	3.400	3.150
60	3.850	3.150	2.900	3.600	3.350
66	4.150	3.450	3.200	3.900	3.650
70	4.350	3.650	3.400	4.100	3.850



**MATING CONNECTORS:**

FBR, FDR, FTW, FTY  
FKB, FKD, FKG, FKL  
FKS, FKT, FKW, FKY  
FTDR, FTBR

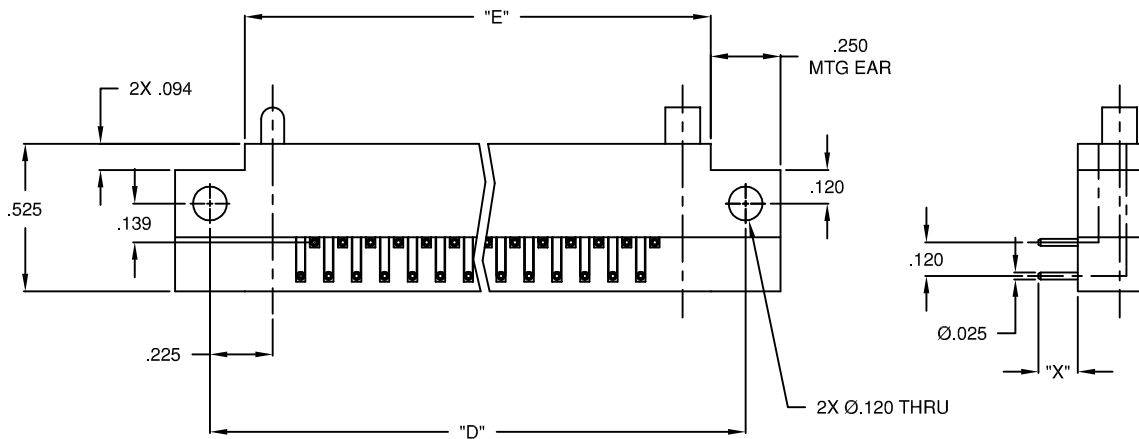
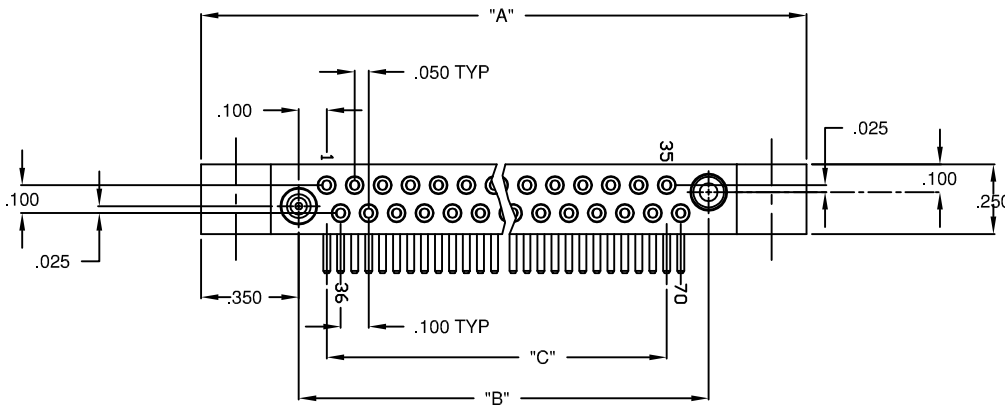
FCR - AS SHOWN WITH MTG EARS  
FFR - WITHOUT MTG EARS

# .100 SERIES 2 ROW RIGHT ANGLE RECEPTACLE P.C. BOARD EXTENDER

Dimensions					
No. of Cnt's	"A"	"B"	"C"	"D"	"E"
10	1.350	.650	.400	1.100	.850
14	1.550	.850	.600	1.300	1.050
20	1.850	1.150	.900	1.600	1.350
24	2.050	1.350	1.100	1.800	1.550
26	2.150	1.450	1.200	1.900	1.650
30	2.350	1.650	1.400	2.100	1.850
36	2.650	1.950	1.700	2.400	2.150
40	2.850	2.150	1.900	2.600	2.350
44	3.050	2.350	2.100	2.800	2.550
50	3.350	2.650	2.400	3.100	2.850
54	3.550	2.850	2.600	3.300	3.050
56	3.650	2.950	2.700	3.400	3.150
60	3.850	3.150	2.900	3.600	3.350
66	4.150	3.450	3.200	3.900	3.650
70	4.350	3.650	3.400	4.100	3.850

**P/N FTXX XX XXX - XX - XXX - XX**

Body Style ————  
 Contact Code ———— see page F18  
 Hardware Code ———— see pages F21 & F23  
 Polarization ———— see page F23  
 Special Variation ———— see page F35  
 Number of Positions ————



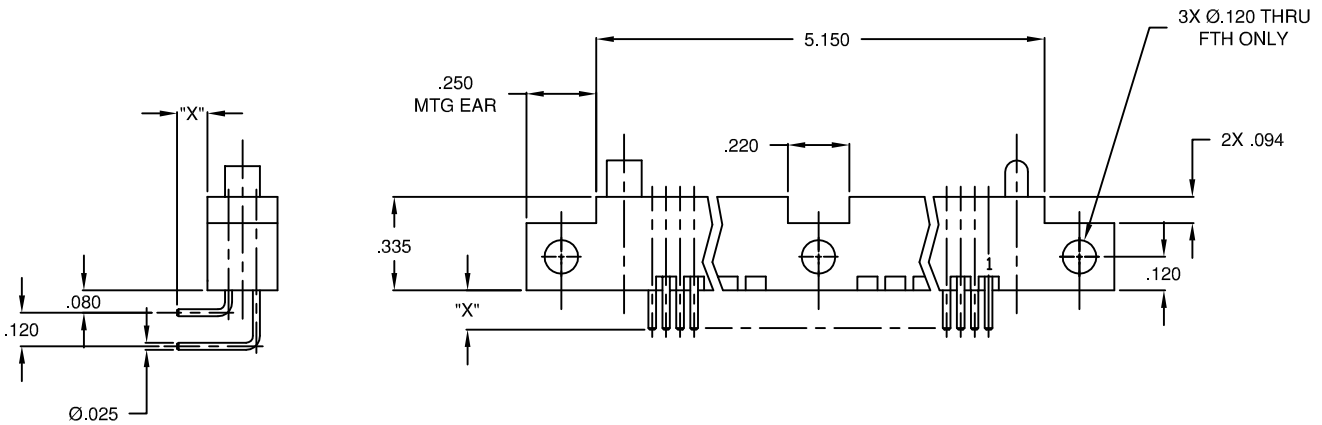
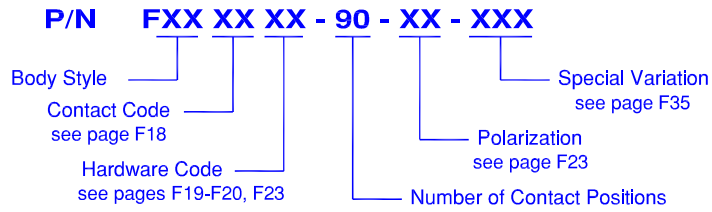
FTDR - AS SHOWN WITH MTG EARS  
 FTBR - WITHOUT MTG EARS

**MATING CONNECTORS:**

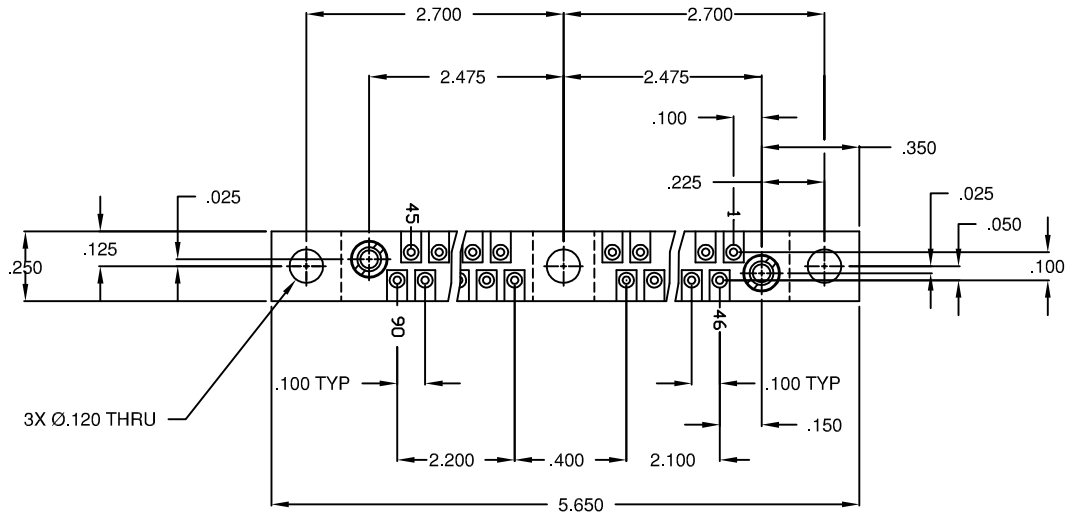
FAR, FCR, FER, FFR, FGR  
 FKA, FKE, FKF, FKH  
 FKJ, FKR, FKV, FKZ

# .100 SERIES 2 ROW STRAIGHT & RIGHT ANGLE RECEPTACLE

M55302 / 60 Receptacle



FTH



MATING CONNECTORS:

FDR - AS SHOWN WITH MTG EARS  
 FTH - RIGHT ANGLE WITH MTG EARS

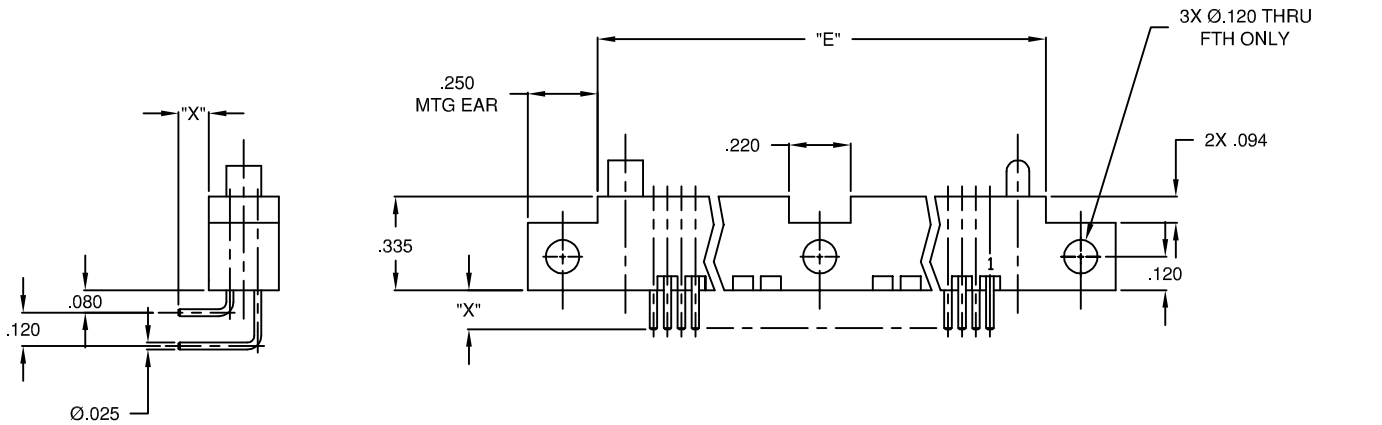
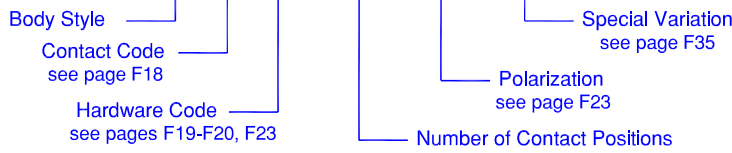
FDR

# .100 SERIES 2 ROW STRAIGHT & RIGHT ANGLE RECEPTACLE

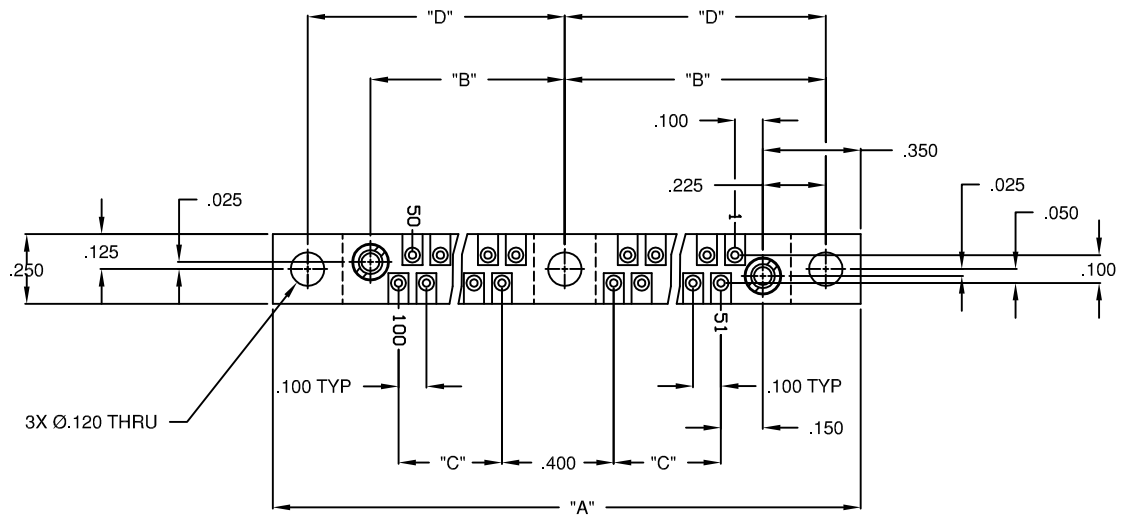
M55302 / 60 Receptacle

Dimensions					
No. of Cnt's	"A"	"B"	"C"	"D"	"E"
100	6.150	2.725	2.400	2.950	5.650
120	7.150	3.225	2.900	3.450	6.650

**P/N FXX XX XX - XXX - XX - XXX**



FTH



MATING CONNECTORS:

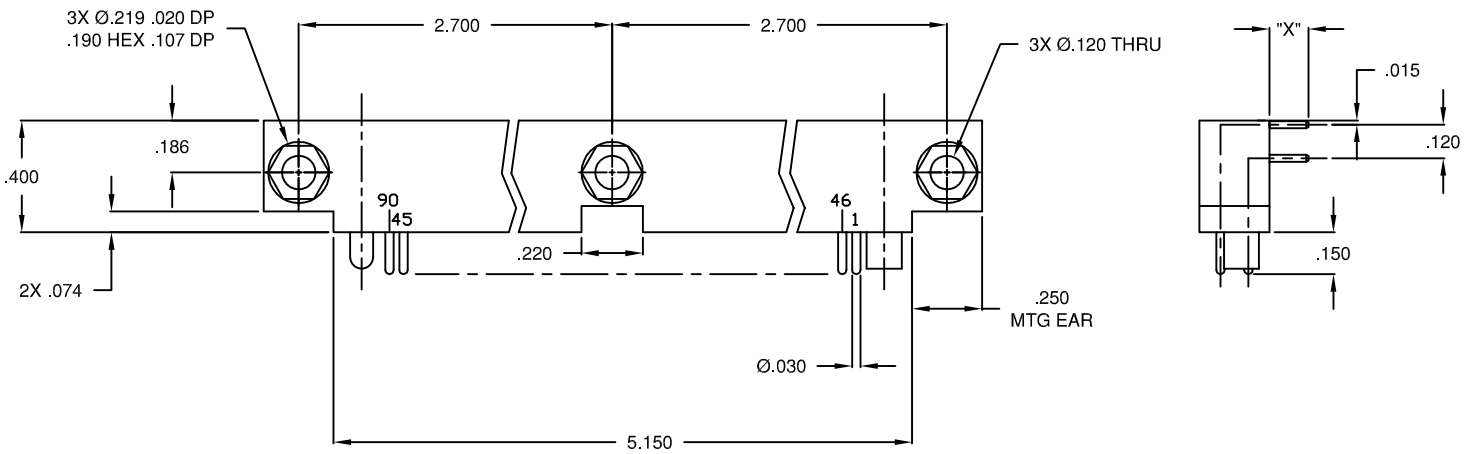
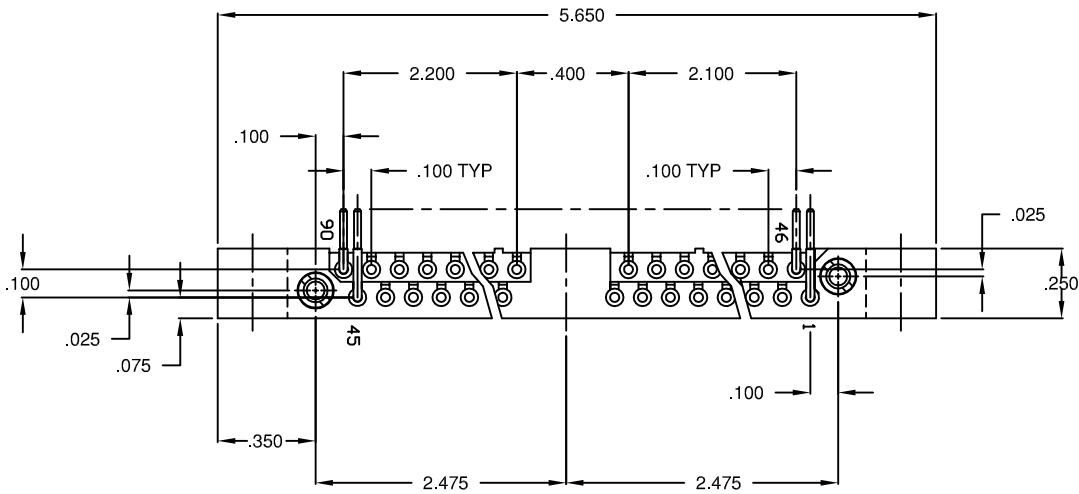
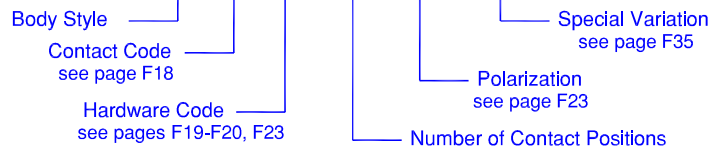
FDR - AS SHOWN WITH MTG EARS  
FTH - RIGHT ANGLE WITH MTG EARS

FCR

# .100 SERIES 2 ROW RIGHT ANGLE PLUG

M55302 / 59 Plug

**P/N FCR XX XX - 90 - XX - XXX**



MATING CONNECTORS:

FCR - AS SHOWN WITH MTG EARS

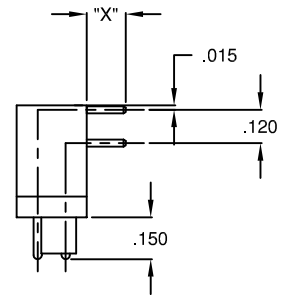
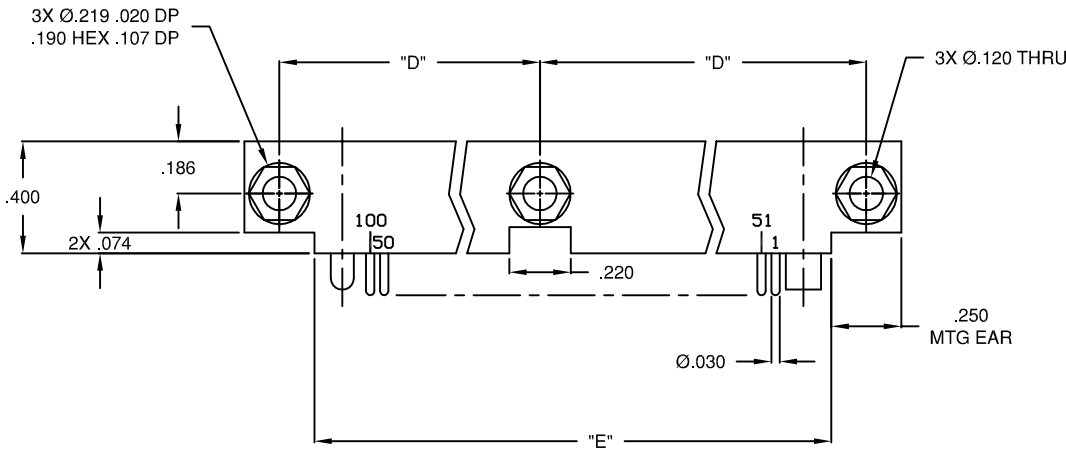
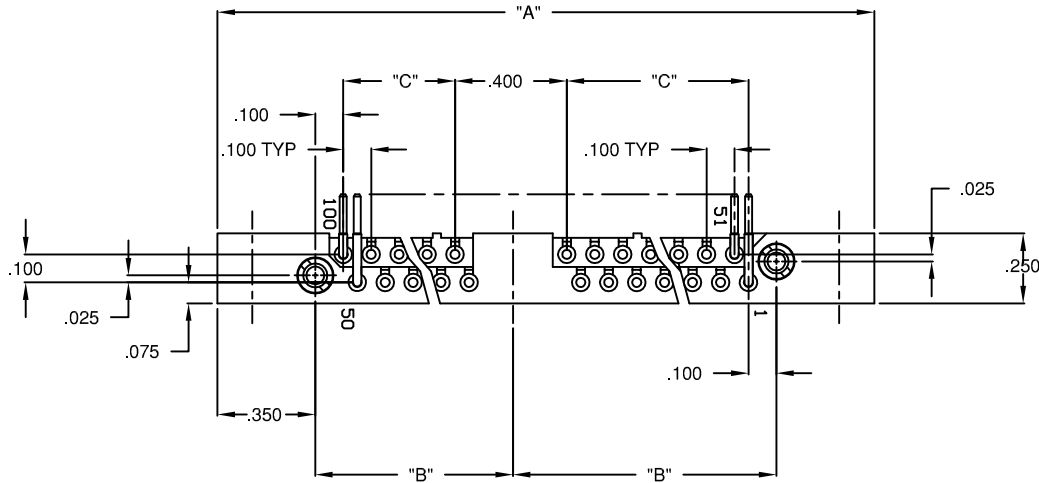
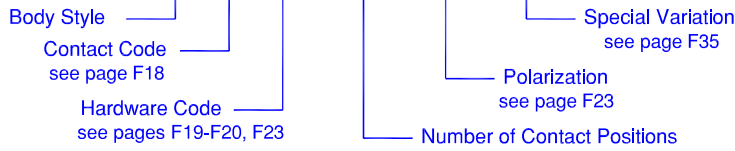
FDR, FTH

# .100 SERIES 2 ROW RIGHT ANGLE PLUG

M55302 / 59 Plug

Dimensions					
No. of Cnt's	"A"	"B"	"C"	"D"	"E"
100	6.150	2.725	2.400	2.950	5.650
120	7.150	3.225	2.900	3.450	6.650

**P/N FCR XX XX - XXX - XX - XXX**



MATING CONNECTORS:

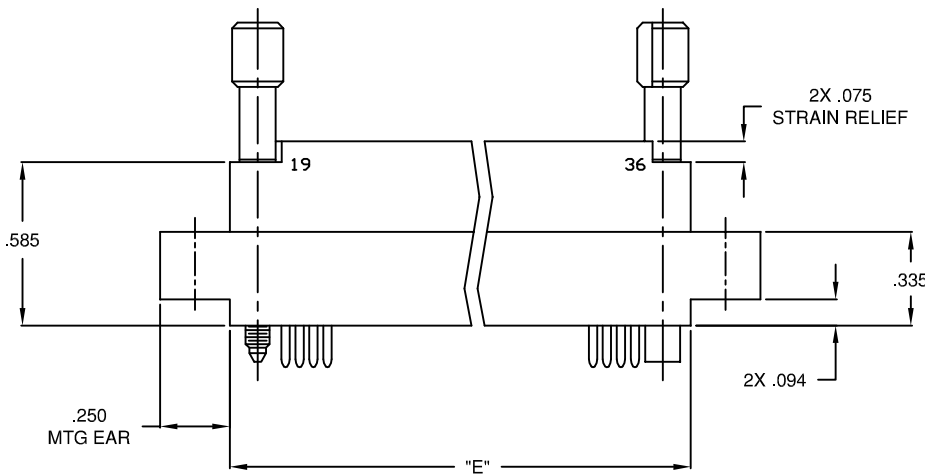
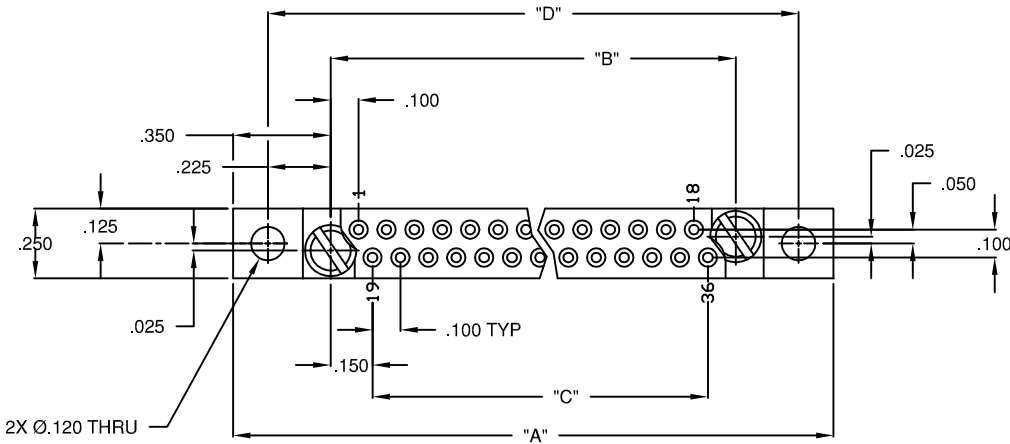
FCR - AS SHOWN WITH MTG EARS

FDR, FTH

# .100 SERIES 2 ROW PLUG / RECEPTACLE CRIMP REMOVABLE, #22 AWG

**P/N FXXX - XX XX - XXX - XX**

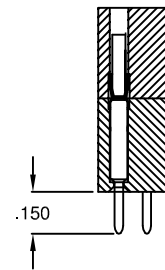
Body Style ————  
 Contact Code ———— see below  
 Number of Contact Positions ————  
 Polarization ———— see page F23  
 Special Variation ———— see page F35  
 Hardware Code ———— see pages F22 & F23



Dimensions					
No. of Cnt's	"A"	"B"	"C"	"D"	"E"
10	1.350	.650	.400	1.100	.850
14	1.550	.850	.600	1.300	1.050
20	1.850	1.150	.900	1.600	1.350
24	2.050	1.350	1.100	1.800	1.550
26	2.150	1.450	1.200	1.900	1.650
30	2.350	1.650	1.400	2.100	1.850
36	2.650	1.950	1.700	2.400	2.150
40	2.850	2.150	1.900	2.600	2.350
44	3.050	2.350	2.100	2.800	2.550
50	3.350	2.650	2.400	3.100	2.850
54	3.550	2.850	2.600	3.300	3.050
56	3.650	2.950	2.700	3.400	3.150
60	3.850	3.150	2.900	3.600	3.350
66	4.150	3.450	3.200	3.900	3.650
70	4.350	3.650	3.400	4.100	3.850

## CONTACT CODES:

**P**  
PIN CONTACT



**S**  
SOCKET CONTACT  
[M55302 / 65-02](#)



## MATING CONNECTORS:

FBR, FDR, FGR PLUG

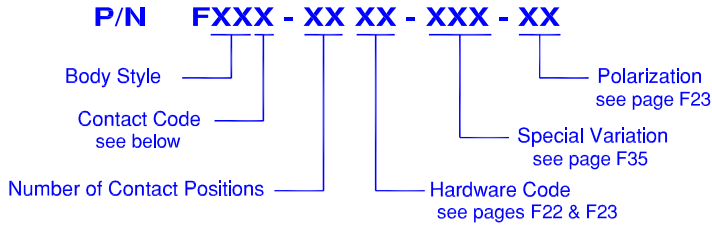
FBR, FDR, FTW  
FTY, FTD, FTB RECEPTACLE

- FKE - AS SHOWN **WITH** STRAIN RELIEF & **WITH** MTG EARS
- FKA - **WITH** STRAIN RELIEF & **WITHOUT** MTG EARS
- FKV - **WITHOUT** STRAIN RELIEF & **WITH** MTG EARS
- FKZ - **WITHOUT** STRAIN RELIEF & **WITHOUT** MTG EARS
- FKH - AS SHOWN **WITH** STRAIN RELIEF & **WITH** MTG EARS (RECESSED HARDWARE)
- FKF - **WITH** STRAIN RELIEF & **WITHOUT** MTG EARS (RECESSED HARDWARE)
- FKJ - **WITHOUT** STRAIN RELIEF & **WITH** MTG EARS (RECESSED HARDWARE)
- FKR - **WITHOUT** STRAIN RELIEF & **WITHOUT** MTG EARS (RECESSED HARDWARE)

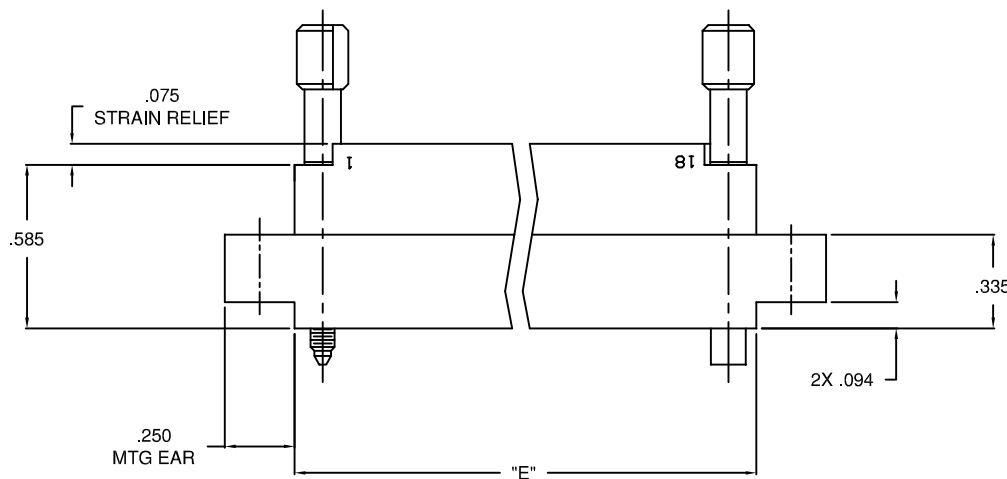
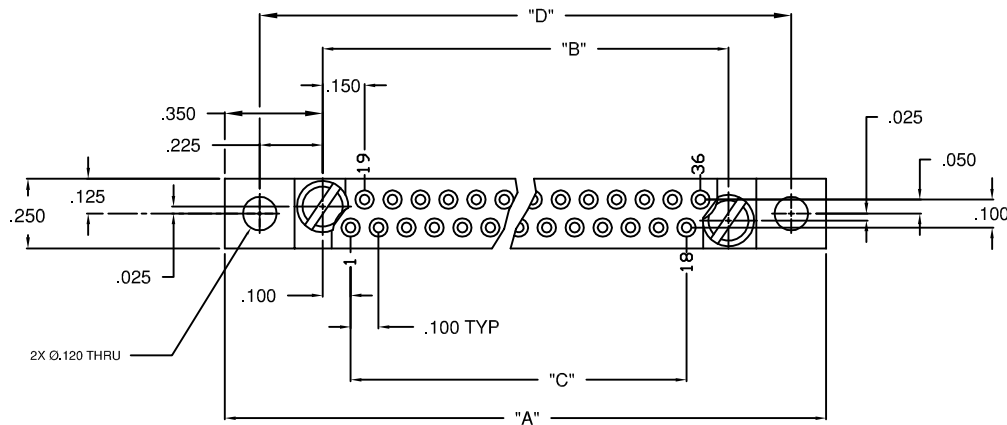
\*Call for Crimp Tooling/Accessories

# .100 SERIES 2 ROW PLUG / RECEPTACLE CRIMP REMOVABLE, #22 AWG

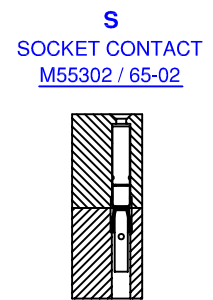
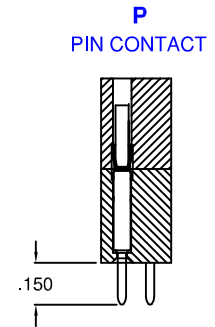
FKDR - M55302 / 65 Receptacle  
FKBR - M55302 / 66 Receptacle



Dimensions					
No. of Cnt's	"A"	"B"	"C"	"D"	"E"
10	1.350	.650	.400	1.100	.850
14	1.550	.850	.600	1.300	1.050
20	1.850	1.150	.900	1.600	1.350
24	2.050	1.350	1.100	1.800	1.550
26	2.150	1.450	1.200	1.900	1.650
30	2.350	1.650	1.400	2.100	1.850
36	2.650	1.950	1.700	2.400	2.150
40	2.850	2.150	1.900	2.600	2.350
44	3.050	2.350	2.100	2.800	2.550
50	3.350	2.650	2.400	3.100	2.850
54	3.550	2.850	2.600	3.300	3.050
56	3.650	2.950	2.700	3.400	3.150
60	3.850	3.150	2.900	3.600	3.350
66	4.150	3.450	3.200	3.900	3.650
70	4.350	3.650	3.400	4.100	3.850



### CONTACT CODES:



### MATING CONNECTORS:

FAR, FCR  
FER, FFR, FGR

PLUG

FAR, FER  
FTG, FTF

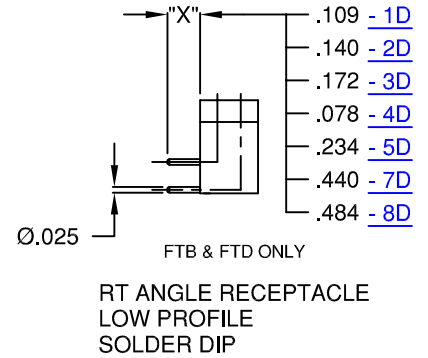
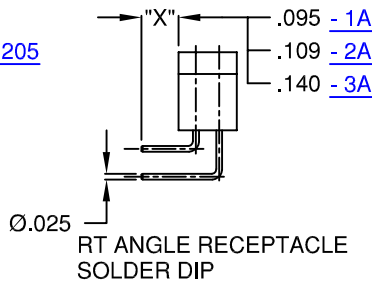
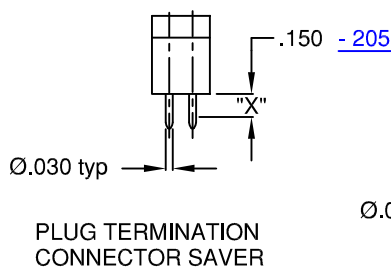
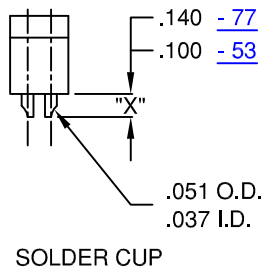
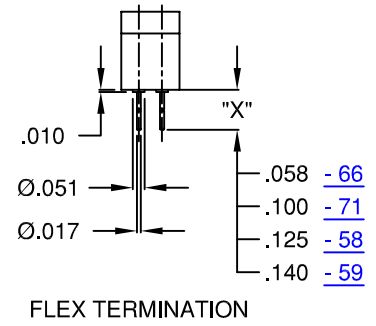
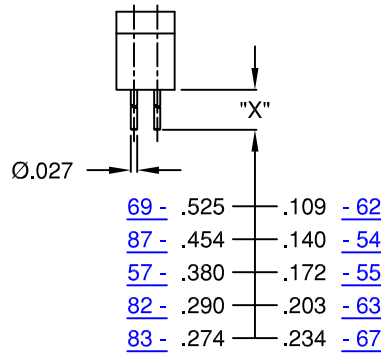
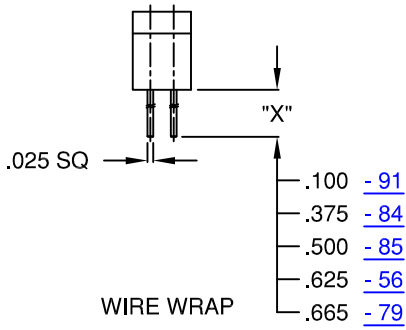
RECEPTACLE

- FKY - AS SHOWN WITH STRAIN RELIEF & WITH MTG EARS
- FKW - WITH STRAIN RELIEF & WITHOUT MTG EARS
- FKDR - WITHOUT STRAIN RELIEF & WITH MTG EARS
- FKBR - WITHOUT STRAIN RELIEF & WITHOUT MTG EARS
- FKT - AS SHOWN WITH STRAIN RELIEF & WITH MTG EARS (RECESSED HARDWARE)
- FKS - WITH STRAIN RELIEF & WITHOUT MTG EARS (RECESSED HARDWARE)
- FKL - WITHOUT STRAIN RELIEF & WITH MTG EARS (RECESSED HARDWARE)
- FKG - WITHOUT STRAIN RELIEF & WITHOUT MTG EARS (RECESSED HARDWARE)

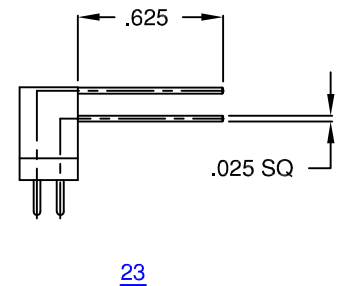
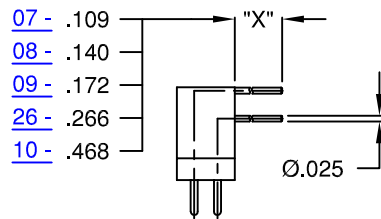
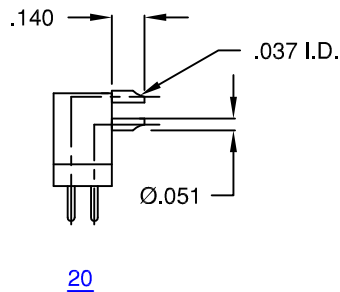
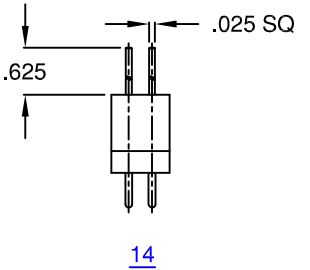
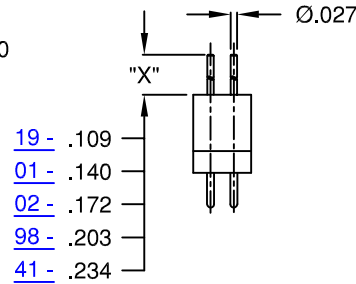
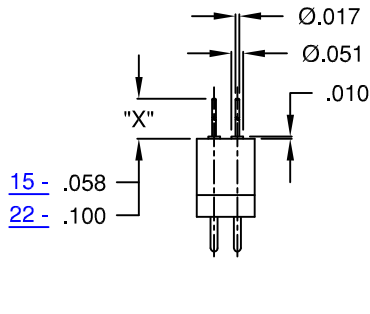
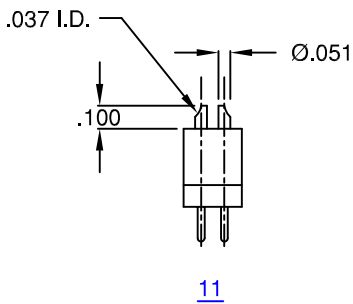
\*Call for Crimp Tooling/Accessories

# .100 SERIES 2 ROW CONTACT CODES

## RECEPTACLE



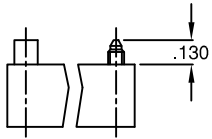
## PLUG



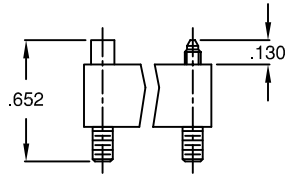
# .100 SERIES 2 & 3 ROW HARDWARE CODES

## FIXED JACKSETS

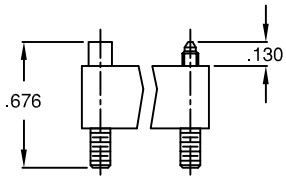
## TURNING JACKSETS



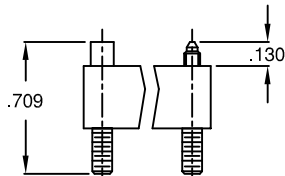
**07** - FIXED JACKSET  
FIGURE #1



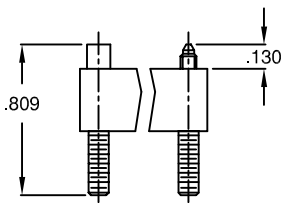
**29** - FIXED JACKSET  
FIGURE #2



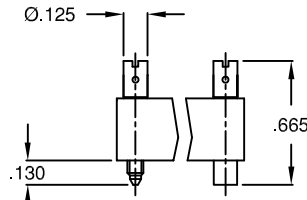
**55** - LONG FIXED JACKSET  
FIGURE #3



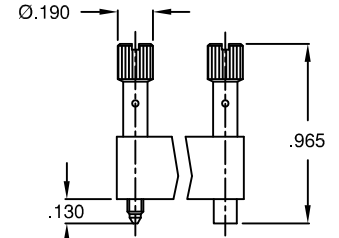
**11** - LONG FIXED JACKSET  
FIGURE #4



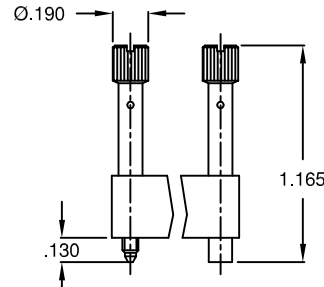
**35** - EX. LONG FIXED JACKSET  
FIGURE #5



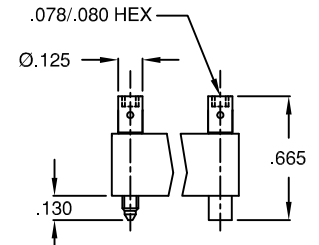
**15** - SHORT TURNING JACKSET  
FIGURE #1



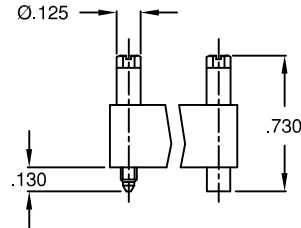
**19** - LONG TURNING JACKSET  
FIGURE #2



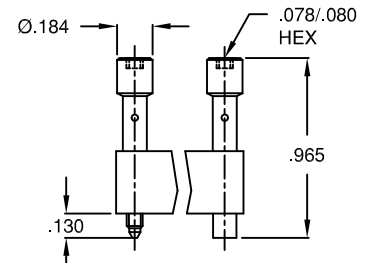
**31** - EX. LONG TURNING JACKSET  
FIGURE #3



**25** - HEX TURNING JACKSET  
FIGURE #4



**58** - SHORT HEX/SLOT TURNING JACKSET  
FIGURE #5



**72** - LONG TURNING HEX JACKSET  
FIGURE #6

CODE	MIL CODE	FIG NO.	HARDWARE DESCRIPTION	MIL APPROVED
07	F	1	FIXED JACKSET	/138
08			FIXED JACKSET REVERSED	NO
09			FIXED JACKSCREWS (2)	NO
10			FIXED JACKSOCKETS (2)	NO
29		2	FIXED JACKSET	NO
47			FIXED JACKSCREWS REVERSED	NO
55		3	LONG FIXED JACKSET	NO
64			LONG FIXED JACKSET REVERSED	NO
11		4	LONG FIXED JACKSET	NO
12			LONG FIXED JACKSET REVERSED	NO
13			LONG FIXED JACKSCREWS (2)	NO
14			LONG FIXED JACKSOCKETS (2)	NO
35		5	EX. LONG FIXED JACKSET	NO
60			EX. LONG FIXED JACKSET REVERSED	NO

**Notes:**

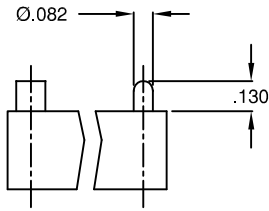
\*For 122 pin count FLR & FMR series connectors add a "3" before the hardware code. Example: 307 Fixed Jackset

\*Unless stated otherwise, all threads are #2-56 UNC\*

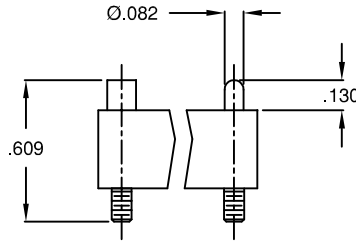
CODE	MIL CODE	FIG NO.	HARDWARE DESCRIPTION	MIL APPROVED
15	S	1	SHORT TURNING JACKSET	/138
16			SHORT TURNING JACKSET REVERSED	NO
17			SHORT TURNING JACKSCREWS (2)	NO
18			SHORT TURNING JACKSOCKETS (2)	NO
19		2	LONG TURNING JACKSET	NO
20			LONG TURNING JACKSET REVERSED	NO
21			LONG TURNING JACKSCREWS (2)	NO
22			LONG TURNING JACKSOCKETS (2)	NO
31		3	EX. LONG TURNING JACKSET	NO
38			EX. LONG TURNING JACKSET REVERSED	NO
44			EX. LONG TURNING JACKSCREWS (2)	NO
45			EX. LONG TURNING JACKSOCKETS (2)	NO
25	H	4	HEX TURNING JACKSET	/138
26			HEX TURNING JACKSET REVERSED	NO
27			HEX TURNING JACKSCREWS (2)	NO
28			HEX TURNING JACKSOCKETS (2)	NO
58		5	SHORT HEX/SLOT TURNING JACKSET	NO
72		6	LONG TURNING HEX JACKSET	NO

# .100 SERIES 2 & 3 ROW HARDWARE CODES

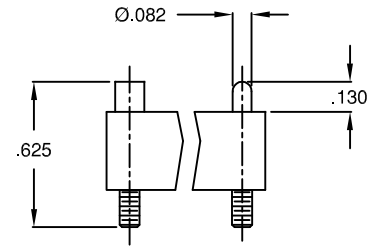
## GUIDE SETS



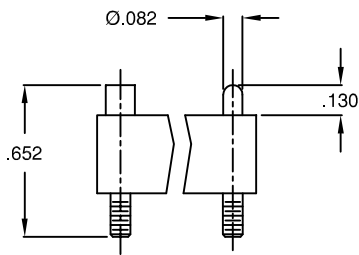
01 - GUIDE SET  
FIGURE #1



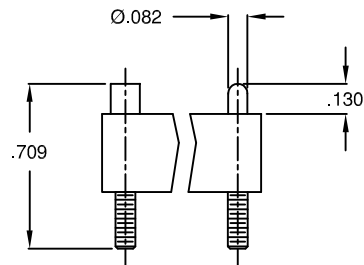
32 - LONG GUIDE SET  
FIGURE #2



39 - LONG GUIDE SET  
FIGURE #3



36 - LONG GUIDE SET  
FIGURE #4



04 - LONG GUIDE SET  
FIGURE #5

Notes:

\*For 122 pin count FLR & FMR series connectors add a "3" before the hardware code. Example: 301 Guide Set

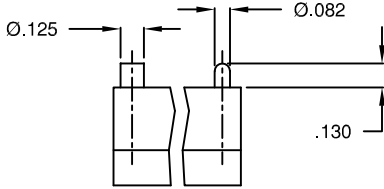
\*Unless stated otherwise, all threads are #2-56 UNC\*

<u>CODE</u>	<u>MIL CODE</u>	<u>FIG NO.</u>	<u>HARDWARE DESCRIPTION</u>	<u>MIL APPROVED</u>
01	X	1	GUIDE SET	/138
02			GUIDE PINS (2)	NO
03			GUIDE SOCKETS (2)	NO
23			GUIDE SET REVERSED	NO
32		2	LONG GUIDE SET	NO
39		3	LONG GUIDE SET	NO
36		4	LONG GUIDE SET	NO
04		5	LONG GUIDE SET	NO
05			LONG GUIDE PINS (2)	NO
06			LONG GUIDE SOCKETS (2)	NO
24			LONG GUIDE SET REVERSED	NO

# .100 SERIES 2 & 3 ROW HARDWARE CODES

## FTBR & FTDR

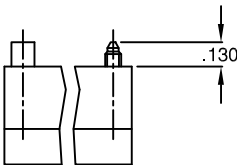
### GUIDE SETS



**101 - GUIDE SET**  
FIGURE #1

CODE	MIL CODE	FIG NO.	HARDWARE DESCRIPTION	MIL APPROVED
101		1	GUIDE SET	NO
102			GUIDE PINS	NO
103			GUIDE SOCKETS	NO
123			GUIDE SET, REVERSED	NO

### FIXED JACKSETS

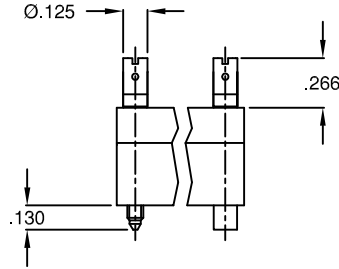


**107 - FIXED JACKSET**  
FIGURE #1

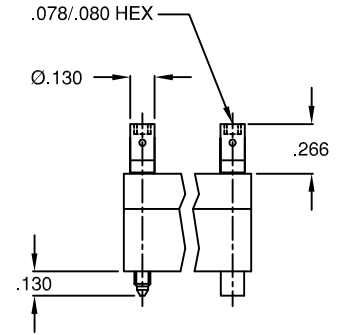
\*Unless stated otherwise, all threads are #2-56 UNC\*

CODE	MIL CODE	FIG NO.	HARDWARE DESCRIPTION	MIL APPROVED
107		1	FIXED JACKSET	NO
108			FIXED JACKSET REVERSED	NO
109			TWO FIXED JACKSCREWS	NO
110			TWO FIXED JACKSOCKETS	NO

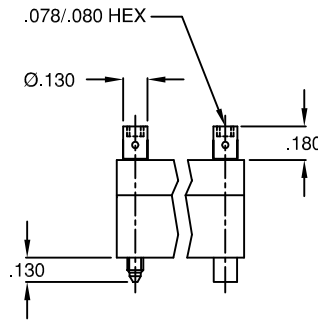
### TURNING JACKSETS



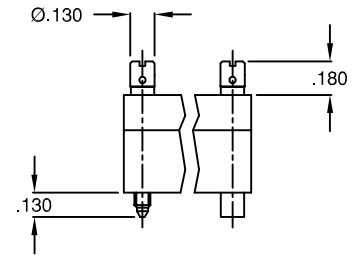
**115 - TURNING JACKSET**  
FIGURE #1



**125 - HEX TURNING JACKSET**  
FIGURE #2



**138 - SHORT TURNING HEX JACKSET**  
FIGURE #3



**140 - SHORT TURNING JACKSET**  
FIGURE #4

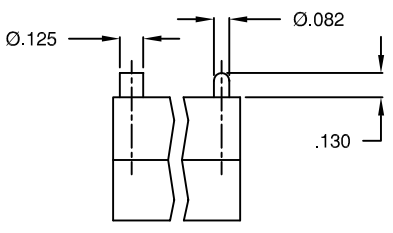
\*Unless stated otherwise, all threads are #2-56 UNC\*

CODE	MIL CODE	FIG NO.	HARDWARE DESCRIPTION	MIL APPROVED
115		1	TURNING JACKSET	NO
116			TURNING JACKSET REVERSED	NO
117			TWO TURNING JACKSCREWS	NO
118			TWO TURNING JACKSOCKETS	NO
125		2	HEX TURNING JACKSET	NO
126			HEX TURNING JACKSET REVERSED	NO
127			TWO HEX TURNING JACKSCREWS	NO
128			TWO HEX TURNING JACKSOCKETS	NO
138		3	SHORT TURNING JACKSET	NO
139			SHORT HEX TURNING JACKSET, REV	NO
140		4	SHORT TURNING JACKSET	NO

# .100 SERIES 2 & 3 ROW HARDWARE CODES

## CRIMP REMOVABLE

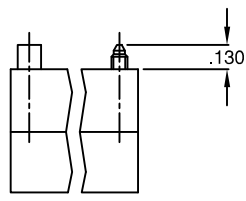
### GUIDE SETS



**G** - GUIDE SET  
FIGURE #1

CODE	MIL CODE	FIG NO.	HARDWARE DESCRIPTION	MIL APPROVED
G	X	1	GUIDE SET	YES
GR			GUIDE SET REVERSED	NO

### FIXED JACKSETS

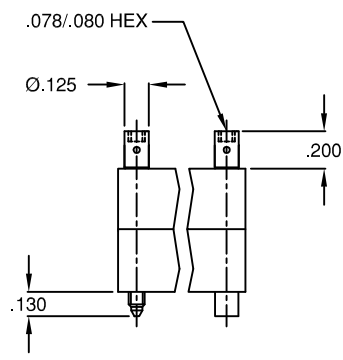


**F** - FIXED JACKSET  
FIGURE #1

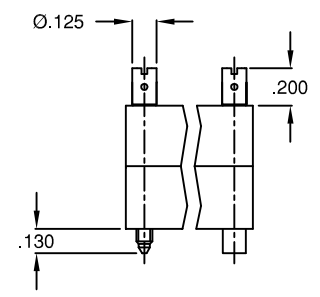
\*Unless stated otherwise, all threads are #2-56 UNC\*

CODE	MIL CODE	FIG NO.	HARDWARE DESCRIPTION	MIL APPROVED
F	F	1	FIXED JACKSET	YES
FR			FIXED JACKSET REVERSED	NO
F2M			TWO FIXED JACKSCREWS	NO
F2F			TWO FIXED JACKSOCKETS	NO

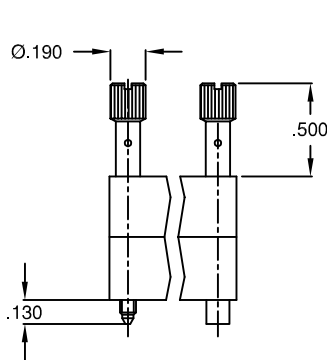
### TURNING JACKSETS



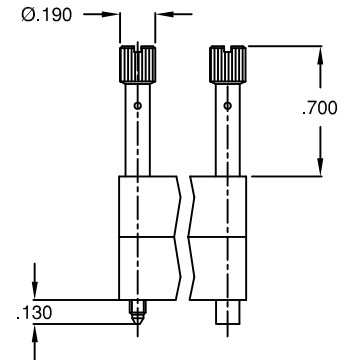
**SH** - HEX TURNING JACKSET



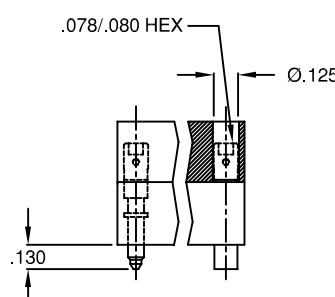
**S** - SHORT TURNING JACKSET



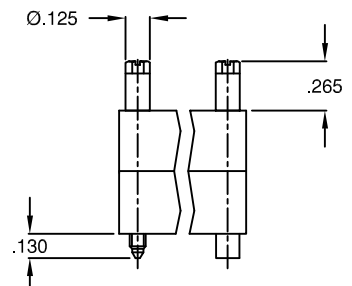
**M** - MEDIUM TURNING JACKSET



**L** - LONG TURNING JACKSET



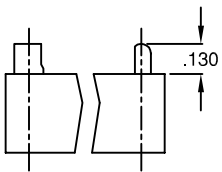
**RTH** - RECESSED HEX TURNING JACKSET



**EH** - TURNING EXTERNAL JACKSET (HEX KNOB)

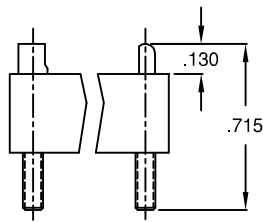
\*Unless stated otherwise, all threads are #2-56 UNC\*

# .100 SERIES HARDWARE POLARIZATION CODES

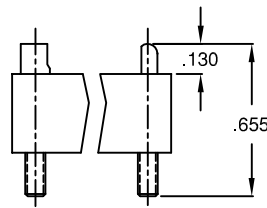


(x)33 - GUIDE SET  
POLARIZED

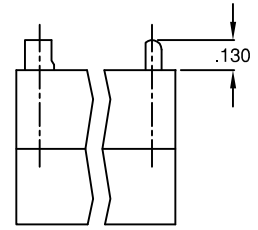
ADD A "1" FOR FTB & FTD STYLE



34 - GUIDE SET  
LONG POLARIZED



37 - GUIDE SET  
LONG POLARIZED



PG - GUIDE SET  
POLARIZED

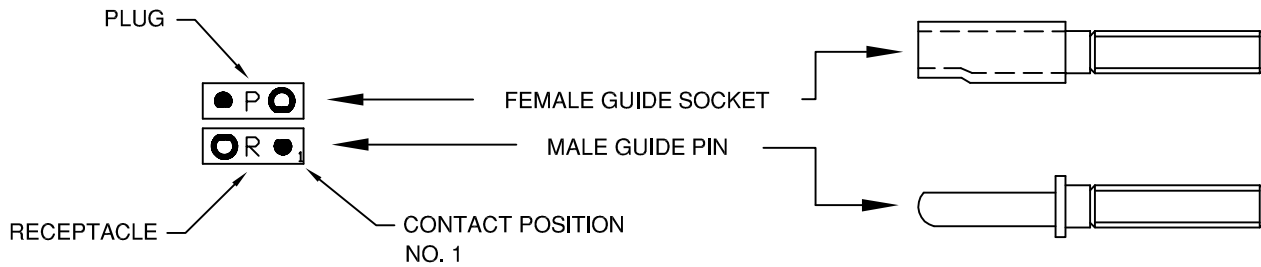
2 / 3 ROW POLARIZATION

CRIMP REMOVABLE POLARIZATION

**Notes:**

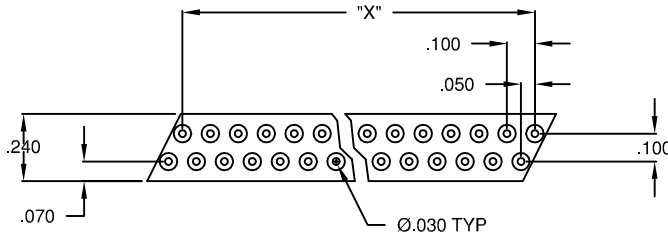
\*For 122 pin count FLR & FMR series connectors add a "3"  
before the hardware code. Example: 333 Polarized Hardware

\*Unless stated otherwise, all threads are #2-56 UNC\*



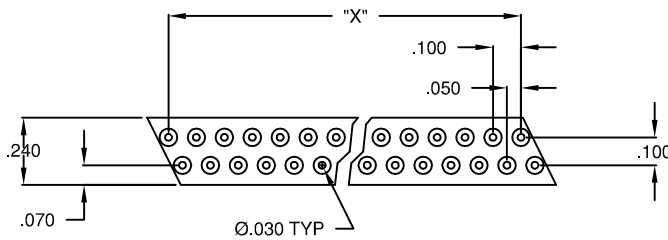
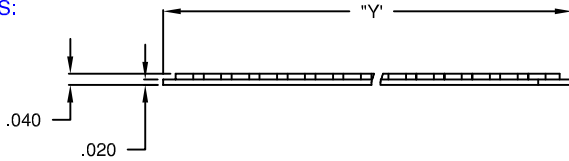
01	09	17	25	33	41	49	57	
02	10	18	26	34	42	50	58	
03	11	19	27	35	43	51	59	65
04	12	20	28	36	44	52	60	1-16
05	13	21	29	37	45	53	61	17-32
06	14	22	30	38	46	54	62	67
07	15	23	31	39	47	55	63	33-48
08	16	24	32	40	48	56	64	68
								49-64

# .100 SERIES 2 ROW INTERFACIAL SILICONE RUBBER GASKETS



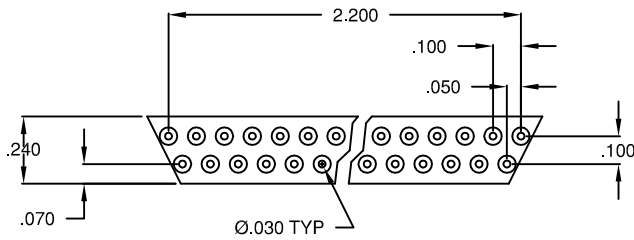
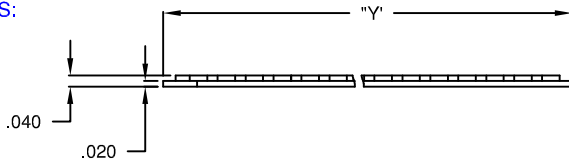
**R1154-XX-1 TYPE #1**  
USED WITH CONNECTORS:

FAR, FCR

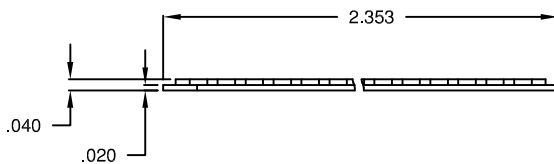


**R1154-XX-2 TYPE #2**  
USED WITH CONNECTORS:

FBR, FDR



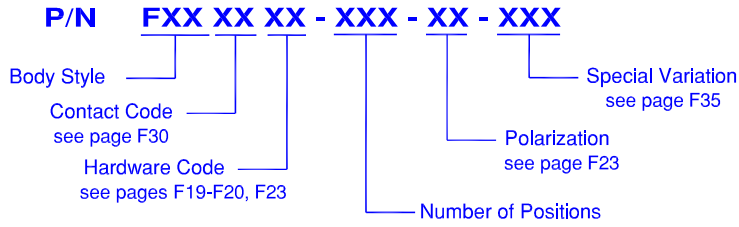
**R1154-45-3 TYPE #3**  
USED WITH 90 POSITION  
CONNECTORS



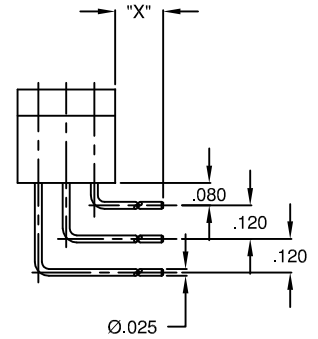
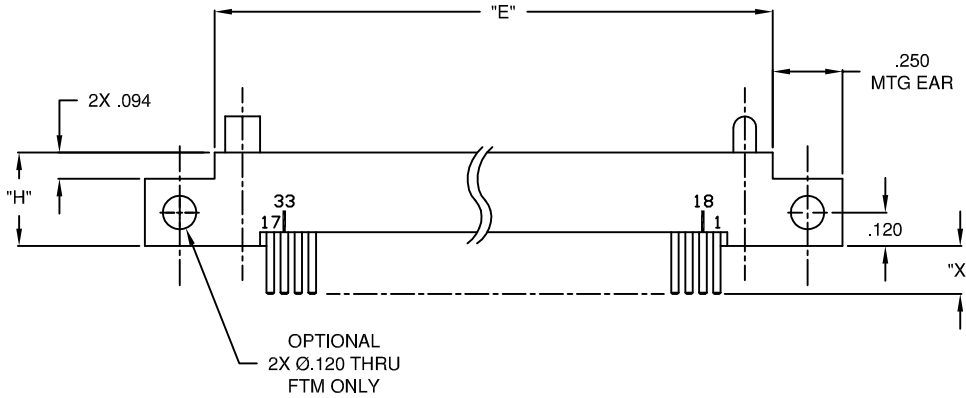
Dimensions				
Part No.	No. of Cnt's	"X"	"Y"	Part No.
R1154-10-1	10	.400	.603	R1154-10-2
R1154-14-1	14	.600	.803	R1154-14-2
R1154-20-1	20	.900	1.103	R1154-20-2
R1154-24-1	24	1.100	1.303	R1154-24-2
R1154-26-1	26	1.200	1.403	R1154-26-2
R1154-30-1	30	1.400	1.603	R1154-30-2
R1154-36-1	36	1.700	1.903	R1154-36-2
R1154-40-1	40	1.900	2.103	R1154-40-2
R1154-44-1	44	2.100	2.303	R1154-44-2
R1154-50-1	50	2.400	2.603	R1154-50-2
R1154-54-1	54	2.600	2.803	R1154-54-2
R1154-56-1	56	2.700	2.903	R1154-56-2
R1154-60-1	60	2.900	3.103	R1154-60-2
R1154-66-1	66	3.200	3.403	R1154-66-2
R1154-70-1	70	3.400	3.603	R1154-70-2

**\*GASKET MATERIAL:**  
SILICONE RUBBER PER A-A-59588,  
NATURAL, CLASS 1B, GRADE 50.\*

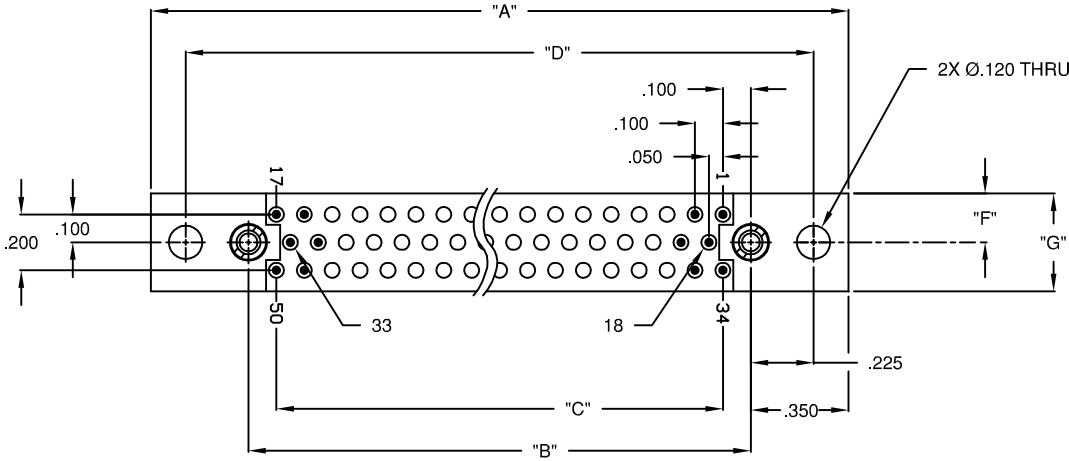
# .100 SERIES 3 ROW STRAIGHT PLUG or RECEPTACLE AND RIGHT ANGLE RECEPTACLE



Dimensions								
No. of Cnt's	"A"	"B"	"C"	"D"	"E"	"F"	"G"	"H"
50	2.500	1.800	1.600	2.250	2.000	.175	.350	.335
62	2.900	2.200	2.000	2.650	2.400	"	"	"
80	3.500	2.800	2.600	3.250	3.000	"	"	"
92	3.900	3.200	3.000	3.650	3.400	"	"	"
104	4.300	3.600	3.400	4.050	3.800	"	"	"
122	4.900	4.200	4.000	4.650	4.400	.200	.400	.375



FTMR & FTNR



PLUG

FMR - AS SHOWN **WITH** MTG EARS  
FMR - **WITHOUT** MTG EARS (VARIATION 55)

RECEPTACLE

FMR - AS SHOWN **WITH** MTG EARS  
FMR - **WITHOUT** MTG EARS (VARIATION 55)  
FTMR - AS SHOWN **WITH** MTG EARS  
FTNR - **WITHOUT** MTG EARS

MATING CONNECTORS:

FMR

FLR, FMR

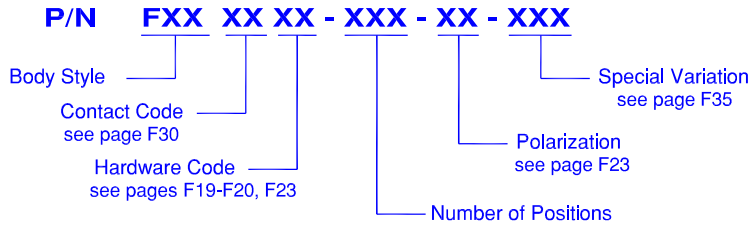
Notes:

\*For 122 pin count FMR series connectors, add a "3" before both the contact and hardware codes. Example: FMR355307-122

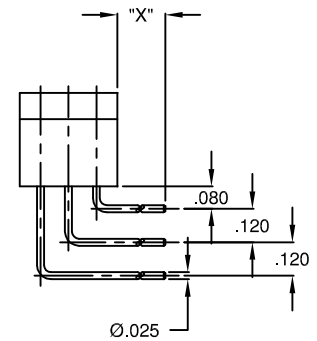
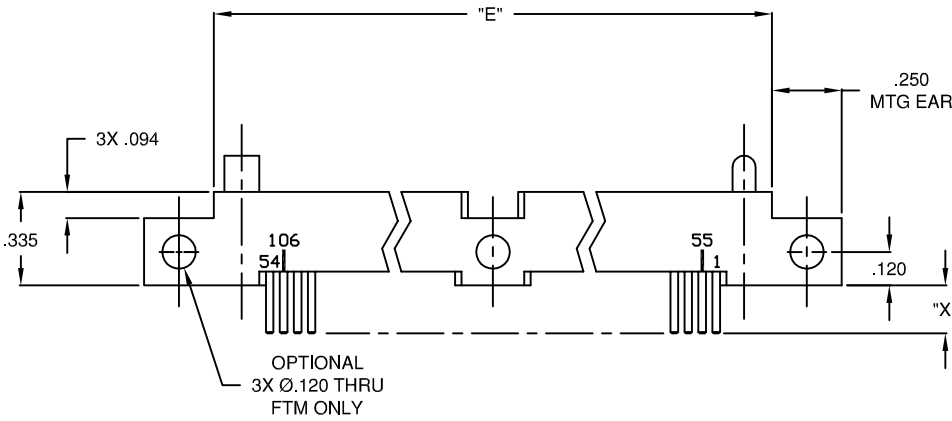
\*Receptacle Image Pin Marking Shown\*

# .100 SERIES 3 ROW STRAIGHT PLUG or RECEPTACLE AND RIGHT ANGLE RECEPTACLE

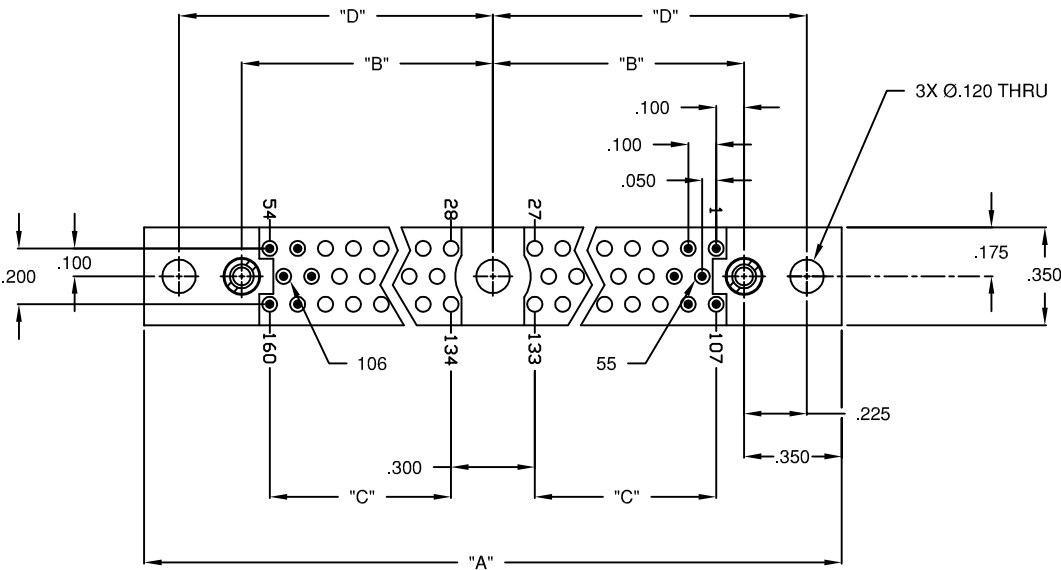
FMR | M55302 / 139



Dimensions					
No. of Cnt's	"A"	"B"	"C"	"D"	"E"
160	6.400	2.850	2.600	3.075	5.900
208	8.000	3.650	3.400	3.875	7.500



FTM & FTN



PLUG

FMR - AS SHOWN WITH MTG EARS  
 FMR - WITHOUT MTG EARS (VARIATION 55)

RECEPTACLE

FMR - AS SHOWN WITH MTG EARS  
 FMR - WITHOUT MTG EARS (VARIATION 55)  
 FTM - AS SHOWN WITH MTG EARS  
 FTN - WITHOUT MTG EARS

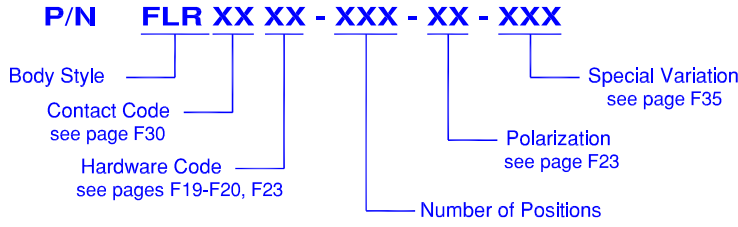
MATING CONNECTORS:

FMR

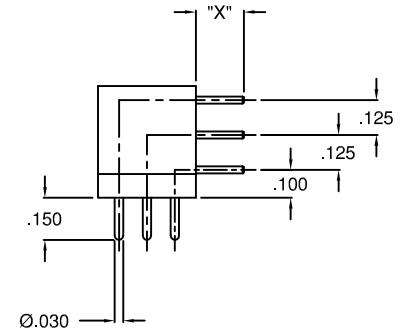
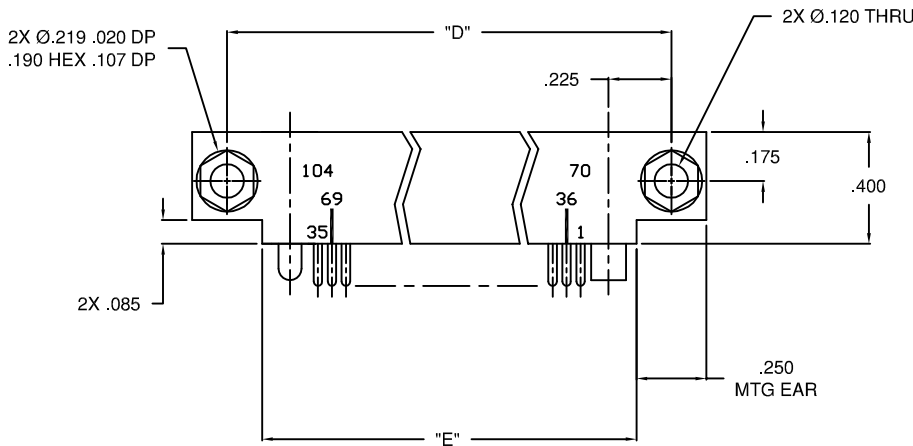
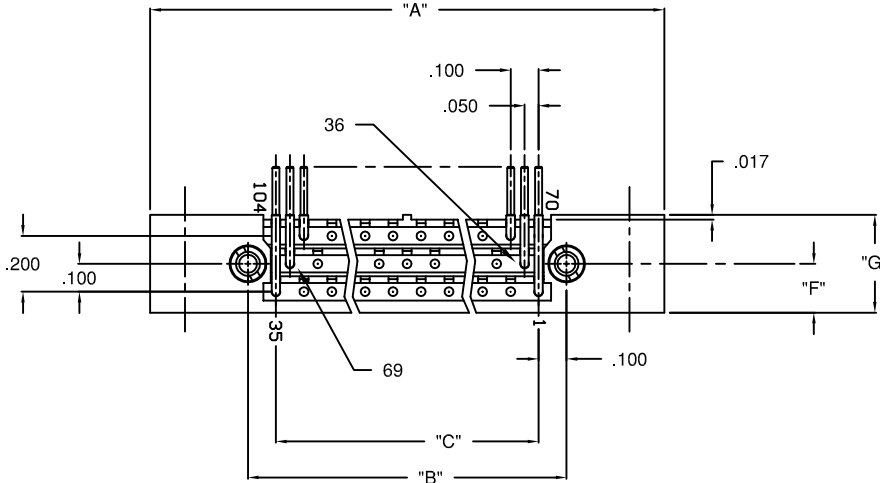
FLR, FMR

\*Receptacle Image Pin Marking Shown\*

# .100 SERIES 3 ROW RIGHT ANGLE PLUG



No. of Cnt's	Dimensions						
	"A"	"B"	"C"	"D"	"E"	"F"	"G"
50	2.500	1.800	1.600	2.250	2.000	.175	.350
62	2.900	2.200	2.000	2.650	2.400	"	"
80	3.500	2.800	2.600	3.250	3.000	"	"
92	3.900	3.200	3.000	3.650	3.400	"	"
104	4.300	3.600	3.400	4.050	3.800	"	"
122	4.900	4.200	4.000	4.650	4.400	.200	.400



FLR - AS SHOWN WITH MTG EARS  
 FLR - WITHOUT MTG EARS (VARIATION 55)

MATING CONNECTORS:

FMR, FTM, FTN

**Notes:**

\*For 122 pin count FLR series connectors, add a "3" before both the contact and hardware codes. Example: FLR307325-122

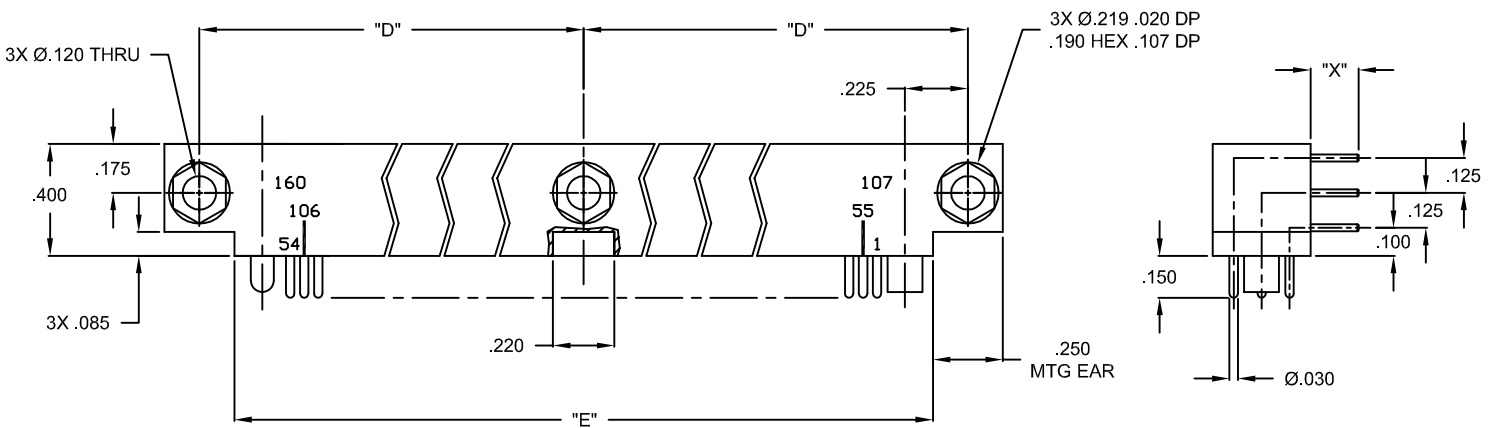
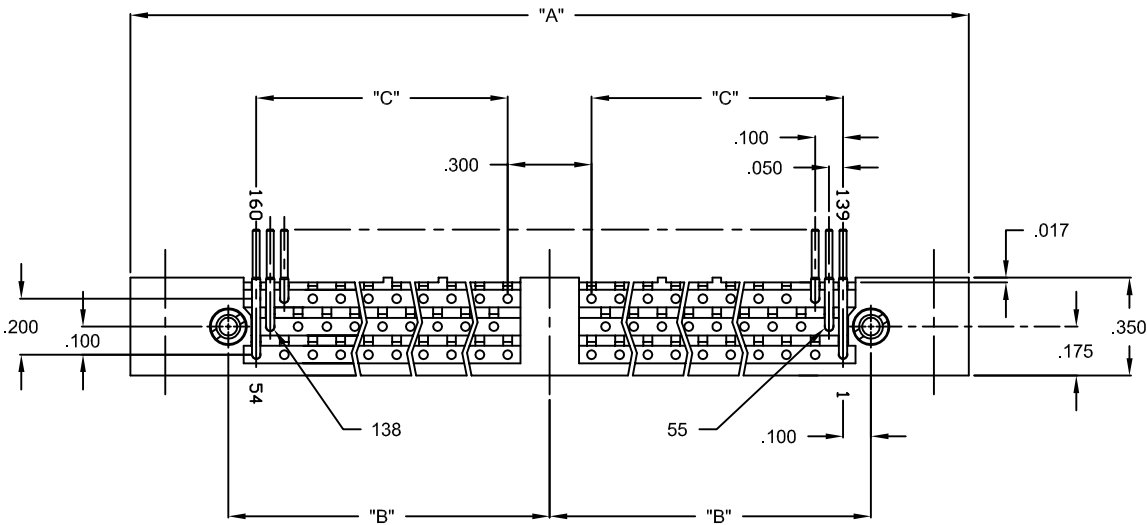
# .100 SERIES 3 ROW RIGHT ANGLE PLUG

M55302 / 138 Plug

Dimensions					
No. of Cnt's	"A"	"B"	"C"	"D"	"E"
160	6.400	2.850	2.600	3.075	5.900
208	8.000	3.650	3.400	3.875	7.500

**P/N** FLR XX XX - XXX - XX - XXX

Body Style ————  
 Contact Code ———— see page F30  
 Hardware Code ———— see pages F19-F20, F23  
 Special Variation ———— see page F35  
 Polarization ———— see page F23  
 Number of Positions ————



MATING CONNECTORS:

FLR - AS SHOWN **WITH** MTG EARS  
 FLR - **WITHOUT** MTG EARS (VARIATION 55)

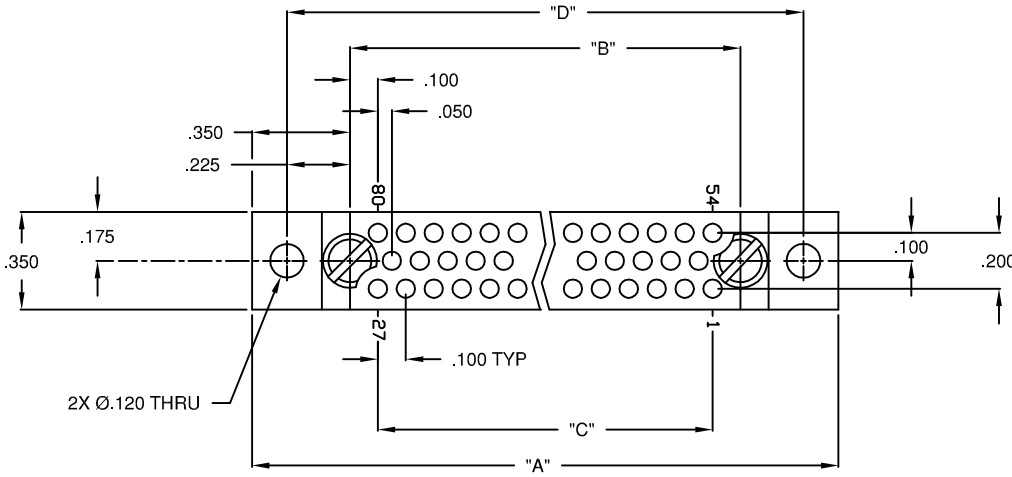
FMR, FTM, FTN

# .100 SERIES 3 ROW PLUG or RECEPTACLE CRIMP REMOVABLE

Dimensions					
No. of Cnt's	"A"	"B"	"C"	"D"	"E"
50	2.500	1.800	1.600	2.250	2.000
62	2.900	2.200	2.000	2.650	2.400
80	3.500	2.800	2.600	3.250	3.000
92	3.900	3.200	3.000	3.650	3.400
104	4.300	3.600	3.400	4.050	3.800

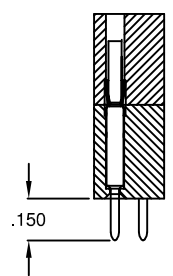
**P/N FXXX - XXX XX - XXX - XX**

Body Style ————  
 Contact Code ———— see below  
 Number of Contact Positions ————  
 Polarization ———— see page F23  
 Special Variation ———— see page F35  
 Hardware Code ———— see pages F22 & F23

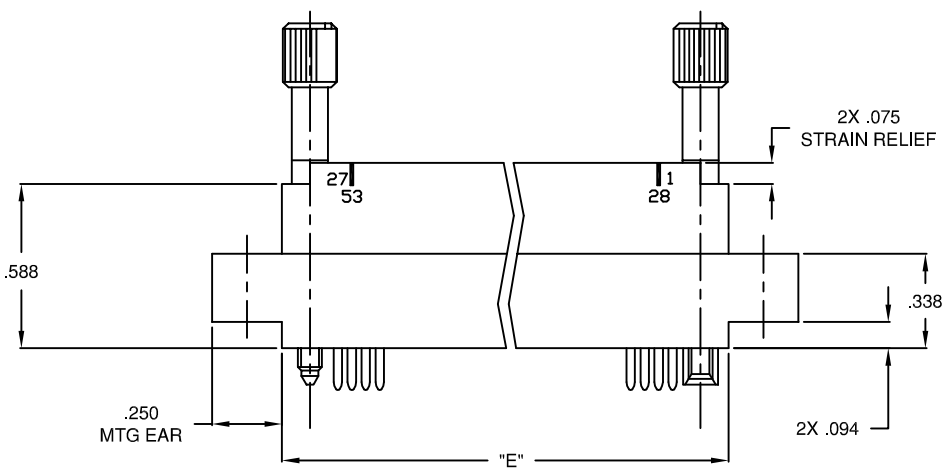
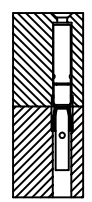


### CONTACT CODES:

**P**  
PIN CONTACT



**S**  
SOCKET CONTACT  
[M55302 / 65-02](#)



### MATING CONNECTORS:

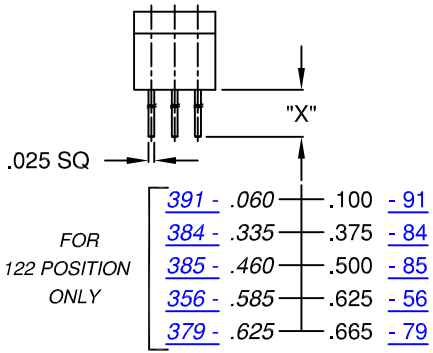
FLR, FMR

- FKM - AS SHOWN **WITH** STRAIN RELIEF & **WITH** MTG EARS
- FKN - **WITH** STRAIN RELIEF & **WITHOUT** MTG EARS
- FKC - **WITHOUT** STRAIN RELIEF & **WITH** MTG EARS
- FKX - **WITHOUT** STRAIN RELIEF & **WITHOUT** MTG EARS
- FKI - AS SHOWN **WITH** STRAIN RELIEF & **WITH** MTG EARS (RECESSED HARDWARE)
- FKK - **WITH** STRAIN RELIEF & **WITHOUT** MTG EARS (RECESSED HARDWARE)
- FKO - **WITHOUT** STRAIN RELIEF & **WITH** MTG EARS (RECESSED HARDWARE)
- FKQ - **WITHOUT** STRAIN RELIEF & **WITHOUT** MTG EARS (RECESSED HARDWARE)

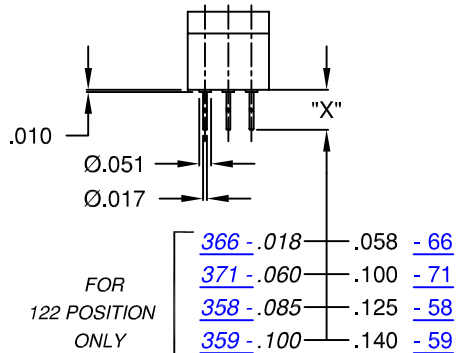
\*Call for Crimp Tooling/Accessories  
 \*Plug Image Pin Marking Shown\*

# .100 SERIES 3 ROW CONTACT CODES

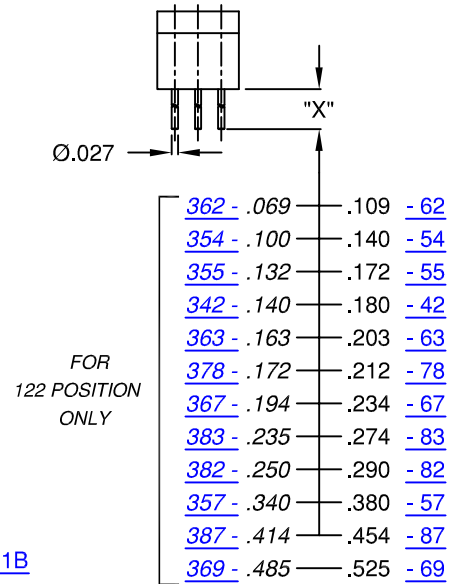
## RECEPTACLE



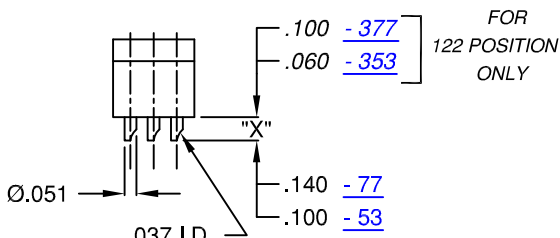
WIRE WRAP



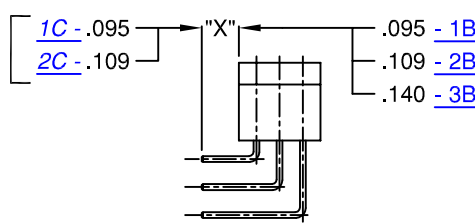
FLEX TERMINATION



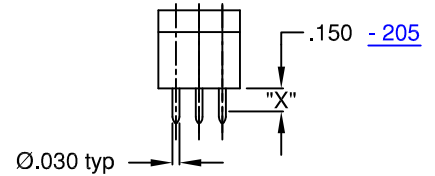
SOLDER DIP



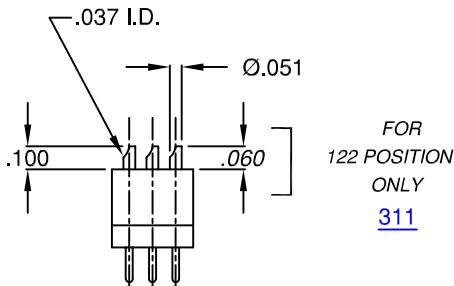
SOLDER CUP



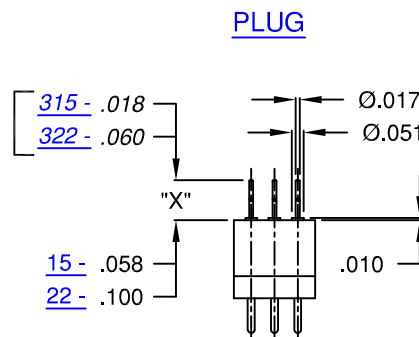
RT ANGLE RECEPTACLE SOLDER DIP



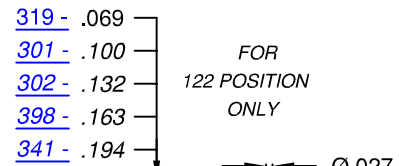
PLUG TERMINATION CONNECTOR SAVER



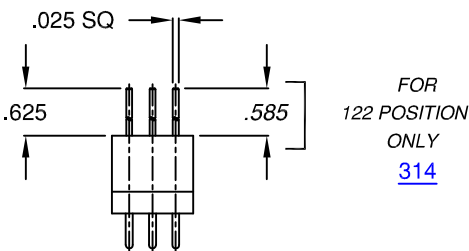
[11](#)  
SOLDER CUP



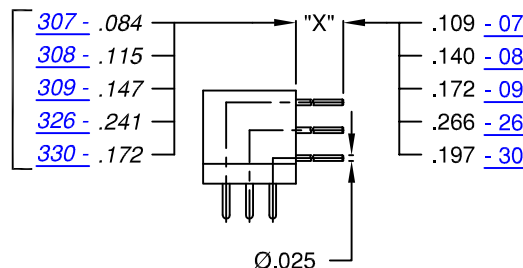
FLEX TERMINATION



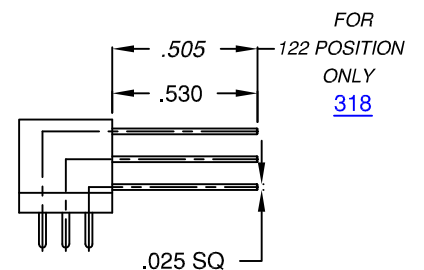
[19](#) .109  
[01](#) .140  
[02](#) .172  
[98](#) .203  
[41](#) .234  
SOLDER DIP



[14](#)  
WIRE WRAP

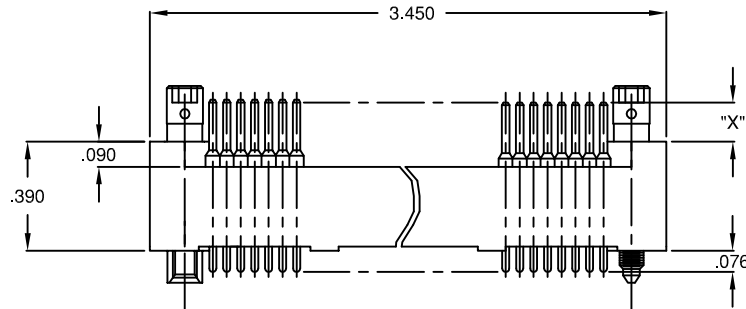
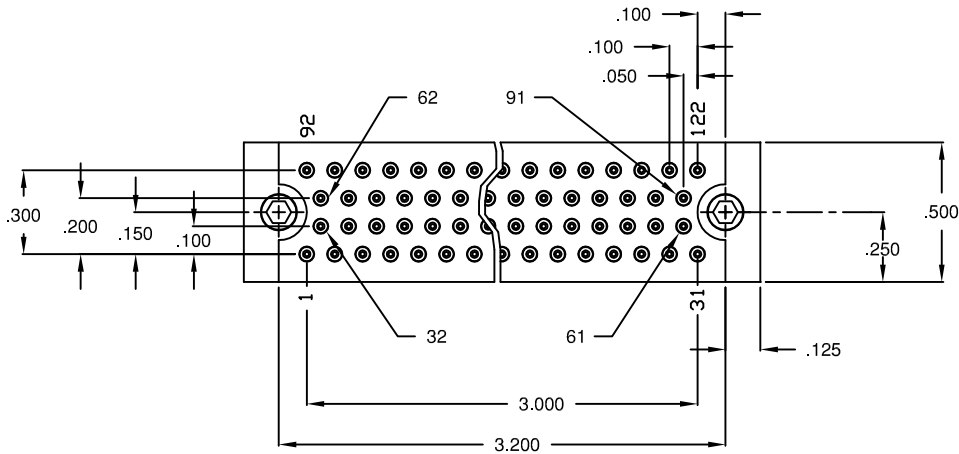
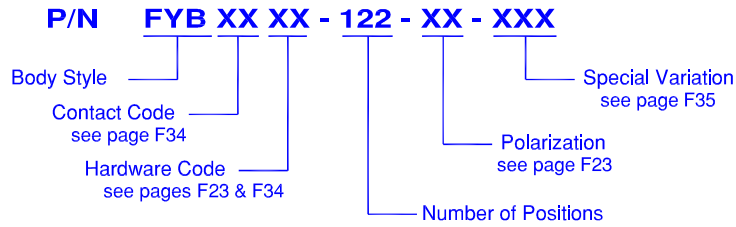


RT ANGLE SOLDER DIP



[18](#)  
RT ANGLE WIRE WRAP

# .100 SERIES 4 ROW STRAIGHT PLUG

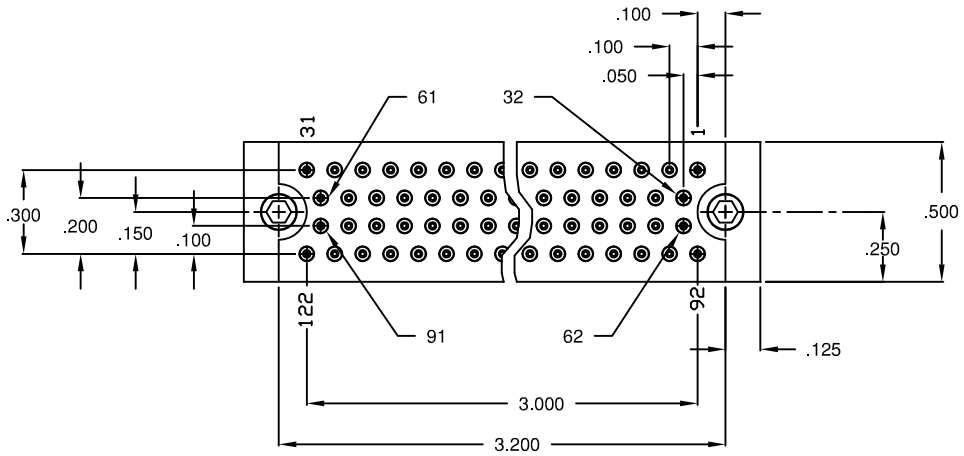
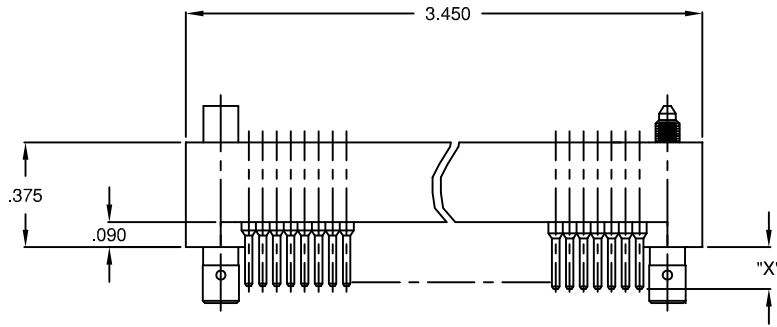
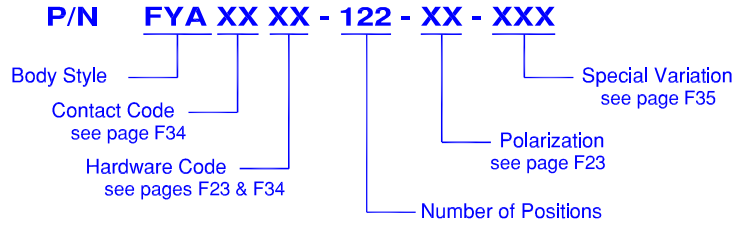


MATING CONNECTORS:

FYB - AS SHOWN

FYA

# .100 SERIES 4 ROW STRAIGHT PLUG OR RECEPTACLE



MATING CONNECTORS:

RECEPTACLE

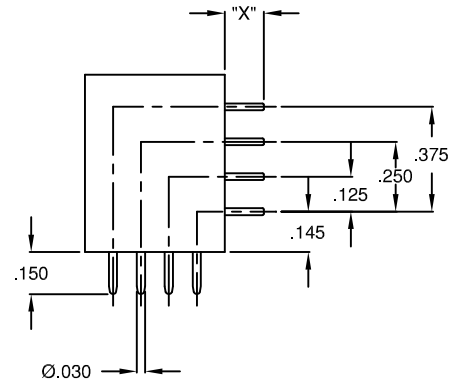
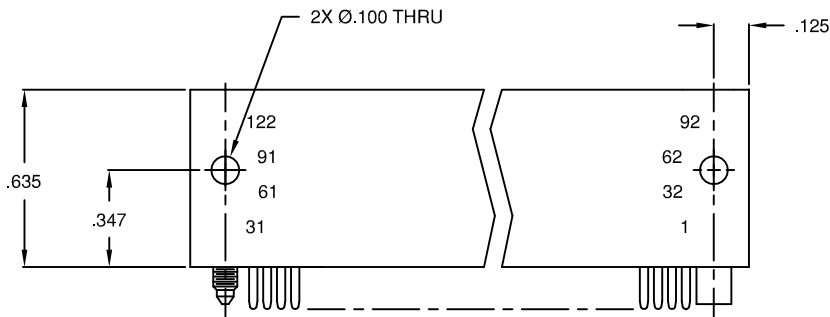
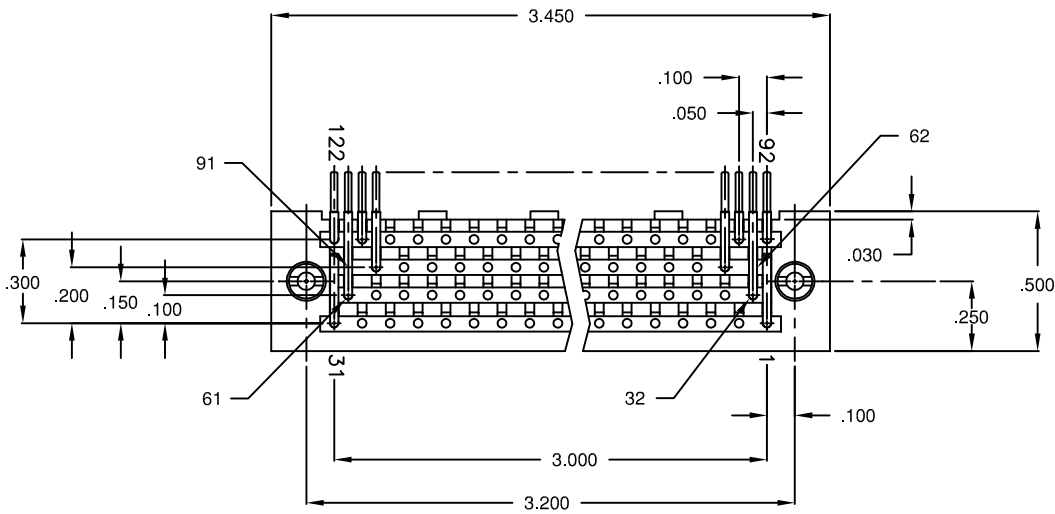
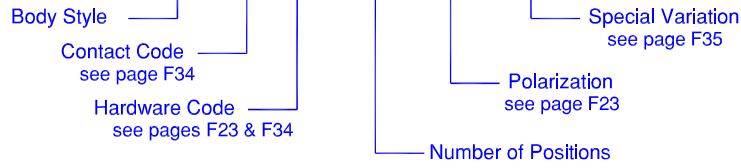
FYA - AS SHOWN

FWA, FYB

\*Receptacle Image Pin Marking Shown\*

# .100 SERIES 4 ROW RIGHT ANGLE PLUG

**P/N FWA XX XX - 122 - XX - XXX**



MATING CONNECTORS:

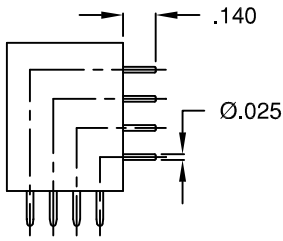
FWA - AS SHOWN

FYA

## .100 SERIES 4 ROW CONTACT CODES

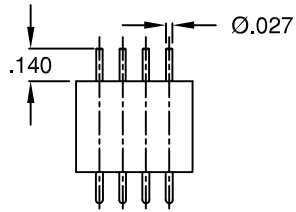
### PLUG

### RECEPTACLE



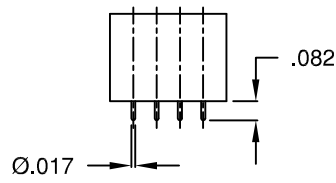
08

RT ANGLE  
SOLDER DIP



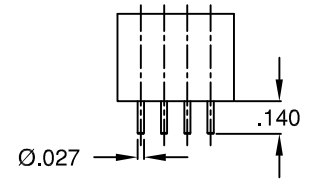
42

SOLDER DIP



58

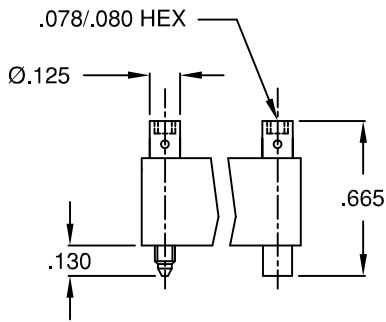
FLEX TERMINATION



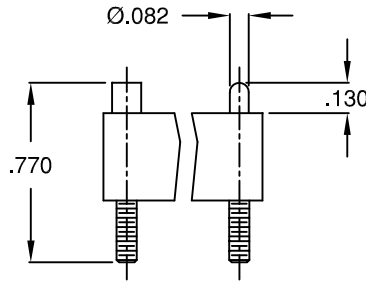
88

SOLDER DIP

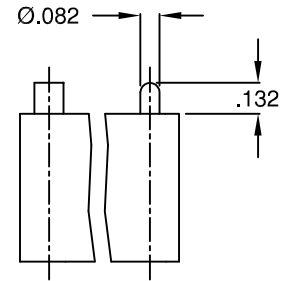
## .100 SERIES 4 ROW HARDWARE CODES



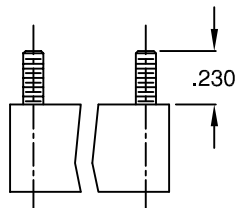
25 - HEX TURNING  
JACKSET



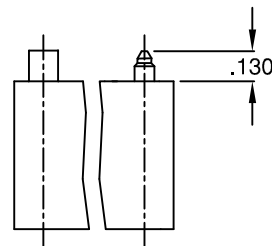
59 - LONG GUIDE SET



62 - GUIDE SET



60 - SPECIAL JACKSCREWS



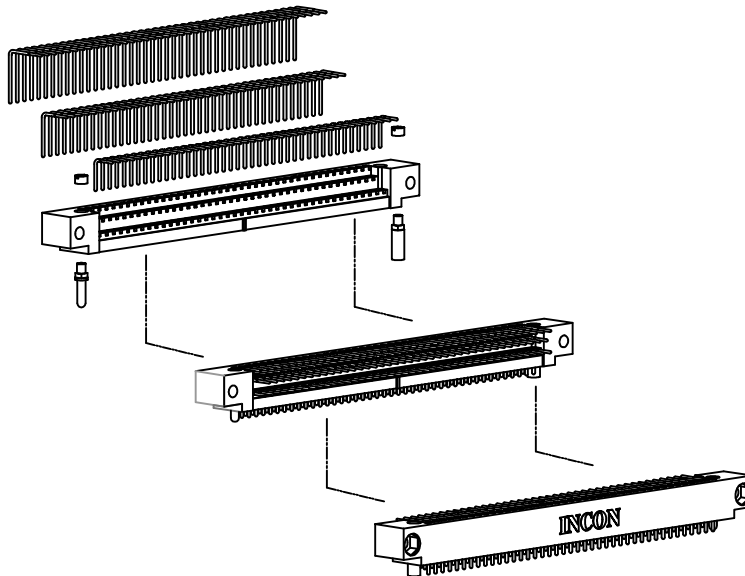
61 - FIXED JACKSET

# Variations

"F" Series .100"  $\phi$

Variation	Description
000	No Variation
42	Epoxy Hex Nuts
190	Sealback
197	Reverse Marking
233	Bag Hardware
281	Solder Dip Terminations
328	Sealback and Solder Dip Terminations
504	Reverse Marking and Solder Dip Terminations
618	Bag Hardware and Solder Dip Terminations

*\*\*Consult Factory for Special Variations\*\**



# MIL-DTL-55302 Cross Reference

**M55302/55**

MILITARY P/N	INCON P/N
M55302/55LA**H	FAR5325-**
M55302/55LA**L	FAR5331-**
M55302/55LA**M	FAR5319-**
M55302/55LA**S	FAR5315-**
M55302/55LB**H	FAR5425-**
M55302/55LB**L	FAR5431-**
M55302/55LB**M	FAR5419-**
M55302/55LB**S	FAR5415-**
M55302/55LC**H	FAR5525-**
M55302/55LC**L	FAR5531-**
M55302/55LC**M	FAR5519-**
M55302/55LC**S	FAR5515-**
M55302/55LD**H	FAR6625-**
M55302/55LD**L	FAR6631-**
M55302/55LD**M	FAR6619-**
M55302/55LD**S	FAR6615-**
M55302/55LE**H	FAR6725-**
M55302/55LE**L	FAR6731-**
M55302/55LE**M	FAR6719-**
M55302/55LE**S	FAR6715-**
M55302/55LF**H	FAR7125-**
M55302/55LF**L	FAR7131-**
M55302/55LF**M	FAR7119-**
M55302/55LF**S	FAR7115-**

**M55302/56**

MILITARY P/N	INCON P/N
M55302/56A**	FBR1111-**
M55302/56B**	FBR0111-**
M55302/56C**	FBR0211-**
M55302/56D**	FBR1411-**
M55302/56E**	FBR1511-**
M55302/56F**	FBR2211-**

**M55302/57**

MILITARY P/N	INCON P/N
M55302/57A**H	FCR0725-**
M55302/57A**S	FCR0715-**
M55302/57A**X	FCR0701-**
M55302/57A**Y	FCR0733-**-01
M55302/57A**Y(-**)	FCR0733-**-**
M55302/57B**H	FCR0825-**
M55302/57B**S	FCR0815-**
M55302/57B**X	FCR0801-**
M55302/57B**Y	FCR0833-**-01
M55302/57B**Y(-**)	FCR0833-**-**
M55302/57C**H	FCR0925-**
M55302/57C**S	FCR0915-**
M55302/57C**X	FCR0901-**
M55302/57C**Y	FCR0933-**-01
M55302/57C**Y(-**)	FCR0933-**-**

**M55302/58**

MILITARY P/N	INCON P/N
M55302/58LA**X	FDR5301-**
M55302/58LA**Y	FDR5333-**-01
M55302/58LA**Y(-**)	FDR5333-**-**
M55302/58LA**F	FDR5307-**
M55302/58LA**S	FDR5315-**
M55302/58LA**H	FDR5325-**
M55302/58LB**X	FDR5401-**
M55302/58LB**Y	FDR5433-**-01
M55302/58LB**Y(-**)	FDR5433-**-**
M55302/58LB**F	FDR5407-**
M55302/58LB**S	FDR5415-**
M55302/58LB**H	FDR5425-**
M55302/58LC**X	FDR5501-**
M55302/58LC**Y	FDR5533-**-01
M55302/58LC**Y(-**)	FDR5533-**-**
M55302/58LC**F	FDR5507-**
M55302/58LC**S	FDR5515-**
M55302/58LC**H	FDR5525-**
M55302/58LD**X	FDR5601-**
M55302/58LD**Y	FDR5633-**-01
M55302/58LD**Y(-**)	FDR5633-**-**
M55302/58LD**F	FDR5607-**
M55302/58LD**S	FDR5615-**
M55302/58LD**H	FDR5625-**
M55302/58LE**X	FDR6601-**
M55302/58LE**Y	FDR6633-**-01
M55302/58LE**Y(-**)	FDR6633-**-**
M55302/58LE**F	FDR6607-**
M55302/58LE**S	FDR6615-**
M55302/58LE**H	FDR6625-**
M55302/58LF**X	FDR6701-**
M55302/58LF**Y	FDR6733-**-01
M55302/58LD**Y(-**)	FDR6733-**-**
M55302/58LF**F	FDR6707-**
M55302/58LF**S	FDR6715-**
M55302/58LF**H	FDR6725-**
M55302/58LH**X	FDR7101-**
M55302/58LH**Y	FDR7133-**-01
M55302/58LH**Y(-**)	FDR7133-**-**
M55302/58LH**F	FDR7107-**
M55302/58LH**S	FDR7115-**
M55302/58LH**H	FDR7125-**

**M55302/59**

MILITARY P/N	INCON P/N
M55302/59A**X	FCR0701-***
M55302/59A**Y	FCR0733-***-01
M55302/59A**Y(-**)	FCR0733-***-**
M55302/59A**F	FCR0707-***
M55302/59A**S	FCR0715-***
M55302/59A**H	FCR0725-***
M55302/59B**X	FCR0801-***
M55302/59B**Y	FCR0833-***-01
M55302/59B**Y(-**)	FCR0833-***-**

**M55302/59 continued**

MILITARY P/N	INCON P/N
M55302/59B**F	FCR0807-***
M55302/59B**S	FCR0815-***
M55302/59B**H	FCR0825-***
M55302/59C**X	FCR0901-***
M55302/59C**Y	FCR0933-***-01
M55302/59C**Y(-**)	FCR0933-***-**
M55302/59C**F	FCR0907-***
M55302/59C**S	FCR0915-***
M55302/59C**H	FCR0925-***

**M55302/60**

MILITARY P/N	INCON P/N
M55302/60LA**X	FDR5301-***
M55302/60LA**Y	FDR5333-***-01
M55302/60LA**Y(-**)	FDR5333-***-**
M55302/60LA**F	FDR5307-***
M55302/60LA**S	FDR5315-***
M55302/60LA**H	FDR5325-***
M55302/60LB**X	FDR5401-***
M55302/60LB**Y	FDR5433-***-01
M55302/60LB**Y(-**)	FDR5433-***-**
M55302/60LB**F	FDR5407-***
M55302/60LB**S	FDR5415-***
M55302/60LB**H	FDR5425-***
M55302/60LC**X	FDR5501-***
M55302/60LC**Y	FDR5533-***-01
M55302/60LC**Y(-**)	FDR5533-***-**
M55302/60LC**F	FDR5507-***
M55302/60LC**S	FDR5515-***
M55302/60LC**H	FDR5525-***
M55302/60LD**X	FDR5601-***
M55302/60LD**Y	FDR5633-***-01
M55302/60LD**Y(-**)	FDR5633-***-**
M55302/60LD**F	FDR5607-***
M55302/60LD**S	FDR5615-***
M55302/60LD**H	FDR5625-***
M55302/60LE**X	FDR6701-***
M55302/60LE**Y	FDR6733-***-01
M55302/60LE**Y(-**)	FDR6733-***-**
M55302/60LE**F	FDR6707-***
M55302/60LE**S	FDR6715-***
M55302/60LE**H	FDR6725-***

**M55302/61**

MILITARY P/N	INCON P/N
M55302/61A**	FCR0707-***
M55302/61B**	FCR0807-***
M55302/61C**	FCR0907-***

NOTES: (\*\*) INDICATES THE POLARIZATION FROM 00 THROUGH 64

\*\* INDICATES NUMBER OF POSITIONS

# MIL-DTL-55302 Cross Reference

**M55302/62**

MILITARY P/N	INCON P/N
M55302/62LA**L	FBR5331-**
M55302/62LA**M	FBR5319-**
M55302/62LA**S	FBR5315-**
M55302/62LA**H	FBR5325-**
M55302/62LB**L	FBR5431-**
M55302/62LB**M	FBR5419-**
M55302/62LB**S	FBR5415-**
M55302/62LB**H	FBR5425-**
M55302/62LC**L	FBR5531-**
M55302/62LC**M	FBR5519-**
M55302/62LC**S	FBR5515-**
M55302/62LC**H	FBR5525-**
M55302/62LD**L	FBR6631-**
M55302/62LD**M	FBR6619-**
M55302/62LD**S	FBR6615-**
M55302/62LD**H	FBR6625-**
M55302/62LE**L	FBR6731-**
M55302/62LE**M	FBR6719-**
M55302/62LE**S	FBR6715-**
M55302/62LE**H	FBR6725-**
M55302/62LF**L	FBR7131-**
M55302/62LF**M	FBR7119-**
M55302/62LF**S	FBR7115-**
M55302/62LF**H	FBR7125-**

**M55302/64**

MILITARY P/N	INCON P/N
M55302/64LA**F	FBR5311-**
M55302/64LA**X	FBR5304-**
M55302/64LA**Y	FBR5334**-01
M55302/64LA**Y(-**)	FBR5334**-**
M55302/64LB**F	FBR5411-**
M55302/64LB**X	FBR5404-**
M55302/64LB**Y	FBR5434**-01
M55302/64LB**Y(-**)	FBR5434**-**
M55302/64LC**F	FBR5511-**
M55302/64LC**X	FBR5504-**
M55302/64LC**Y	FBR5534**-01
M55302/64LC**Y(-**)	FBR5534**-**
M55302/64LD**F	FBR5611-**
M55302/64LD**X	FBR5604-**
M55302/64LD**Y	FBR5634**-01
M55302/64LD**Y(-**)	FBR5634**-**
M55302/64LE**F	FBR5611-**
M55302/64LE**X	FBR6604-**
M55302/64LE**Y	FBR6634**-01
M55302/64LE**Y(-**)	FBR6634**-**
M55302/64LF**F	FBR7111-**
M55302/64LF**X	FBR7104-**
M55302/64LF**Y	FBR7134**-01
M55302/64LF**Y(-**)	FBR7134**-**

**M55302/138**

MILITARY P/N	INCON P/N
M55302/138A160X	FLR0701-160
M55302/138A160Y	FLR0733-160-01
M55302/138A160Y(-**)	FLR0733-160-**
M55302/138A160F	FLR0707-160
M55302/138A160S	FLR0715-160
M55302/138A160H	FLR0725-160
M55302/138B160X	FLR0801-160
M55302/138B160Y	FLR0833-160-01
M55302/138B160Y(-**)	FLR0833-160-**
M55302/138B160F	FLR0807-160
M55302/138B160S	FLR0815-160
M55302/138B160H	FLR0825-160
M55302/138C160X	FLR0901-160
M55302/138C160Y	FLR0933-160-01
M55302/138C160Y(-**)	FLR0933-160-**
M55302/138C160F	FLR0907-160
M55302/138C160S	FLR0915-160
M55302/138C160H	FLR0925-160

**M55302/63**

MILITARY P/N	INCON P/N
M55302/63A**L	FAR1131-**
M55302/63A**M	FAR1119-**
M55302/63A**S	FAR1115-**
M55302/63A**F	FAR1111-**
M55302/63A**H	FAR1125-**
M55302/63A**X	FAR1104-**
M55302/63A**Y	FAR1134**-01
M55302/63A**Y(-**)	FAR1134**-**
M55302/63B**L	FAR0131-**
M55302/63B**M	FAR0119-**
M55302/63B**S	FAR0115-**
M55302/63B**F	FAR0111-**
M55302/63B**H	FAR0125-**
M55302/63B**X	FAR0104-**
M55302/63B**Y	FAR0134**-01
M55302/63B**Y(-**)	FAR0134**-**
M55302/63C**L	FAR0231-**
M55302/63C**M	FAR0219-**
M55302/63C**S	FAR0215-**
M55302/63C**F	FAR0211-**
M55302/63C**H	FAR0225-**
M55302/63C**X	FAR0204-**
M55302/63C**Y	FAR0234**-01
M55302/63C**Y(-**)	FAR0234**-**
M55302/63D**L	FAR1531-**
M55302/63D**M	FAR1519-**
M55302/63D**S	FAR1515-**
M55302/63D**F	FAR1511-**
M55302/63D**H	FAR1525-**
M55302/63D**X	FAR1504-**
M55302/63D**Y	FAR1534**-01
M55302/63D**Y(-**)	FAR1534**-**
M55302/63E**L	FAR2231-**
M55302/63E**M	FAR2219-**
M55302/63E**S	FAR2215-**
M55302/63E**F	FAR2211-**
M55302/63E**H	FAR2225-**
M55302/63E**X	FAR2204-**
M55302/63E**Y	FAR2234**-01
M55302/63E**Y(-**)	FAR2234**-**

**M55302/65**

MILITARY P/N	INCON P/N
M55302/65L**X	FKDRS-**G
M55302/65L**Y	FKDRS-**PG-01
M55302/65L**Y(-**)	FKDRS-**PG
M55302/65L**F	FKDRS-**F
M55302/65L**S	FKDRS-**S
M55302/65L**H	FKDRS-**SH

**M55302/66**

MILITARY P/N	INCON P/N
M55302/66L**L	FKBRS-**L
M55302/66L**M	FKBRS-**M
M55302/66L**F	FKBRS-**F
M55302/66L**S	FKBRS-**S
M55302/66L**H	FKBRS-**SH

**M55302/139**

MILITARY P/N	INCON P/N
M55302/139A160X	FMR5301-160
M55302/139A160Y	FMR5333-160-01
M55302/139A160Y(-**)	FMR5333-160-**
M55302/139A160F	FMR5307-160
M55302/139A160S	FMR5315-160
M55302/139A160H	FMR5325-160
M55302/139B160X	FMR6201-160
M55302/139B160Y	FMR6233-160-01
M55302/139B160Y(-**)	FMR6233-160-**
M55302/139B160F	FMR6207-160
M55302/139B160S	FMR6215-160
M55302/139B160H	FMR6225-160
M55302/139C160X	FMR5401-160
M55302/139C160Y	FMR5433-160-01
M55302/139C160Y(-**)	FMR5433-160-**
M55302/139C160F	FMR5407-160
M55302/139C160S	FMR5415-160
M55302/139C160H	FMR5425-160
M55302/139D160X	FMR5601-160
M55302/139D160Y	FMR5633-160-01
M55302/139D160Y(-**)	FMR5633-160-**
M55302/139D160F	FMR5607-160
M55302/139D160S	FMR5615-160
M55302/139D160H	FMR5625-160
M55302/139E160X	FMR5501-160
M55302/139E160Y	FMR5533-160-01
M55302/139E160Y(-**)	FMR5533-160-**
M55302/139E160F	FMR5507-160
M55302/139E160S	FMR5515-160
M55302/139E160H	FMR5525-160
M55302/139F160X	FMR6601-160
M55302/139F160Y	FMR6633-160-01
M55302/139F160Y(-**)	FMR6633-160-**
M55302/139F160F	FMR6607-160
M55302/139F160S	FMR6615-160
M55302/139F160H	FMR6625-160
M55302/139H160X	FMR7101-160
M55302/139H160Y	FMR7133-160-01
M55302/139H160Y(-**)	FMR7133-160-**
M55302/139H160F	FMR7107-160
M55302/139H160S	FMR7115-160
M55302/139H160H	FMR7125-160

NOTES: (\*\*) INDICATES THE POLARIZATION FROM 00 THROUGH 64  
 \*\* INDICATES NUMBER OF POSITIONS