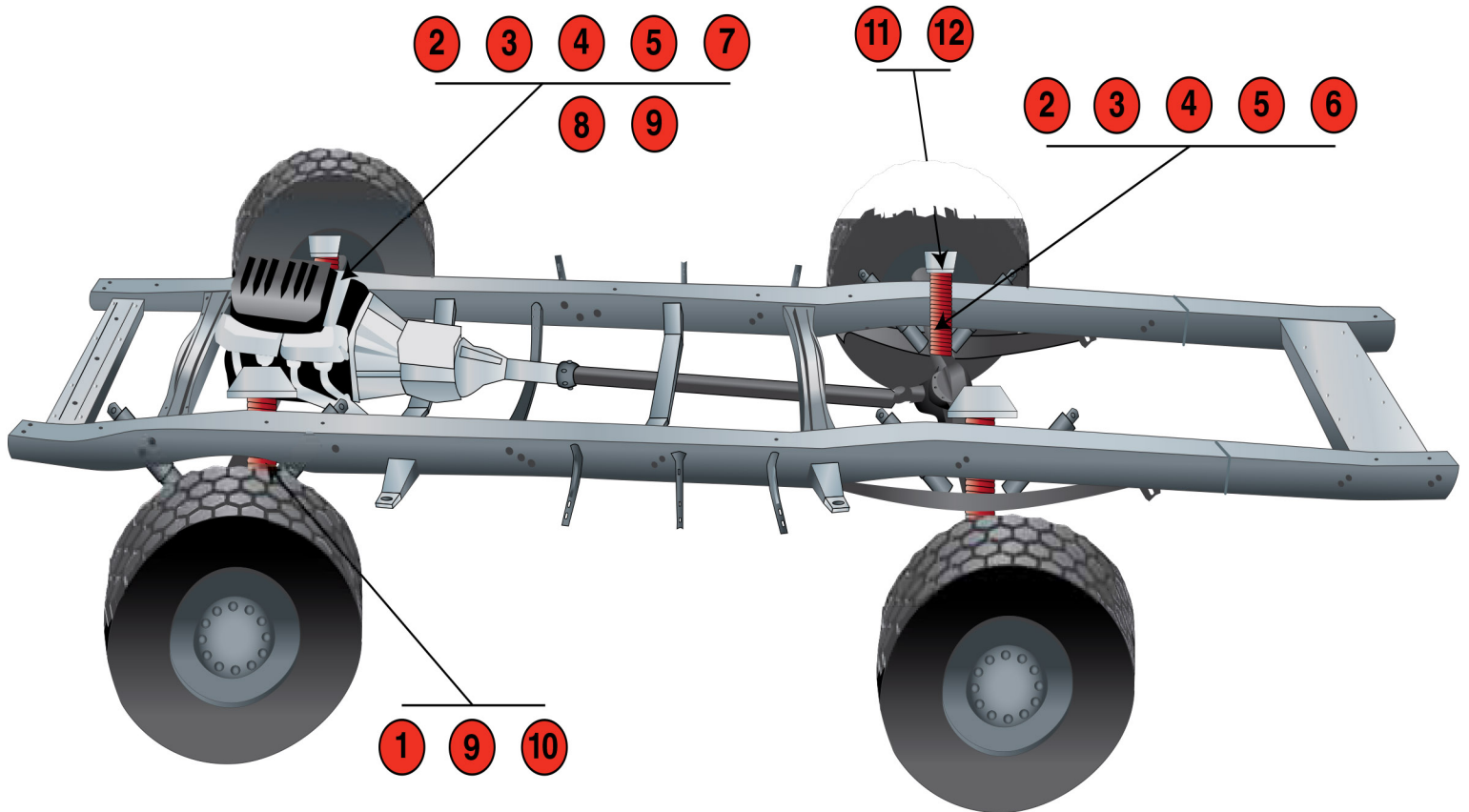


## Work Smarter with Honeywell Sensors and Switches



**1 SMART position sensor**  
(Stability/suspension position sensing)  
SPS Series

**2 Speed sensor**  
(Wheel speed/ABS sensing and engine RPM sensing)  
GT Series

**3 Speed sensor**  
(Wheel speed/ABS sensing and engine RPM sensing)  
GTN Series

**4 Speed sensor**  
(Wheel speed/ABS sensing and engine RPM sensing)  
LCZ Series

**5 Speed sensor**  
(Wheel speed/ABS sensing and engine RPM sensing)  
SNDH Series

**6 Speed sensor**  
(Wheel speed/ABS sensing)  
3000 Series VRS

**7 Temperature sensor**  
(Urea sensing)  
R300 Series  
R300-F35-M14-C

**8 Thermostat**  
(Fire suppression sensing)  
3000 Series

**9 Silicon pressure sensor**  
(Braking system sensing and urea capture system sensing)  
40PC Series  
40PC150G2A

**10 Stainless steel media isolated pressure sensor**  
(Braking system sensing)  
MLH Series, 13mm Series, 19mm Series, SPT Series

**11 Pressure switch**  
(Brake light actuation)  
1000 Series

**12 Pressure switch**  
(Brake system monitoring)  
5000 Series



# Work Smarter with Honeywell Sensors and Switches

## Work smarter with...

Speed, pressure, position, and temperature are fundamental and critical measures on a vehicle chassis. Honeywell S&C sensors and switches handle these, and so much more, with greater efficiency. Reliable, repeatable, and rugged, Honeywell products are cost effective and boast high CTQ performance. Honeywell S&C sensors and switches perform vital functions on a vehicle chassis. Customers look to Honeywell products to provide safety, rugged/reliable performance, and compliance with regulatory agency requirements.

## Compliance with regulatory agency requirements

- Urea sensing with R300 Series temperature sensors
- Urea capture system sensing with 40PC Series silicon pressures sensors

## Rugged and reliable performance

- Wheel speed/ABS sensing with 3000 Series VRS speed sensors
- Wheel speed/ABS/RPM sensing with LCZ Series, GTN Series, GT Series, and SNDH Series speed sensors

## Safety

- Stability and suspension position sensing with SPS Series SMART positions sensors
- Fire suppression sensing with 3000 Series thermostats
- Braking system sensing with MLH Series, 13mm Series, 19mm Series, and SPT Series stainless steel media isolated pressure sensors
- Urea capture system sensing and braking system sensing with 40PC Series silicon pressure sensors
- Brake light actuation achieved with 1000 Series pressure switches
- Brake system performance monitored by 5000 Series pressure switches

While Honeywell provides application assistance personally, through its literature and the Honeywell Web site, it is up to the customer to determine the suitability of the product in the application.

## Find out more

To learn more about Honeywell's sensing and control products, call

**+1-815-235-6847**, email inquiries to

**info.sc@honeywell.com**, or visit

**[www.honeywell.com/sensing](http://www.honeywell.com/sensing)**

## Honeywell Sensing and Control

1985 Douglas Drive North

Golden Valley, MN 55422

[www.honeywell.com](http://www.honeywell.com)

000717-1-EN IL50 GLO

April 2010

© 2010 Honeywell International Inc. All rights reserved.

# Honeywell