

PC Board Sockets

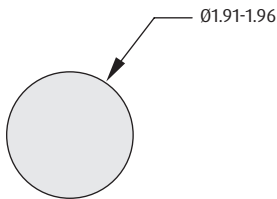
Ø0.80mm Mating Pin

- Compatible with Ø0.80mm mating pins – see table below.
- Knurled option available for added board retention.
- Ident groove in shoulder, to differentiate from Ø1mm mating pin sockets as shown on the next page.
- Construction uses four finger Beryllium Copper contact from M300 range.

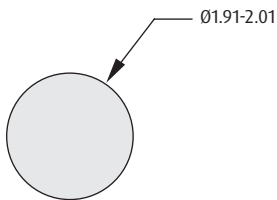


Specifications

Mating pin size: Ø0.60 - 0.85mm
 Contact depth: 3.30mm max
 Pin length: See individual sockets

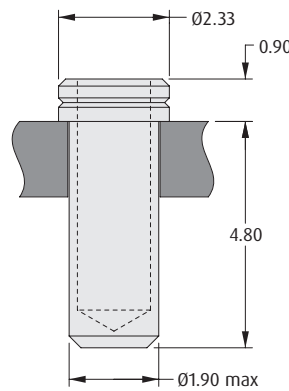


Recommended PC Board Pattern with Retention Knurl



Recommended PC Board Pattern without Retention Knurl

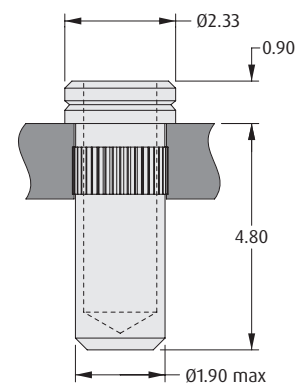
4.8mm BODY LENGTH



ORDER CODE	FINISH
H8504-01	Gold contact, Tin shell
H8504-05	Gold contact, Gold shell

Maximum Pin Length = 4.65mm

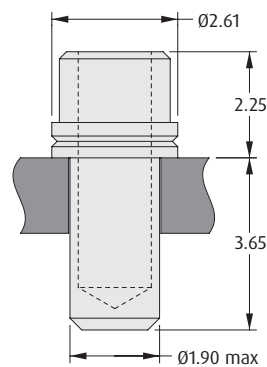
4.8mm BODY, KNURL



ORDER CODE	FINISH
H8501-01	Gold contact, Tin shell
H8501-05	Gold contact, Gold shell

Maximum Pin Length = 4.65mm

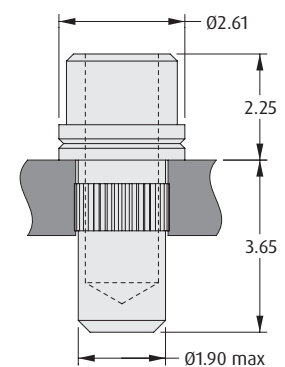
3.65mm BODY LENGTH



ORDER CODE	FINISH
H8505-01	Gold contact, Tin shell
H8505-05	Gold contact, Gold shell

Maximum Pin Length = 4.85mm

3.65mm BODY, KNURL



ORDER CODE	FINISH
H8502-01	Gold contact, Tin shell
H8502-05	Gold contact, Gold shell

Maximum Pin Length = 4.85mm

All dimensions in mm.