

Temperature Compensated Crystal Oscillators (TCXO) Surface Mount Type TCXO KT1612A Series (Low Voltage Drive, With Disable Function)

Find TCXO Here



1.6×1.2mm



Features

- Ultra-miniature SMD type (1.65×1.25×0.55mm)
- With Disable Function
- Freq. temp. characteristics:
: ±2.0×10⁻⁶/ -30 to +85°C
: ±0.5×10⁻⁶/ -30 to +85°C (for GNSS)
- 1.1 to 2.0V drive available
- Reflow compatible

Applications

- Mobile communications, Wireless modules
- GNSS Unit

How to Order

KT1612A 26000 □ □ □ □ N x Y
① ② ③ ④ ⑤ ⑥ ⑦ ⑧ ⑨

①Series

KT1612A 1612 Size

②Output Frequency

③Freq. Temp. Chrst.

A	±0.5×10 ⁻⁶
B	±1.0×10 ⁻⁶
C	±1.5×10 ⁻⁶
D	±2.0×10 ⁻⁶

④Lower Operating Temp.

C	-30°C
E	-20°C
G	-10°C

⑤Upper Operating Temp.

W	+85°C
V	+80°C
U	+75°C

⑥Supply Voltage

12 1.2V

⑦Disable Function

N With Disable Function

⑧Individual Specification

⑨Low Voltage Drive Type

Y Low Voltage Drive

Packaging (Tape & Reel 18000 pcs./ reel)

Specifications

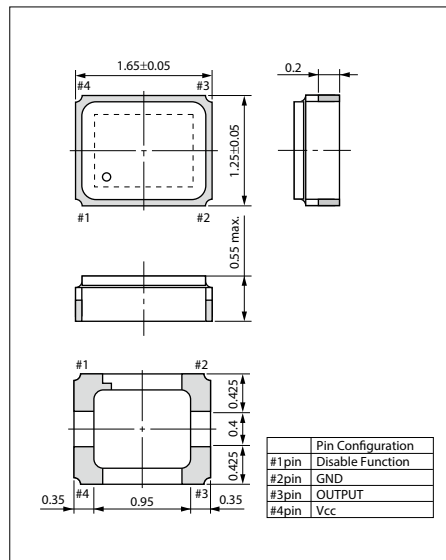
Item	Symbol	Conditions	Min.	Max.	Units
Output Frequency Range	f _o	Standard Output Frequency: 26.0 / 38.4 / 52.0	26.0	52.0	MHz
Frequency Tolerance	f _{tol}	vs Temperature	-0.5/ -2	+0.5/ +2	×10 ⁻⁶
		vs Load	-0.1	+0.1	
		vs Voltage	-0.1	+0.1	
Frequency Aging	f _{age}	Per Year	-1	+1	×10 ⁻⁶
Storage Temperature Range	T _{stg}		-40	+85	°C
Operating Temperature Range	T _{use}		-30	+85	°C
Supply Voltage	V _{cc}		1.1	2.0	V
Output Level	V _{pp}	Clipped Sine*, Load: 10k ohm // 10pF	0.8	—	V _{p-p}
Current Consumption	I _{cc}		—	2	mA
Harmonics	—		—	-5	dBc

* : A DC-cut capacitor is not embedded in this crystal oscillator. Connect a DC-cut capacitor (≥1nF) to the line-out terminal of the oscillator.

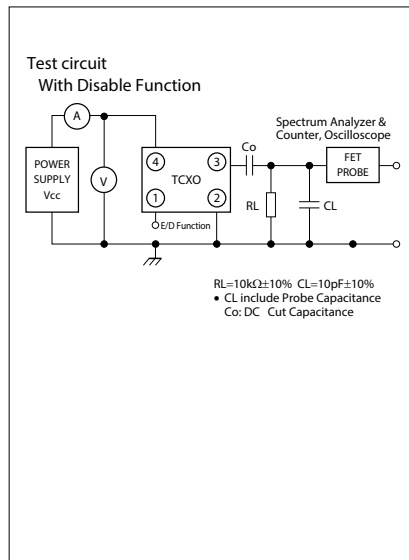
* Please contact us for other specifications.

Dimensions

(Unit: mm)



Test Circuit



Recommended Land Pattern

(Unit: mm)

