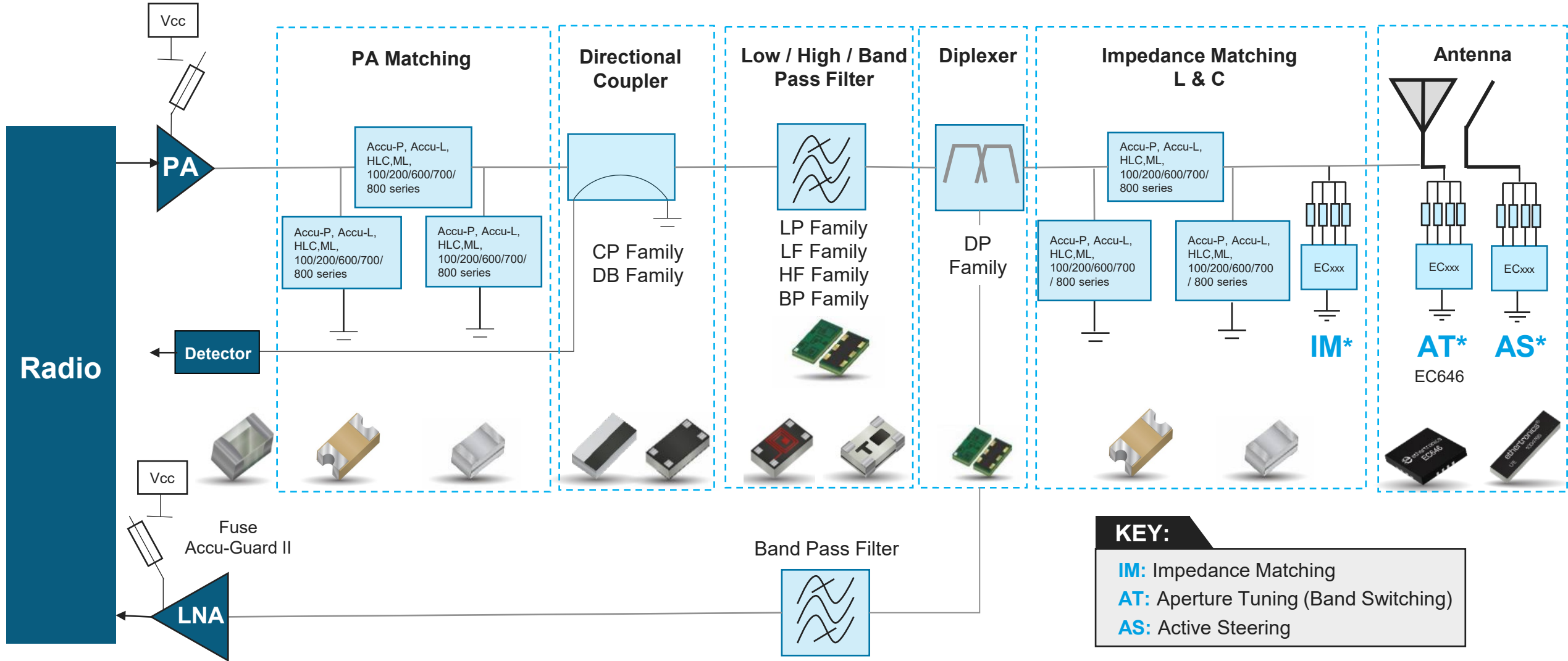


FEM CONCEPTUAL ARCHITECTURE FOR RFS PRODUCTS

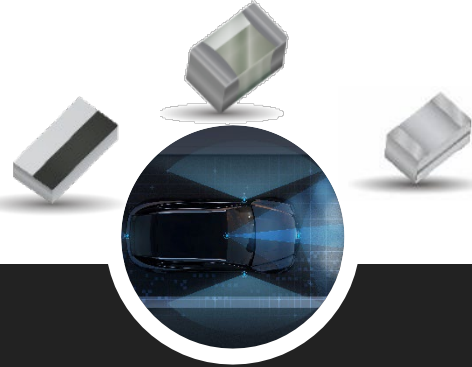


TYPICAL APPLICATIONS



- Hi-Q Caps
- T.F/MLO Filters

MILITARY



- T.F Caps/Ind/Res
- Fuses

AUTOMOTIVE



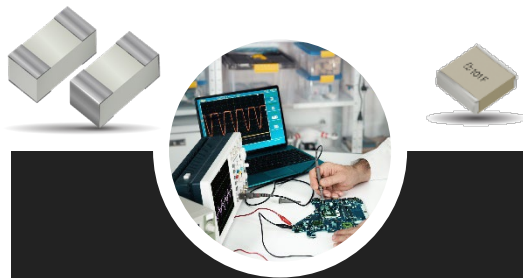
- T.F Caps/Ind/Res/ Fuses
- Diplexers
- Antennas

CONSUMER



- Hi-Q Caps
- T.F/MLO Filters

BASE STATION



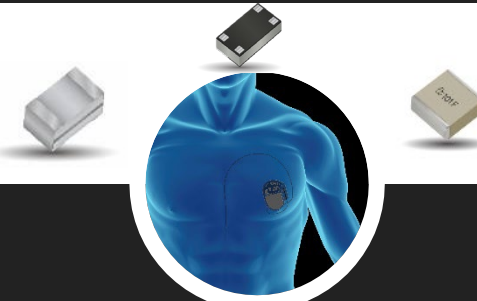
- Hi-Q Caps
- Q-Bridge

INSTRUMENTATION



- T.F Caps/Ind/Res/ Fuses
- Diplexers, Filters, Couplers
- Antennas

IoT



- T.F Caps/Ind/Res/ Fuses
- Diplexers, Filters, Couplers
- Hi-Q Caps

MEDICAL AND INDUSTRIAL



- Broadband Caps
 - Single Layers Caps
- ## OPTICAL Communication and BROADBAND