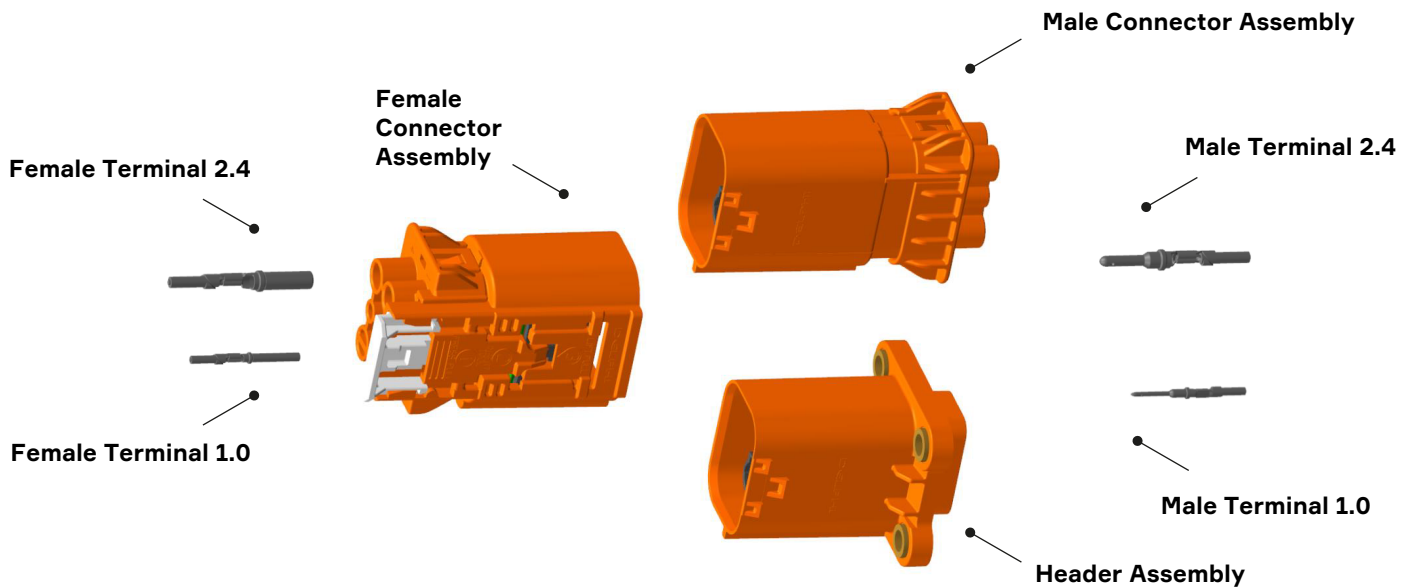
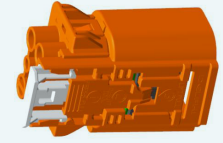


HES240 Female Connector 5mm² ISO cable



BENEFITS

- Inner connector with TPA can be plugged into header during device assembly (on wire-to-device)
- Industry-leading vibration and sealing performance
- Field proven design used across electrification market



FEATURES

- Tool-less unmating system
- Finger proof/touch safe
- Aluminum compression bushings
- ISO cable compatible



AVAILABLE CONFIGURATIONS

Connector Type	Wire-to-device, wire-to-wire
Cable Exit Orientation	90°, 180°
Cable Range (mm²)	2 - 5 (power) 0.5 (HVIL)
Terminal Type	CTS 2.8, Metri-pack 2.8
# of Power Terminals	2
Shielding Type	Individual
HVIL	Shunt on female
Assembly Assurance	CPA/TPA
Number of Indexes	3 (180°), 1 (90°)



BILL OF MATERIALS

HES240 Female Connector, 5mm² ISO cable
Kit part number: 35602261 contains:

Part Number	Description	Quantity
13879046	Mating Connector	1
13663728	1.0 HES gold-plated 0.75–1.0 mm ²	2
13783301	2.4 HES gold-plated 4–5 mm ²	4

 **PERFORMANCE**



 **ASSOCIATED PARTS**

HES240 Male Inline, 5mm² ISO cable
 Kit part number: 35605967 contains:

Part Number	Description	Quantity
13990588	Male Inline Connector	1
13663724	1.0 HES gold-plated 0.75–1.0 mm ²	2
13783284	2.4 HES gold-plated 4–5 mm ²	4

HES240 Header, 5mm² ISO cable
 Kit part number: 35605968 contains:

33229376	6W Header	1
13663724	1.0 HES gold-plated 0.75–1.0 mm ²	2
13783284	2.4 HES gold-plated 4–5 mm ²	4

 **DIMENSION MEASUREMENT SAMPLE**

