

Specification Sheet Online:
<https://www.delevan.com/en/search#e=0&q=PTHF10-30SM>

Delevan Customer Support:
<https://www.delevan.com/en/contact>

PTHF10-30SM



PTHF-SM, Surface Mount, 10.000 μ H (Inductance Rating), 10% (Inductance Tolerance), 2560.000 mA (Current), 0.050 Ohms (DCR)

Lead Time: 12 Weeks*

\$12.83 each[†]

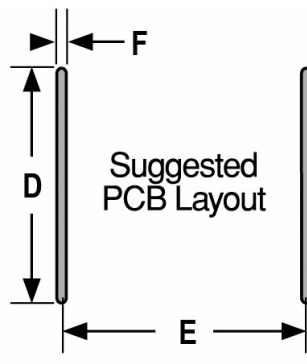
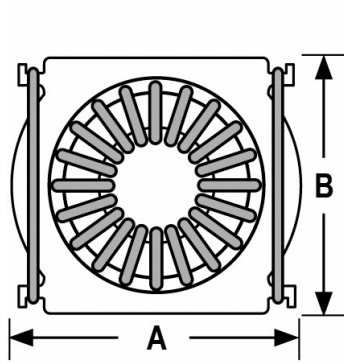
- Excellent electromagnetic shielding performance for commercial and industrial applications
- Current rating from 0.92 to 7.36 amps
- Inductance values from 10 μ H to 330 μ H
- PTHF-SM series offers high saturation levels
- Rated current is based on a 35°C temperature rise at an ambient temperature of 90°C
- RoHS/REACH compliant
- Delevan inductors are highly customizable, allowing them to be a great solution for any product application.

*Please contact Delevan for actual net price and current delivery schedule which will vary with geographic region, quantity ordered and distribution channel. Estimated costs for shipping, packaging and import taxes/duty are not included in this list price. Please contact Delevan Customer Support for more information.

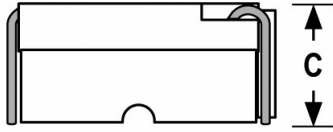
*Lead times may increase with higher quantities. Lead time displayed in business days.

[†]The price shown here is the North American List Price for general reference only. Please Contact Thomson for actual net price and current delivery schedule which will vary with geographic region, quantity ordered and distribution channel. Estimated costs for shipping, packaging and import taxes/duty are not included in this list price. Please contact Thomson Customer Support for more information.

Dimensions



Dimension	Value
A	0.440 in (11.18 mm)
B	0.440 in (11.18 mm)
C	0.400 in (10.16 mm)
D	0.400 in (10.16 mm)
E	0.400 in (10.16 mm)
F	0.060 in (1.52 mm)



Specifications

Specifications	Value
Inductance Rating	10.000 uH
Inductance Tolerance	10%
Current Rating	2560 mA
DC Resistance (DCR)	0.050 Ohms
Current Rating at 90°C Ambient	35°C Temperature Rise
RoHS	No
Shielded	Yes
Core Material	HS
Length	0.440
Width	0.440
Height	0.400
Lead Length	0.000
Test Frequency	0.001 MHz