

About Amphenol Commercial Products

Amphenol's commercial connector products are used in a variety of end user applications including networking, telecom, server & computer, storage & HDD, consumer electronics and entertainment, professional audio & Industrial & Military/Aerospace.

Related Products

RJHSE



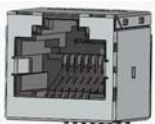
P/N RJHSE-3081 SHOWN SINGLE PORT VERTICAL MOUNT, NO SHIELD, WITH LEDs

RJSSE

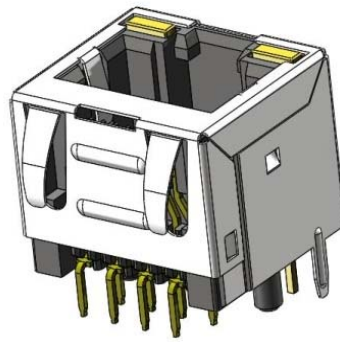


P/N RJSSE-5381 SHOWN SINGLE PORT, 8 POSITION, WITH SHIELD AND LIGHT PIPE

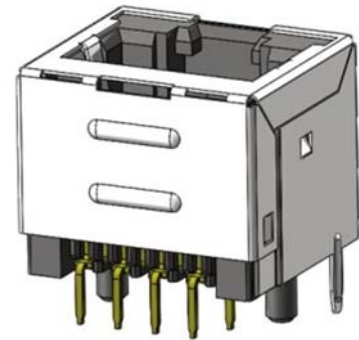
RJE23



P/N RJE23-188-2X10 SHOWN SINGLE PORT, 8 POSITION, SMT, TOP ENTRY, WITH SHILED



P/N RJE88-188-2XX0 SHOWN SINGLE PORT VERTICAL MOUNT, WITH SHIELD, WITH LEDs



P/N RJE88-188-1X00 SHOWN SINGLE PORT VERTICAL MOUNT, SHIELDED WITHOUT TABS, WITHOUT LEDs

OVERVIEW

This product specification defines the general use and performance parameters for Amphenol's RJE88 series of inverted modular jacks.

Availability: Single port, vertical mount connectors with a wide variety of LED and shielding options.

USAGE

The RJE88 inverted modular jacks with superior EMI performance supports Ethernet Protocols. Shielding available for increased EMI performance and LEDs for Link Activity and Network Speed verification.

APPLICATIONS

Intended for use in applications such as:

Data

- Storage
- Servers
- Routers
- Switches
- Hubs

Networking & Telecom

- 5G Wireless
- Telephones
- Modems
- Fax Machines

Consumer Goods

- Security Systems
- Set Top Boxes
- Video Game Systems
- PCs, Laptops
- Copiers, Printers

Medical

- Analysis Equipment
- Mass Spectrometers

Industrial and Instrumentation

- Uninterruptible Power Supply (UPS)
- ATMs
- Vending Machines
- POS Terminals
- Industrial IoT Platforms

About Amphenol Commercial Products

Amphenol's commercial connector products are used in a variety of end user applications including networking, telecom, server & computer, storage & HDD, consumer electronics and entertainment, professional audio & Industrial & Military/Aerospace.

Related Products

RJHSE



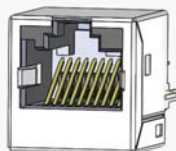
P/N RJHSE-3081 SHOWN SINGLE PORT VERTICAL MOUNT, NO SHIELD, WITH LEDs

RJSSE



P/N RJSSE-5381 SHOWN SINGLE PORT, 8 POSITION, WITH SHIELD AND LIGHT PIPE

RJE74



P/N RJE74-1AA-1410 SHOWN SINGLE PORT, 10 POSITION, WITH SHIELD

ELECTRICAL CHARACTERISTICS

Contact Resistance	20 mΩ maximum
Insulation Resistance	500 MΩ minimum at 500V DC for 2 minutes maximum
Current Rating	1.5 Amps per contact
Voltage Rating	125 Volts AC
DWV	1000 VAC, 60 HZ. 1 min
LED Forward DC Current	20 mA typical
LED Forward Voltage	2.4 Volts max. @ 20mA (for single colours) 2.6 Volts max. @ 20mA (for Bi-colours)
LED Reverse Voltage	5 Volts minimum
LED Light Intensity	4 to 15 mcd @ 20mA (for single colours) 5 mcd minimum @ 20mA (for Bi-colours) Yellow: 587 ± 7nm measured @20mA Green: 565 ± 6nm measured @20mA Red: 625 ± 5nm measured @ 20mA
LED Wavelength	

Supports PoE, PoE+, and PoE++ per IEEE PoE standards
IP20 rated per IEC 60529

MECHANICAL CHARACTERISTICS

Mating connector insertion force	5.0 lbs maximum
Mating connector pull retention force	20.0 lbs minimum
Durability	750 mating and unmating cycles for 50µ" gold plating
Recommended soldering temperature	Wave soldering peaked at 260°C for 5 seconds maximum
Operating Temperature	-40°C to +85°C

Connectors without LEDs are suitable for IR Reflow

MATERIAL REQUIREMENTS

RJE88m connectors are RoHS compliant.

Unless otherwise specified, the materials for each component shall be:

Insulator	High temperature thermoplastic, complies with UL 94V-0
Contacts	-Phosphor Bronze hard temper with gold thickness options (6µ", 15µ" 30µ", 50µ") over 50µ" minimum Nickel on contact mating area -100µ" minimum matte Tin plating on soldering tail
Shield	Stainless Steel with Tin dipped tails
LED	Tin plating on LED tail

About Amphenol Commercial Products

Amphenol's commercial connector products are used in a variety of end user applications including networking, telecom, server & computer, storage & HDD, consumer electronics and entertainment, professional audio & Industrial & Military/Aerospace.

AVAILABLE DOCUMENTS

Below is a list of the most popular standard sales drawings:
Contact our website, sales, or an authorized Amphenol representation for additional drawings.

RJE88-188-0XXX	Single port, vertical through-hole, no shield, with LED options
RJE88-188-1X0X	Single port, vertical through-hole, with shield, without tabs, without LEDs
RJE88-188-1XXX	Single port, vertical through-hole, with shield, with LED options
RJE88-188-2X0X	Single port, vertical through-hole, with shield, without LEDs
RJE88-188-2XXX-T	Single port, vertical through-hole, with shield, with LED options

Related Products

RJHSE



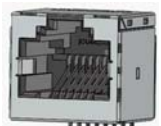
P/N RJHSE-3081 SHOWN SINGLE PORT VERTICAL MOUNT, NO SHIELD, WITH LEDs

RJSSE



P/N RJSSE-5381 SHOWN SINGLE PORT, 8 POSITION, WITH SHIELD AND LIGHT PIPE

RJE23



P/N RJE23-188-2X10 SHOWN SINGLE PORT, 8 POSITION, SMT, TOP ENTRY, WITH SHILED