



GLADIATOR



NEW

Magnetic, low-profile, self-aligning connector designed for soldier worn applications.

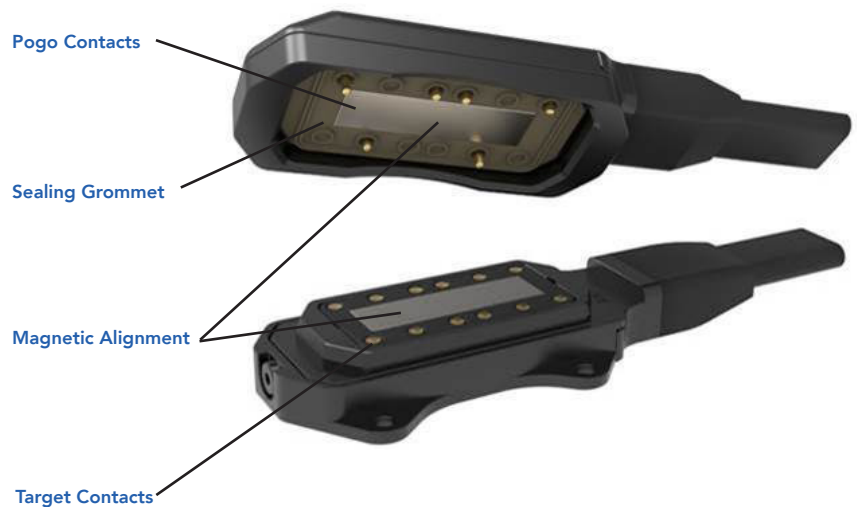
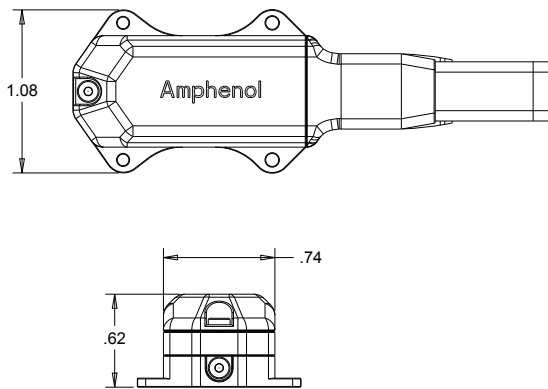


GLADIATOR

Overview

APCD's newest, small, lightweight, ultra flat connector designed for soldier worn applications, including data sharing, battery charging, and peripheral connectivity. Plugs and receptacles fit through MOLLE pack straps. Receptacles are designed for panel mounting, clipped into MOLLE, or sewn into place.

- Magnetic mating orients and aligns connectors for fast, no-look mating.
- Factory adjustable engage/disengage forces to meet customer specific requirements
- Spring pins (spring probes) maintain contact through shock and vibration.
- Fluorosilicone Silicone gasket interfacial seal that seals individual contacts and the plug to receptacle.
- May be supplied cabled (flat or round) or self-terminated.
- Power and Ground Pogo pins designed for 5A continuous current
- Supports USB2.0 Data, with 90 Ω impedance
- First mate, last break, pogo contact available for ground contacts



Pin Assignment

Pin	Specifications	Wire AWG
1	40 V @ 5amps	22 AWG
2	40 V @ 5amps	22 AWG
3	USB2.0 Data +	28 AWG
4	USB2.0 Data -	28 AWG
5	40 V @ 5amps	22 AWG
6	40 V @ 5amps	22 AWG

Specifications

Current Rating	5A continuous
Dielectric Withstanding Voltage	120VDC
Insulation Resistance	5000MΩ
Operating Temperature	65°C to +125 °C
Humidity	95% per MIL-STD-810G, Method 507, Procedure I, Cycle B-1
Shell to Shell Resistance	< 4 mΩ
Mating Durability	2000 Cycles
De-Mate Force	3.0 to 5.0 lbs
Mechanical Vibration	MIL-STD-883 Method 2007.3 ; Test Condition A
Sealing	IP67 1m 1 hr
Salt Spray	150 hrs.
CBRN	Allows for NBC decontamination

Ordering Information

Receptacle	MCGR06M1M1B00
Plug	MCGP06M1M1B00
Receptacle Pigtail	MCGR06M1M1B00-XXX
Plug Pigtail	MCGP06M1M1B00-XXX

* Subject to change pending completion of validation test