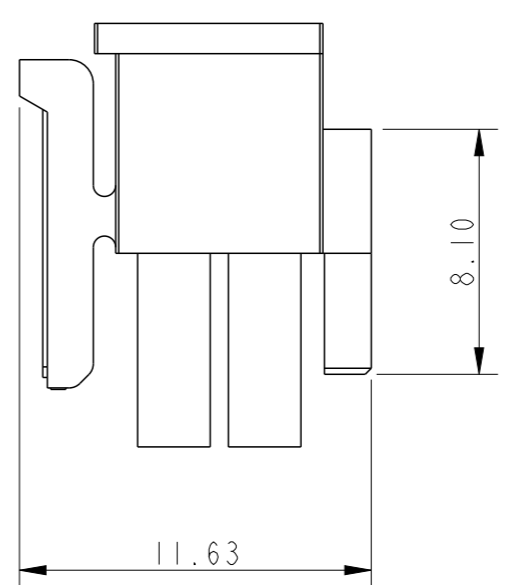
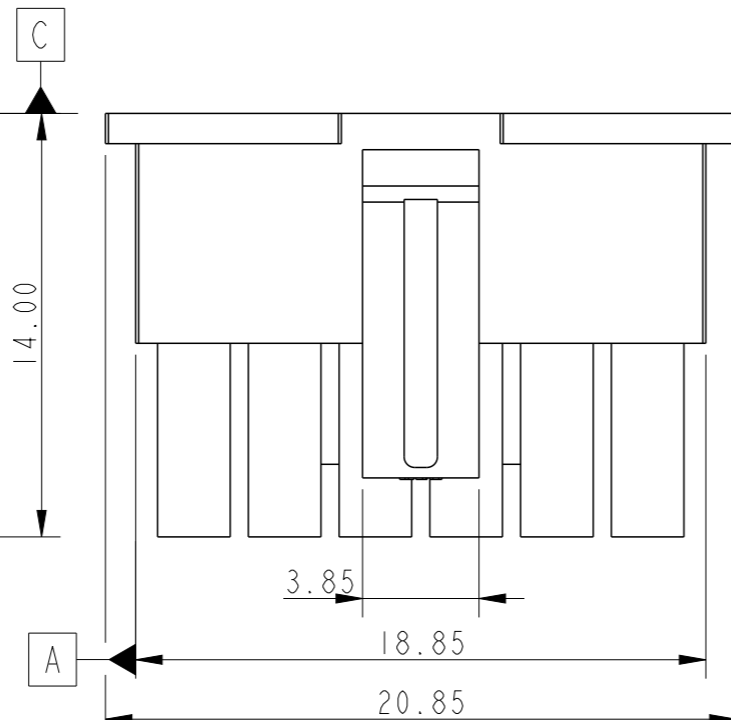


MARK H+
STAND
FOR HIGH
CURRENT

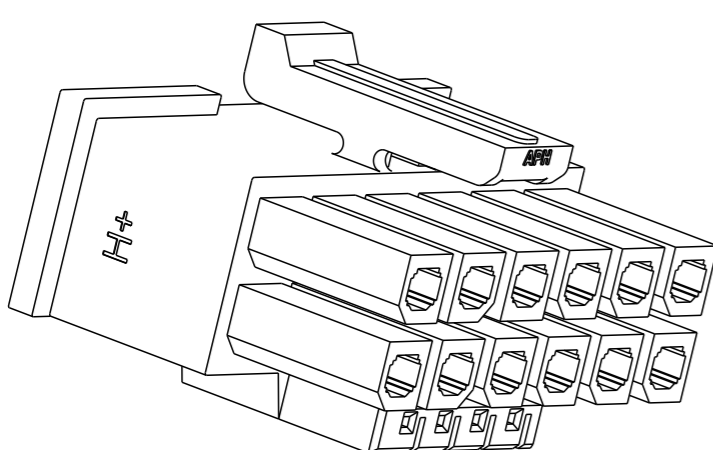
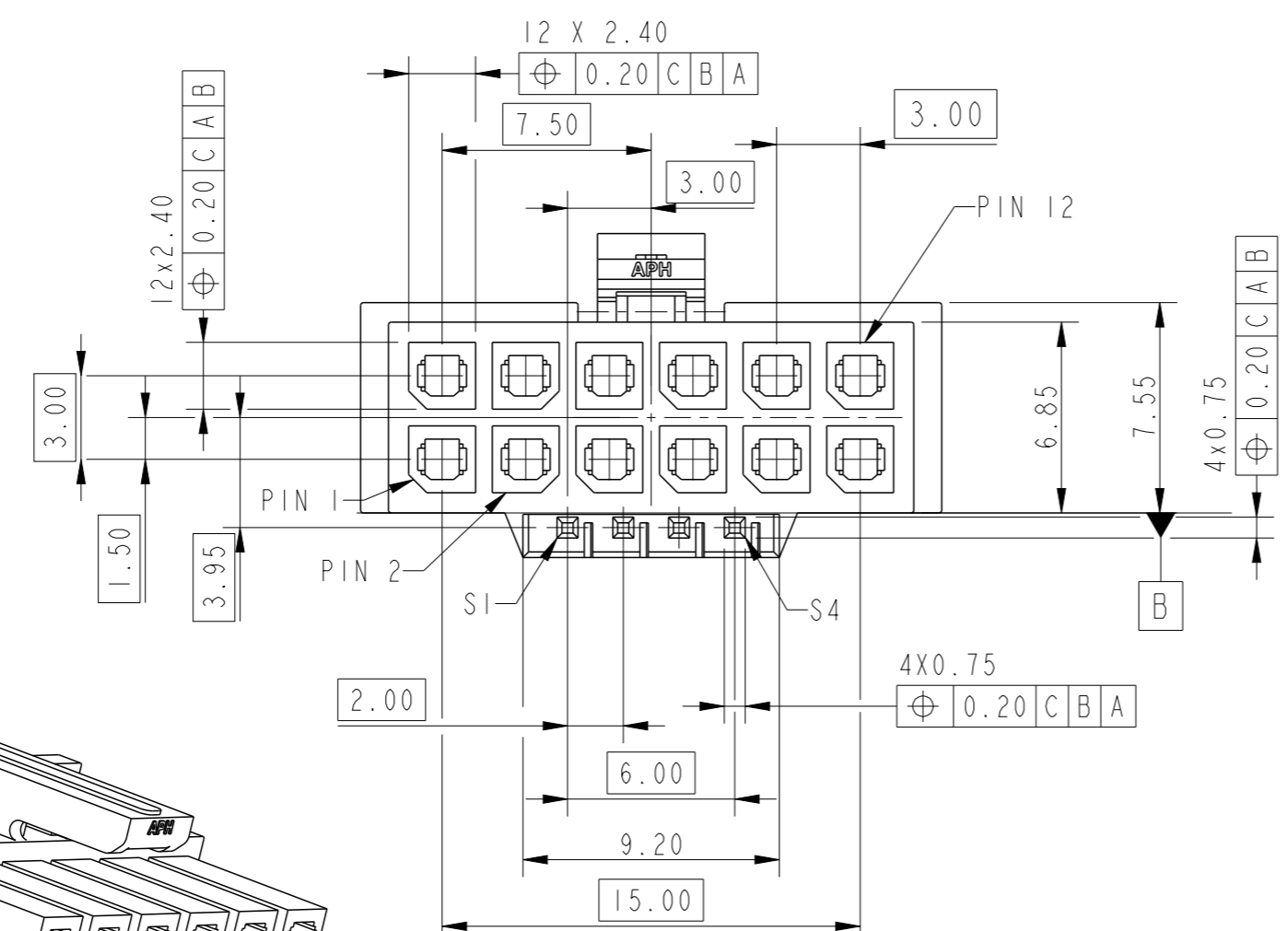
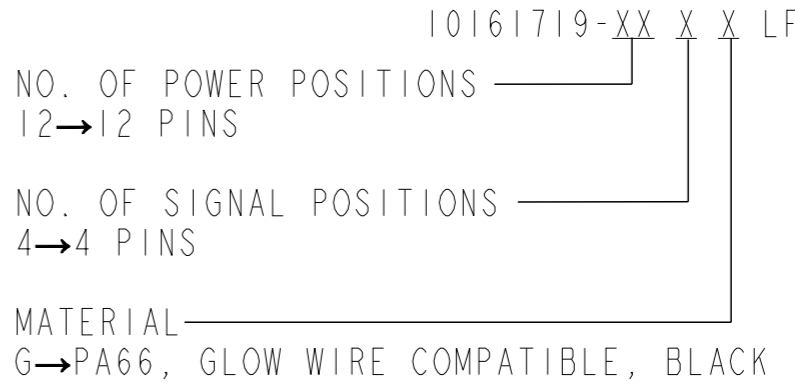
6.90
8.45



NOTE

- 1 MATERIAL:
HOUSING: NYLON, PA66 UNFILLED
UL94V-0, COLOUR:BLACK, GLOW WIRE COMPATIBLE
- 2 USED WITH AICC POWER TERMINAL 10134160, 10132447
- 3 USED WITH AICC SIGNAL TERMINAL 10161952
- 4 MATES WITH AICC HEADER 10160920
- 5 PRODUCT SPECIFICATION: GS-12-1706
- 6 PACKAGE SPECIFICATION: GS-14-2802
- 7 APPLICATION SPECIFICATION: GS-20-0704

8. PART NUMBER LOGIC



spec ref	dr	Akhil Rajan	2021/06/28	projection	MM	size	A3	scale	4:1
tolerance std	eng	Paul Mithun	2021/07/10			ecn no	ELX-I-41484-1	rel level	Released
ISO 406 ISO 1101	chr	-	-						
surface	linear	0.X	±0.25		title	dwg no	10161719	rev	C
		0.XX	±0.20						
ISO 1302	angular	0°	±2°	cat. no.	Product - Customer Drw	sheet 1 of 1			