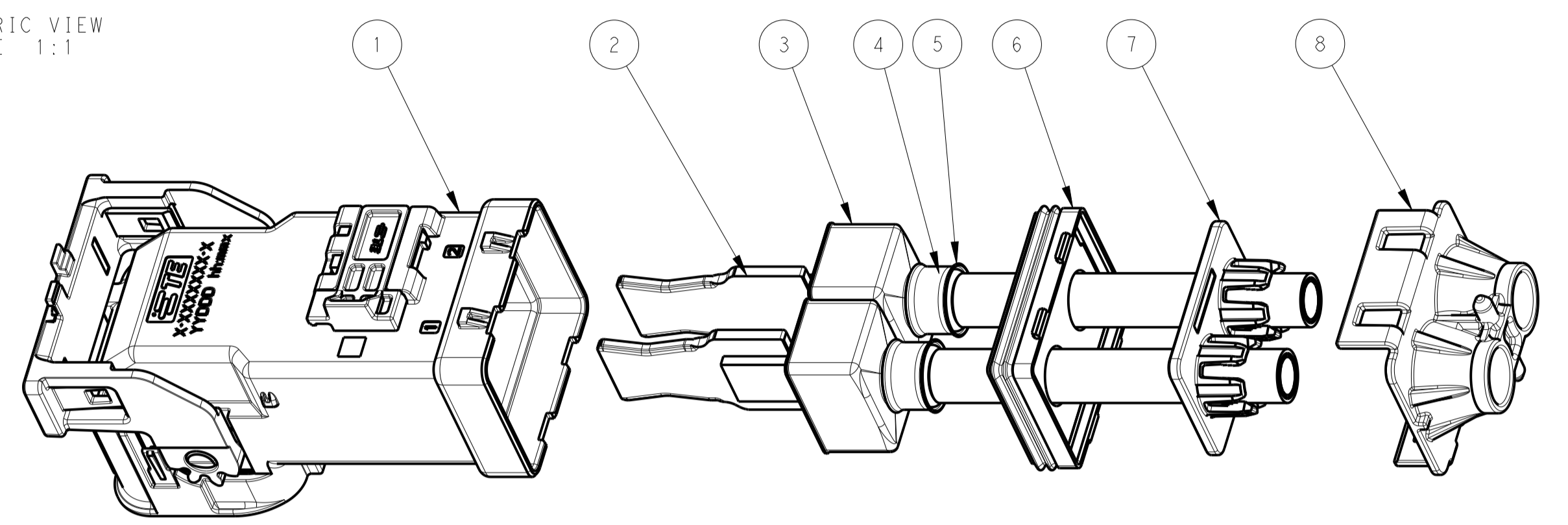
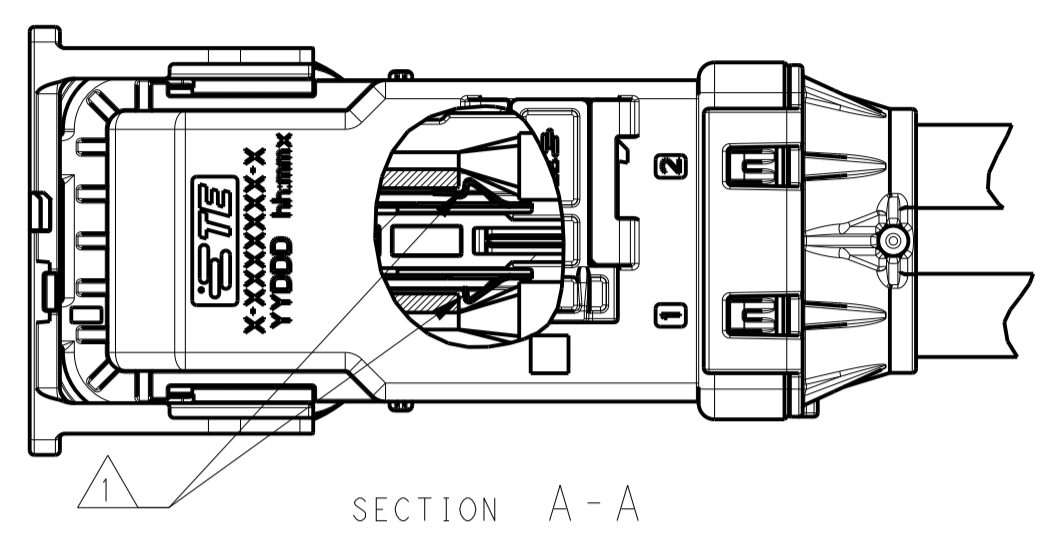
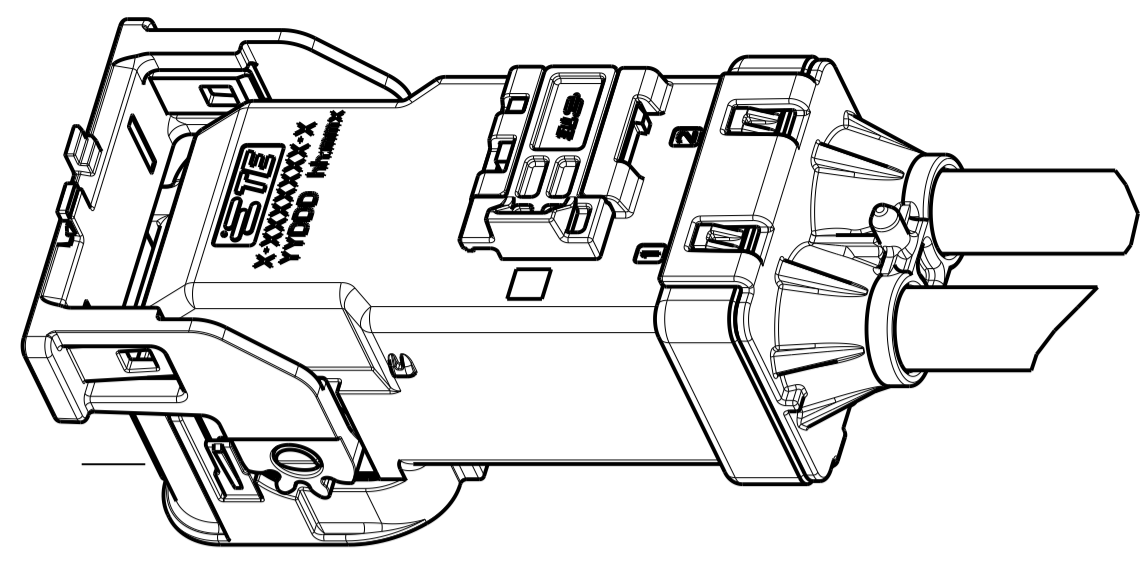
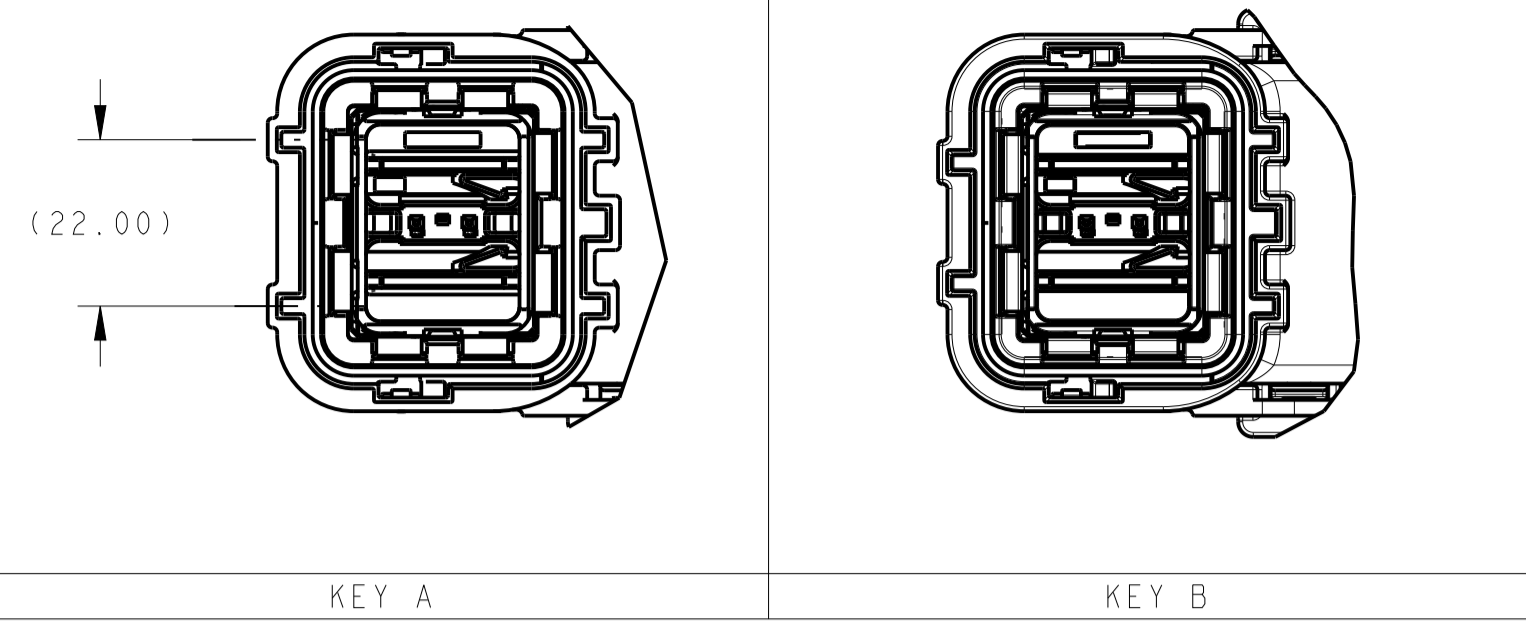
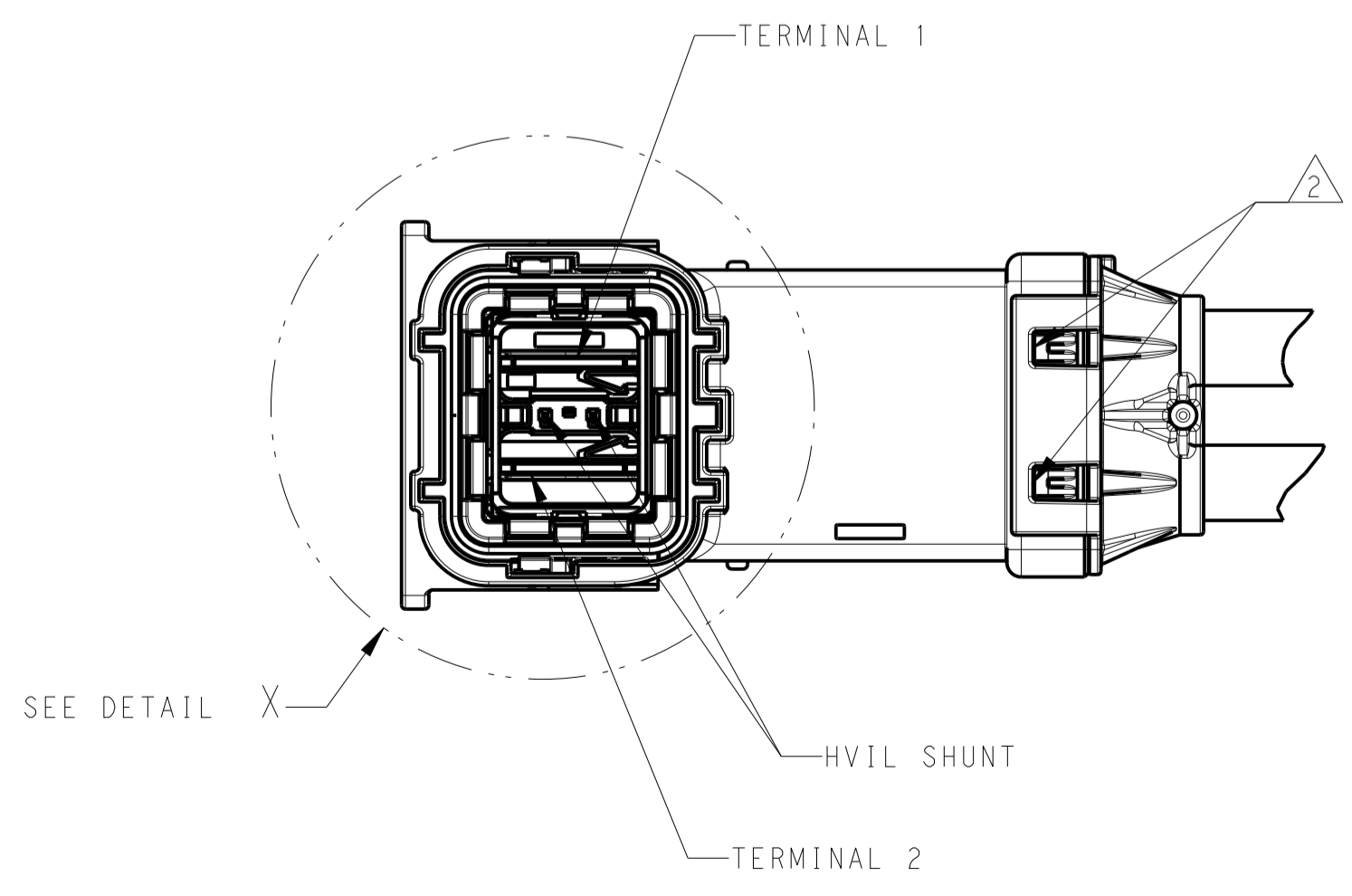
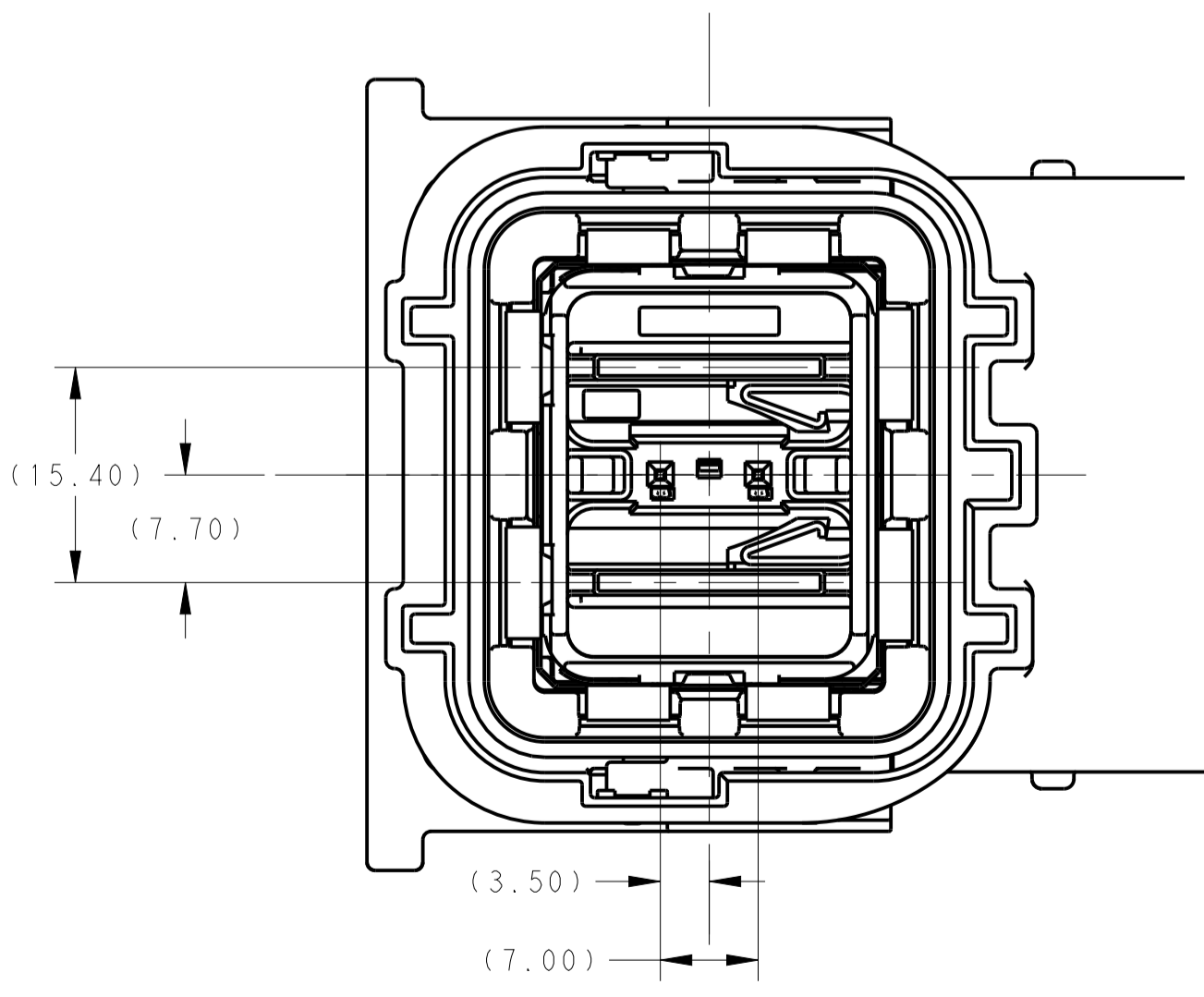
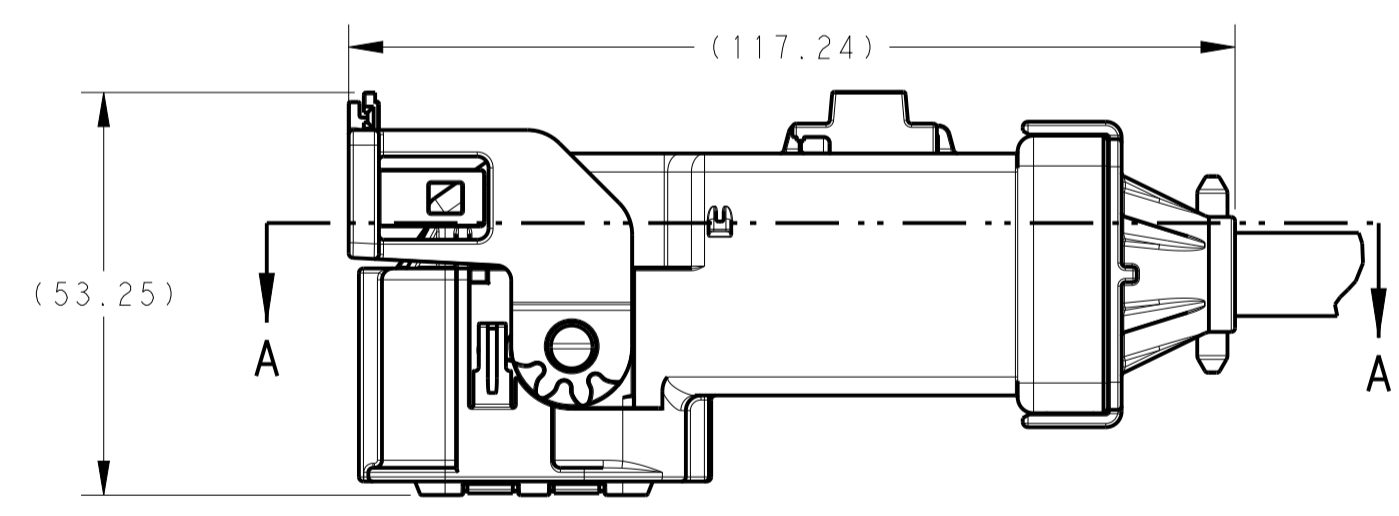
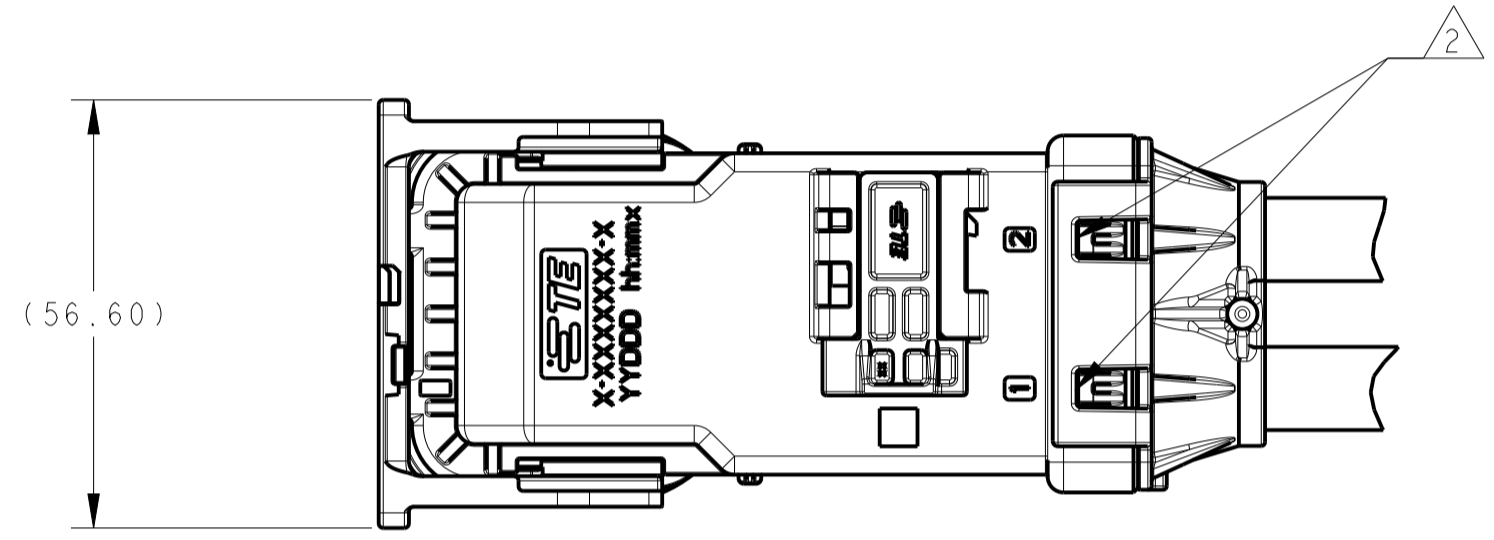
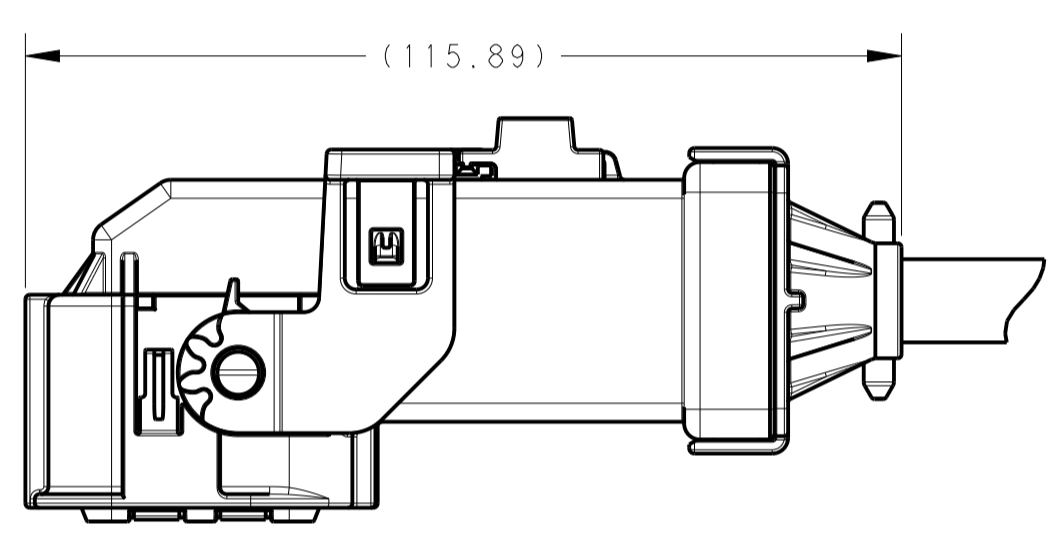


REVISIONS				
P	LTM	DESCRIPTION	DATE	APVD
A		INITIAL RELEASE	21FEB2020	PK TD
A1		ECN-21-101658	30MAR2021	PK YS



- ① ALL TERMINALS MUST BE FULLY SEATED AND LOCKED IN POSITION
- ② SPACER SEAL COVER MUST BE FULLY LOCKED 4 PLACES
- ③ PARTS ARE NOT AVAILABLE BY THESE NUMBERS FULLY ASSEMBLED AS SHOWN. FINAL ASSEMBLY REQUIRES INDIVIDUAL COMPONENTS OR SUB-ASSEMBLIES LISTED IN THE PARTS LIST AND AVAILABLE SEPARATELY FROM TE. CONSULT INDIVIDUAL CUSTOMER DRAWINGS FOR PART RELEASE STATUS
- ④ THIS COMPONENT COMBINATION HAS NOT COMPLETED VALIDATION TESTING
- ⑤ UNLESS OTHERWISE SPECIFIED VIEWS ARE SHOWN WITH THE LEVER AND CPA IN THE OPEN POSITION
- ⑥ PRELIMINARY, NOT FOR PRODUCTION



QTY REQ PER ASSY	QTY REQ PER ASSY	QTY REQ PER ASSY	QTY REQ PER ASSY	TE PART NO	DESCRIPTION	ITEM NO
-	1	1	-	2329023-1	COVER, SPACER SEAL, SIZE 1 (ORANGE)	8
-	-	-	1	2354131-1	COVER, SPACER SEAL, SIZE 3 (GRAY)	
1	1	1	-	2840712-1	COLLET, SIZE 1 (BLACK)	7
-	-	-	1	2354130-1	COLLET, SIZE 3 (GRAY)	
-	-	1	-	2356586-1	SPACER SEAL	
1	1	-	-	2840571-1	SPACER SEAL	6
-	-	-	1	2369835-1	SPACER SEAL	
2	2	2	-	2840450-1	FERRULE, OUTER, SIZE 1	5
-	-	-	2	2365215-1	FERRULE, OUTER, SIZE 3	
2	2	2	-	1-2840635-1	FERRULE SLEEVE, SIZE 1	4
-	-	-	2	1-2840635-3	FERRULE SLEEVE, SIZE 3	
2	2	2	-	2840451-1	FERRULE, INNER, SIZE 1	3
-	-	-	2	2365214-1	FERRULE, INNER, SIZE 3	
2	2	2	2	2840393-1	HV TAB	2
1	1	-	-	X-2840672-1	PLUG SUB-ASSY, KEY A	
-	-	1 OR 1	1 OR 1	X-2840900-1 OR X-2840900-2	PLUG SUB-ASSY, KEY A OR PLUG SUB-ASSY, KEY B	

PARTS LIST				TE REFERENCE NUMBER - THESE NUMBERS ARE FOR REFERENCE ONLY AND ARE NOT FOR SALE	KEY INDEX
3-2349157-1	2-2349157-1	1-2349157-1 OR 1-2349157-2	2349157-1 OR 2349157-2		
A	A	A OR B	A OR B		
GEBAUER & GRILLER X8663	COROPLAST 9-2611(FLR2GCB2G)	CHAMPLAIN 15-08403-XXX	CHAMPLAIN 15-08126-XXX		CABLE SUPPLIER/SPECIFICATION
50mm <sup>2</sup> Al	50mm <sup>2</sup> Cu	50mm <sup>2</sup> Cu	25mm <sup>2</sup> Cu		CABLE SIZE

THIS DRAWING IS A CONTROLLED DOCUMENT.

OWN: P. KOLHAIKAR 21FEB2020  
CHK: T. DEWITTE 21FEB2020  
APVD: T. DEWITTE 21FEB2020

TE Connectivity

NAME: PLUG ASSEMBLY HC-STAK 25-2PH1 REFERENCE DRAWING

PRODUCT SPEC: 108-160108  
APPLICATION SPEC: 114-162001

SCALE: 1:1 SHEET 1 OF 1 REV A1