

## Safe, Reliable Management of High Voltages

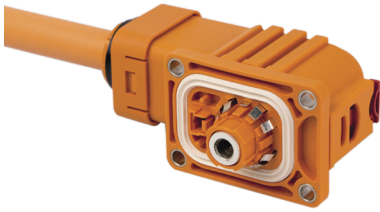
### AMP+ HVP 1100 High Current Connectors and Headers

TE Connectivity's (TE) AMP+ HVP 1100 finger proof, touch safe, one position high current connectors and headers are designed for flexibility with the options needed for various hybrid and electric vehicle device applications. With a current carrying capability up to 300A at 85 °C\* and a cable range of 35-95mm<sup>2</sup> individually shielded wire, the TE AMP+ HVP 1100 can be used in many high voltage applications. The system provides an integrated internal HVIL for package size optimization.

- Elimination of lever lock optimizes package size
- Two stage unlatching for effective HVIL functionality

# AMP+ HVP 1100

## High Current, High Voltage Connectors and Headers



### HVP 1100 KEY FEATURES

- Finger proof, touch safe
- Two stage unlatching for effective HVIL functionality
- Finger actuated
- No tool required to unmate
- Wide cable range (35-95mm<sup>2</sup>)
- USCAR-2, USCAR-37 compliant
- Tested to 50 mating cycles
- Sealed
- Multiple coding options (up to 6)

### TE Technical Support Center

Canada:	+1.905.470.4425
C. America:	+52.0.55.1106.0814
China:	+86.0.400.820.6015
France:	+33.0.1.3420.8686
Germany:	+49.0.6251.133.1999
Great Britain:	+44.0.8706.080208
India:	+91.80.285.40800
Japan:	+81.44.844.8111
Korea:	+82.2.3415.4500
Mexico:	+52.0.55.1106.0814
Netherlands:	+31.0.73.6246.999
South America:	+55.0.11.2103.6000
USA:	+1.800.522.6752

te.com

© 2012 Tyco Electronics Corporation,  
a TE Connectivity Ltd. Company. All Rights Reserved.  
9-1773466-8 GAD TB 3M 11/2012

TE Connectivity, TE connectivity (logo), AMP+ are trademarks. USCAR is a trademark. Other logos, product and/or company names might be trademarks of their respective owners.

### APPLICATIONS

- Battery pack
- Inverter
- High voltage power distribution unit

### MECHANICAL

- Terminal: 11mm pin and receptacle
- Wire range: 50-70mm<sup>2</sup> individual shielded wire
- Latching style: Two stage, finger actuated
- HVIL: Integrated, internal
- CPA available

### ELECTRICAL

- Voltage rating: Up to 750 VDC
- Current rating: Up to 300A @ 85 °C with 70mm<sup>2</sup> shielded cable
- Temperature range: -40 °C to 125 °C
- Shielding: 360° degree from wire to device
- IP rating: Mated: IP67, IP6k9k  
Unmated: IP2XB

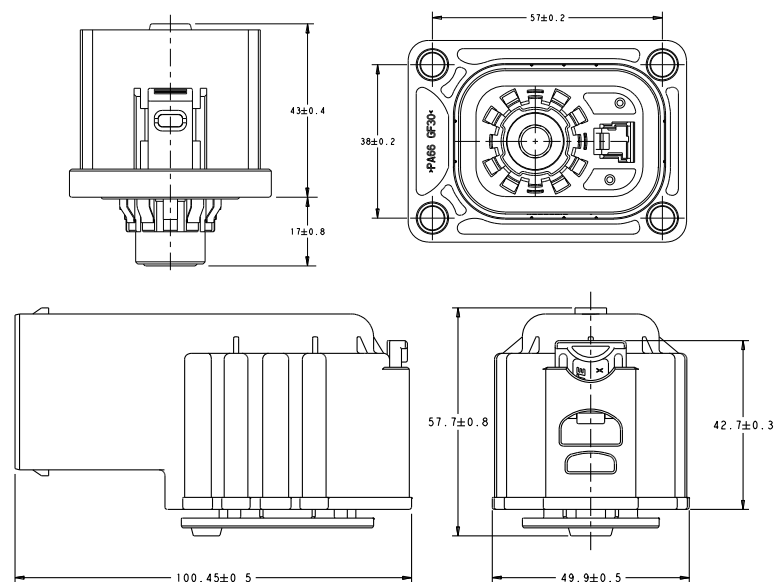
### STANDARDS AND SPECIFICATIONS

- USCAR-2 Rev. 5
- USCAR 37
- Validation: 501-101362 Rev. A
- Product specification: 108-101203
- Application specification: 114-101010

### PRODUCT OFFERING

- One position right angle (90° degree version)
- Header P/N: 2137740-x
- Reference plug: Refer to 114-101010 spec

### PRODUCT DIMENSIONS



While TE has made every reasonable effort to ensure the accuracy of the information in this brochure, TE does not guarantee that it is error-free, nor does TE make any other representation, warranty or guarantee that the information is accurate, correct, reliable or current. TE reserves the right to make any adjustments to the information contained herein at any time without notice. TE expressly disclaims all implied warranties regarding the information contained herein, including, but not limited to, any implied warranties of merchantability or fitness for a particular purpose. The dimensions in this catalog are for reference purposes only and are subject to change without notice. Specifications are subject to change without notice. Consult TE for the latest dimensions and design specifications.

\* Depends on cable size and construction