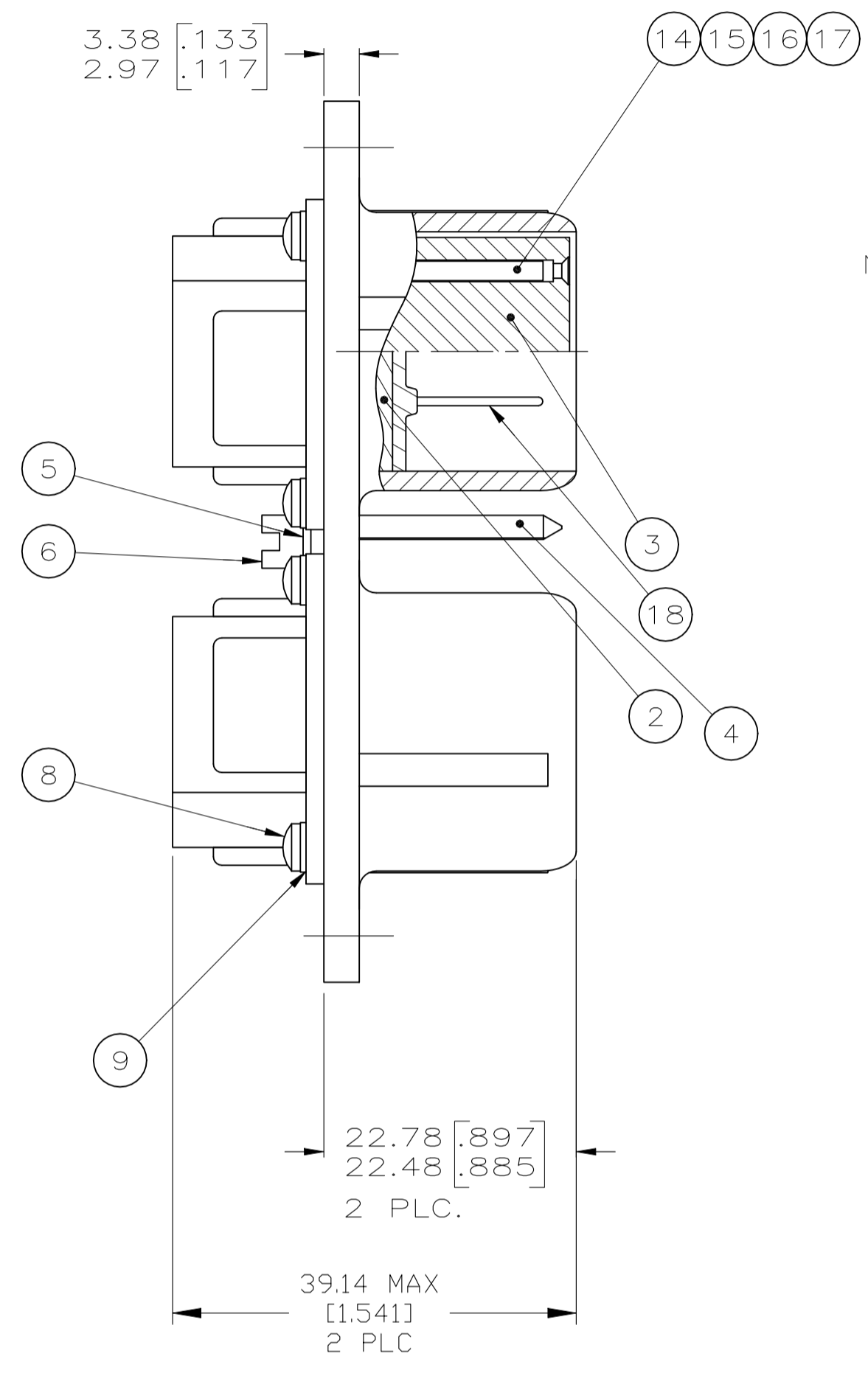
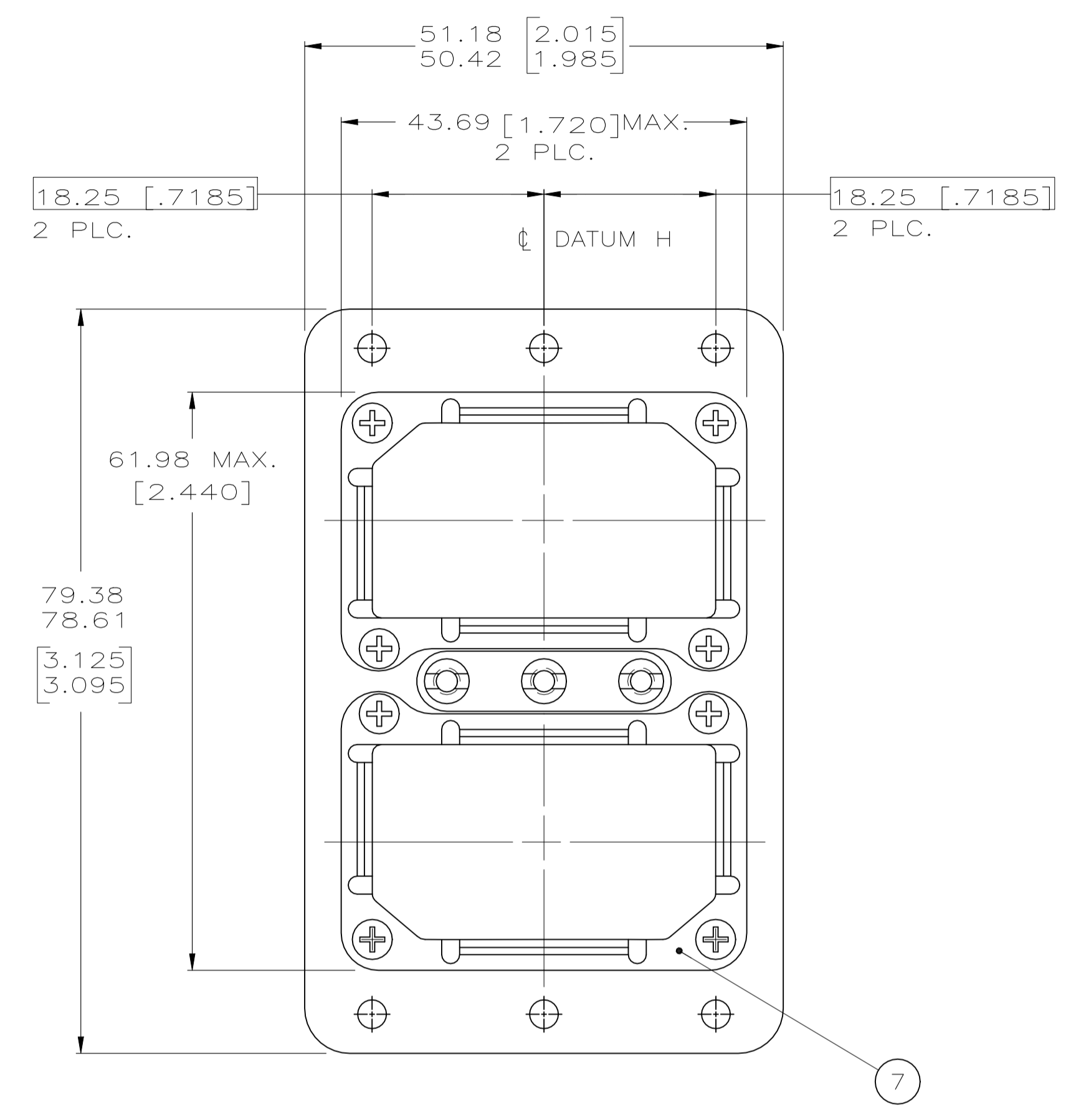
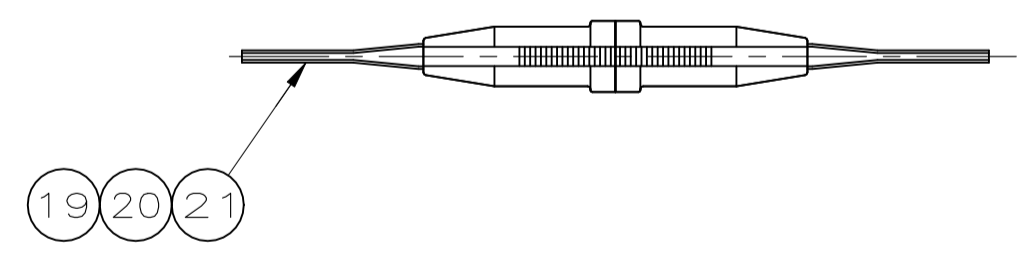
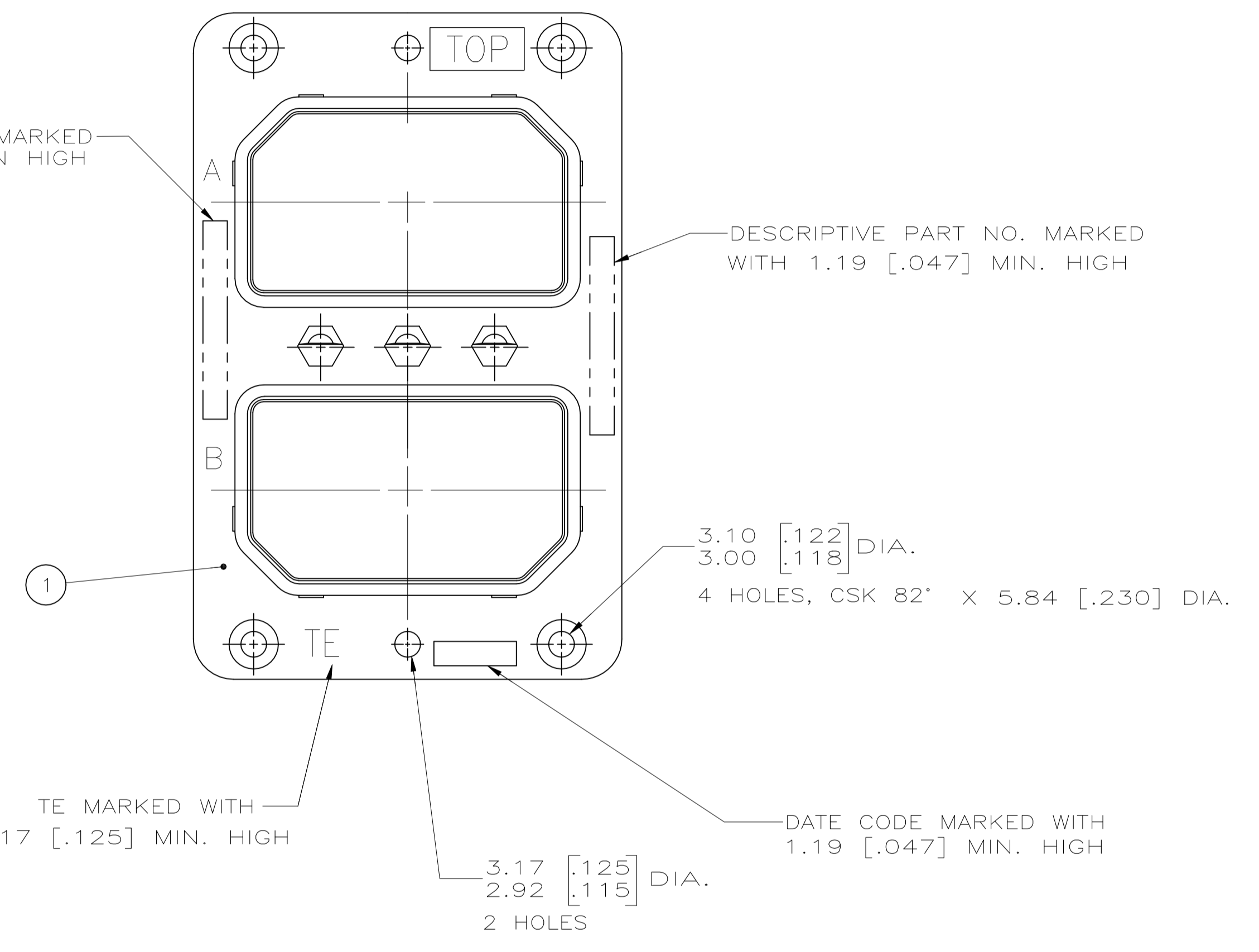


REVISIONS					
P	LTR	DESCRIPTION	DATE	DRN	APVD
E		REVISED PER ECO 20-015430	5-26=21	CT	RL



NUMERICAL (ORDERING) P/N MARKED WITH 1.19 [.047] MIN HIGH



- CONTACTS SHOWN LOADED FOR ILLUSTRATION ONLY; ARE INCLUDED IN A CONTAINER WITHIN CONNECTOR PACKAGE FOR SHIPMENT.
- FOR INSERT ARRANGEMENTS AND DIMENSIONS, SEE TABLES ON SHEET 2 OF 2.
- DIMENSIONS IN BRACKETS ARE IN INCHES.
- MATERIAL & FINISH:**

SHELL: DIE CAST ALUMINUM PER QQ-A-591 OR ASTM B211, 6061-T6/6511 OR ASTM B209 2024-T4/T351
 FINISH: PLATED CADMIUM PER QQ-P-416, TYPE 1 CLASS 2 YELLOW CHROMATE CONVERSION

INSULATOR, HARD: EPOXY PER MIL-M-24325
 INSULATOR, SOFT: FLUOROSILICONE RUBBER; COLOR: BLUE
 GROMMET PROTECTOR: ALUMINUM ALLOY, FINISH: BLUE EPOXY
 SCREWS & WASHERS: STAINLESS STEEL; PASSIVATED
 POLARIZING POSTS & NUTS: STAINLESS STEEL
 DUST CAP: CLEAR VINYL

METRIC

THIS DRAWING IS A CONTROLLED DOCUMENT.		DIN 3-11-87 MARK HOFFECKER		TE Connectivity Ltd.	
DIMENSIONS: mm [INCHES]		TOLERANCES UNLESS OTHERWISE SPECIFIED:		CHK 3-11-87 LARRY LAWNER APVD 3-11-87 LARRY LAWNER PRODUCT SPEC APPLICATION SPEC NAME PLUG CONNECTOR KIT, ARINC 404, DUAL INSERT	
0 PLC ± - 1 PLC ± - 2 PLC ± - 3 PLC ± - 4 PLC ± - ANGLES ± 0°30'		MATERIAL - FINISH -		SIZE A1 CAGE CODE 00779 DRAWING NO. C=213441 WEIGHT 0 CUSTOMER DRAWING	
RESTRICTED TO - SCALE 2:1 SHEET 1 OF 2 REV E					

