

# HC-ALU 6-161 PROFILE 100 - Electronics housing



2200902

<https://www.phoenixcontact.com/us/products/2200902>

Please be informed that the data shown in this PDF document is generated from our online catalog. Please find the complete data in the user documentation. Our general terms of use for downloads are valid.



Profile housing, Wall mounting (with accessories as an option), Aluminum profile, 2-piece, profile width (internal): 161 mm, profile width (external): 187 mm, length: 100 mm, height: 187 mm, depth: 54.6 mm

## Your advantages

- Aluminum extruded profile
- Available in lengths from 100 mm ... 1000 mm, can be cut to any length
- Available in overall widths from 53.5 mm ... 161 mm
- Up to IP65 degree of protection
- Can be used as handheld and wall housing
- Optional EMC seals available

## Commercial data

Item number	2200902
Packing unit	1 pc
Minimum order quantity	1 pc
Sales key	AC02
Product key	ACFAAA
Catalog page	Page 769 (C-1-2013)
GTIN	4046356715843
Weight per piece (including packing)	413.9 g
Weight per piece (excluding packing)	413.9 g
Customs tariff number	76042100
Country of origin	HU

2200902

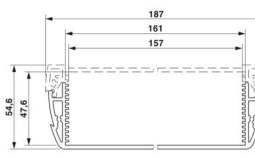
<https://www.phoenixcontact.com/us/products/2200902>

## Technical data

### Product properties

Product type	Component housing lower part
Housing type	Profile housing
Housing series	HC-ALU
Product family	HC-ALU 6-161
Type	Aluminum profile, 2-piece
Ventilation openings present	no

### Dimensions

Dimensional drawing	
Height	187 mm
Depth	54.6 mm
Length	100 mm

#### External dimensions

Profile width (external)	187 mm
--------------------------	--------

#### Internal dimensions

Profile width (internal)	161 mm
--------------------------	--------

### Material specifications

Color (Housing)	graphite grey (RAL 7024)
Housing material	Aluminum
Surface characteristics	powder coated

### Environmental and real-life conditions

#### Ambient conditions

Max. IP code to attain	IP65
Ambient temperature (operation)	-40 °C ... 85 °C

### PCB data

Number of PCB holders	13
Type of PCB mount	Slot

### Mounting

Mounting type	Wall mounting (with accessories as an option)
---------------	---

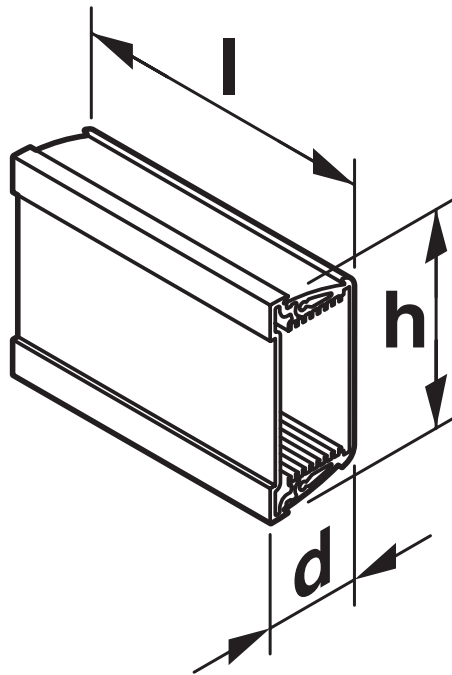
# HC-ALU 6-161 PROFILE 100 - Electronics housing

2200902

<https://www.phoenixcontact.com/us/products/2200902>

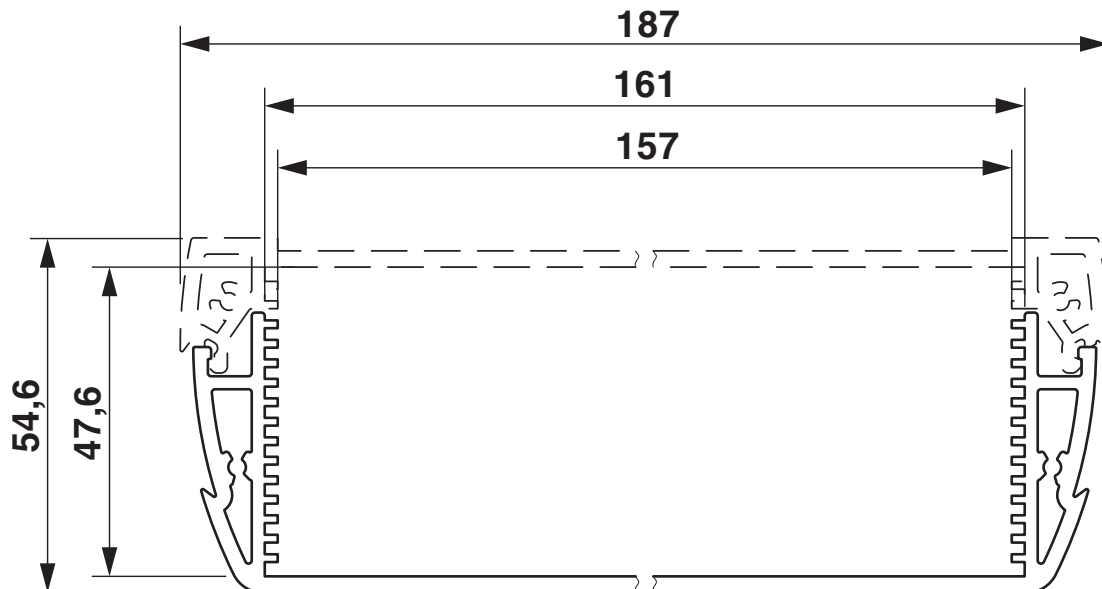
## Drawings

Dimensional drawing



Schematic view

Dimensional drawing



# HC-ALU 6-161 PROFILE 100 - Electronics housing



2200902

<https://www.phoenixcontact.com/us/products/2200902>

## Classifications

### ECLASS

ECLASS-11.0	27182701
ECLASS-13.0	27190601

### ETIM

ETIM 9.0	EC002779
----------	----------

### UNSPSC

UNSPSC 21.0	31261500
-------------	----------

# HC-ALU 6-161 PROFILE 100 - Electronics housing



2200902

<https://www.phoenixcontact.com/us/products/2200902>

## Environmental product compliance

### EU RoHS

Fulfills EU RoHS substance requirements	Yes, No exemptions
---	--------------------

### China RoHS

Environment friendly use period (EFUP)	EFUP-E
	No hazardous substances above the limits

### EU REACH SVHC

REACH candidate substance (CAS No.)	No substance above 0.1 wt%
-------------------------------------	----------------------------

# HC-ALU 6-161 PROFILE 100 - Electronics housing



2200902

<https://www.phoenixcontact.com/us/products/2200902>

## Mandatory accessories

### HC-ALU 6-161 COVER GY - End cover

2200906

<https://www.phoenixcontact.com/us/products/2200906>



Profile housing, End cover, with screws and seal, for 161 mm profile width (internal), width: 190.4 mm, length: 15 mm, depth: 161 mm

---

## Accessories

### HC-ALU 6-161 SEAL EMC - Seal

2200910

<https://www.phoenixcontact.com/us/products/2200910>

EMC seal for HC-ALU panel mounting base



# HC-ALU 6-161 PROFILE 100 - Electronics housing



2200902

<https://www.phoenixcontact.com/us/products/2200902>

## SF-M SET - Tool set

1212543

<https://www.phoenixcontact.com/us/products/1212543>

Bit screwdriver set with quick-action chuck, 89 mm long slotted/crosshead (PZ and PH)/hex/Torx® bits, 17-part, in folding belt pouch, contents: PH 1,2,3 x 89; PZ 1,2,3 x 89; SL 1.5 x 5.5 x 89; TX 10-30 x 89; SW 3,4,5,6 x 89



---

## SF-TXH SET - Tool set

1212538

<https://www.phoenixcontact.com/us/products/1212538>

Screwdriver set, Torx® with drill bit, 6-part, incl. rack, contents: TX 8 x 60; TX 10 x 80; TX 15 x 80; TX 20 x 100; TX 25 x 100; TX 30 x 115



# HC-ALU 6-161 PROFILE 100 - Electronics housing



2200902

<https://www.phoenixcontact.com/us/products/2200902>

## HC-ALU 6 DECO 100 GY - Mounting material

2200914

<https://www.phoenixcontact.com/us/products/2200914>

Decorative strip for HC-ALU panel mounting base



---

## HC-ALU 6 MOUNT 100 GY - Mounting material

2200911

<https://www.phoenixcontact.com/us/products/2200911>

Mounting foot for panel mounting the HC-ALU panel mounting base



---

Phoenix Contact 2024 © - all rights reserved  
<https://www.phoenixcontact.com>

Phoenix Contact USA  
586 Fulling Mill Road  
Middletown, PA 17057, United States  
(+717) 944-1300  
[info@phoenixcon.com](mailto:info@phoenixcon.com)