

DMCC 0,5/16-ST-2,54 - PCB connector



1027618

<https://www.phoenixcontact.com/us/products/1027618>

Please be informed that the data shown in this PDF document is generated from our online catalog. Please find the complete data in the user documentation. Our general terms of use for downloads are valid.



PCB connector, nominal cross section: 0.75 mm², color: black, nominal current: 6 A, rated voltage (III/2): 160 V, contact surface: Au, contact connection type: Socket, number of potentials: 32, number of rows: 2, number of positions: 16, number of connections: 32, product range: DMCC 0,5/...-ST, pitch: 2.54 mm, connection method: Crimp connection, conductor/PCB connection direction: 0 °, plug-in system: COMBICON DFMC 0,5, locking: without, mounting method: without, type of packaging: packed in cardboard

Your advantages

- Cost-effective connection of crimped conductors in large quantities
- Gold-plated contacts ensure transfer quality remains stable over the long term
- Contacts arranged in a double row enable high packing density in a compact area
- Tools for manual and automatic crimping available as an option

Commercial data

| | |
|--------------------------------------|---------------|
| Item number | 1027618 |
| Packing unit | 50 pc |
| Minimum order quantity | 50 pc |
| Sales key | AA01 |
| Product key | AAACDA |
| GTIN | 4055626522784 |
| Weight per piece (including packing) | 2.952 g |
| Weight per piece (excluding packing) | 2.952 g |
| Customs tariff number | 85366990 |
| Country of origin | CN |

DMCC 0,5/16-ST-2,54 - PCB connector



1027618

<https://www.phoenixcontact.com/us/products/1027618>

Technical data

Product properties

| | |
|-----------------------|------------------------|
| Product type | PCB connector |
| Product family | DMCC 0,5/...-ST |
| Product line | COMBICON Connectors XS |
| Number of positions | 16 |
| Pitch | 2.54 mm |
| Number of connections | 32 |
| Number of rows | 2 |
| Number of potentials | 32 |

Electrical properties

| | |
|-----------------------------|--------|
| Nominal current I_N | 6 A |
| Nominal voltage U_N | 160 V |
| Contact resistance | 2.2 mΩ |
| Rated voltage (III/3) | 160 V |
| Rated surge voltage (III/3) | 2.5 kV |
| Rated voltage (III/2) | 160 V |
| Rated surge voltage (III/2) | 2.5 kV |
| Rated voltage (II/2) | 320 V |
| Rated surge voltage (II/2) | 2.5 kV |

Connection data

Connection technology

| | |
|-------------------------|----------------------|
| Type | Standard |
| Connector system | COMBICON DFMC 0,5 |
| Nominal cross section | 0.75 mm ² |
| Contact connection type | Socket |

Interlock

| | |
|-----------------|---------|
| Locking type | without |
| Mounting flange | without |

Conductor connection

| | |
|------------------------------------|--|
| Connection method | Crimp connection |
| Conductor/PCB connection direction | 0 ° |
| Conductor cross section flexible | 0.14 mm ² ... 0.75 mm ² (Maximum external diameter of the insulation 1.9 mm) |
| Conductor cross section AWG | 26 ... 18 (Maximum external diameter of the insulation 1.9 mm) |
| Stripping length | 4.1 mm ... 4.5 mm |

Material specifications

Material data - contact

DMCC 0,5/16-ST-2,54 - PCB connector

1027618

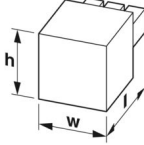
<https://www.phoenixcontact.com/us/products/1027618>

| | |
|------------------|----------|
| Contact material | Cu alloy |
|------------------|----------|

Material data - housing

| | |
|---|--------------|
| Color (Housing) | black (9005) |
| Insulating material | PA |
| Insulating material group | I |
| CTI according to IEC 60112 | 600 |
| Flammability rating according to UL 94 | V0 |
| Glow wire flammability index GWFI according to EN 60695-2-12 | 850 |
| Glow wire ignition temperature GWIT according to EN 60695-2-13 | 775 |
| Temperature for the ball pressure test according to EN 60695-10-2 | 125 °C |

Dimensions

| | |
|---------------------|---|
| Dimensional drawing |  |
| Pitch | 2.54 mm |
| Width [w] | 41.14 mm |
| Height [h] | 6.49 mm |
| Length [l] | 16 mm |

Notes

| | |
|---------------------|--|
| Note on application | The crimp contacts may only be processed with approved crimping tools. |
|---------------------|--|

Mechanical tests

Tensile strength of crimp connections

| | |
|---|--|
| Result | Test passed |
| Conductor cross section/conductor type/tractive force setpoint/actual value | 0.14 mm ² / flexible / > 18 N |

Insertion and withdrawal forces

| | |
|-------------------------------------|------------------------|
| Specification | IEC 60512-13-2:2006-02 |
| Result | Test passed |
| No. of cycles | 100 |
| Insertion strength per pos. approx. | 2 N |
| Withdraw strength per pos. approx. | 2 N |

Resistance of inscriptions

| | |
|---------------|------------------------|
| Specification | IEC 60068-2-70:1995-12 |
| Result | Test passed |

DMCC 0,5/16-ST-2,54 - PCB connector



1027618

<https://www.phoenixcontact.com/us/products/1027618>

Polarization and coding

| | |
|---------------|------------------------|
| Specification | IEC 60512-13-5:2006-02 |
| Result | Test passed |

Visual inspection

| | |
|---------------|-----------------------|
| Specification | IEC 60512-1-1:2002-02 |
| Result | Test passed |

Dimension check

| | |
|---------------|-----------------------|
| Specification | IEC 60512-1-2:2002-02 |
| Result | Test passed |

Environmental and real-life conditions

Vibration test

| | |
|------------------------|--|
| Specification | IEC 60068-2-6:2007-12 |
| Frequency | 10 - 150 - 10 Hz |
| Sweep speed | 1 octave/min |
| Amplitude | 0.35 mm (10 Hz ... 60.1 Hz) |
| Acceleration | 50 m/s ² (60.1 Hz ... 150 Hz) |
| Test duration per axis | 2 h |
| Test directions | X-, Y- and Z-axis |

Durability test

| | |
|--|-----------------------|
| Specification | IEC 60512-9-1:2010-03 |
| Impulse withstand voltage at sea level | 2.95 kV |
| Contact resistance R ₁ | 2.2 mΩ |
| Contact resistance R ₂ | 2.2 mΩ |
| Contact resistance R ₂ 2nd level | 2.4 mΩ |
| Insertion/withdrawal cycles | 100 |
| Insulation resistance, neighboring positions | > 5 MΩ |

Climatic test

| | |
|-----------------------------------|---|
| Specification | DIN 50018:2013-05 |
| Corrosive stress | 1.0 dm ³ SO ₂ on 300 dm ³ /40 °C/1 cycle |
| Thermal stress | 105 °C/168 h |
| Power-frequency withstand voltage | 1.39 kV |

Ambient conditions

| | |
|---|---|
| Ambient temperature (operation) | -55 °C ... 100 °C (dependent on the derating curve) |
| Ambient temperature (storage/transport) | -40 °C ... 70 °C |
| Relative humidity (storage/transport) | 30 % ... 70 % |
| Ambient temperature (assembly) | -5 °C ... 100 °C |

Electrical tests

Thermal test | Test group C

DMCC 0,5/16-ST-2,54 - PCB connector



1027618

<https://www.phoenixcontact.com/us/products/1027618>

| | |
|----------------------------|-----------------------|
| Specification | IEC 60512-5-1:2002-02 |
| Tested number of positions | 16 |

Insulation resistance

| | |
|--|-----------------------|
| Specification | IEC 60512-3-1:2002-02 |
| Insulation resistance, neighboring positions | > 5 MΩ |

Air clearances and creepage distances |

| | |
|--|---------------------|
| Specification | IEC 60664-1:2007-04 |
| Insulating material group | I |
| Comparative tracking index (IEC 60112) | CTI 600 |
| Rated insulation voltage (III/3) | 160 V |
| Rated surge voltage (III/3) | 2.5 kV |
| minimum clearance value - non-homogenous field (III/3) | 1.5 mm |
| minimum creepage distance (III/3) | 2 mm |
| Rated insulation voltage (III/2) | 160 V |
| Rated surge voltage (III/2) | 2.5 kV |
| minimum clearance value - non-homogenous field (III/2) | 1.5 mm |
| minimum creepage distance (III/2) | 1.5 mm |
| Rated insulation voltage (II/2) | 320 V |
| Rated surge voltage (II/2) | 2.5 kV |
| minimum clearance value - non-homogenous field (II/2) | 1.5 mm |
| minimum creepage distance (II/2) | 1.6 mm |

Packaging specifications

| | |
|-------------------|---------------------|
| Type of packaging | packed in cardboard |
|-------------------|---------------------|

DMCC 0,5/16-ST-2,54 - PCB connector

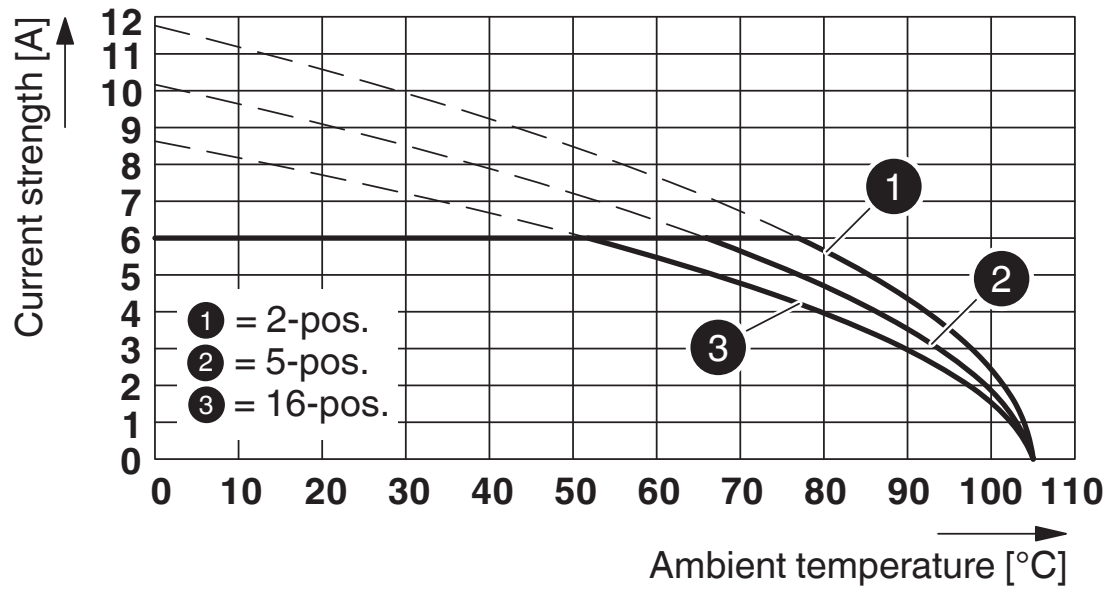


1027618

<https://www.phoenixcontact.com/us/products/1027618>

Drawings

Diagram



Type: DMCC 0.5/...-ST-2.54 with DMC 0.5/...-G1-2.54 P...THR R...

DMCC 0,5/16-ST-2,54 - PCB connector





1027618

<https://www.phoenixcontact.com/us/products/1027618>

Approvals

To download certificates, visit the product detail page: <https://www.phoenixcontact.com/us/products/1027618>

|  cULus Recognized Approval ID: E60425-19920306 | | | | |
|---|-----------------------|-----------------------|-------------------|-----------------------------|
| | Nominal voltage U_N | Nominal current I_N | Cross section AWG | Cross section mm^2 |
| Use group B | | | | |
| Factory wiring | 150 V | 6 A | 26 - 18 | - |
| Use group D | | | | |
| Factory wiring | 150 V | 6 A | 26 - 18 | - |

|  VDE report with production monitoring Approval ID: 40042389 | | | | |
|---|-----------------------|-----------------------|-------------------|-----------------------------|
| | Nominal voltage U_N | Nominal current I_N | Cross section AWG | Cross section mm^2 |
| | 160 V | 6 A | - | 0.14 - 0.75 |

DMCC 0,5/16-ST-2,54 - PCB connector



1027618

<https://www.phoenixcontact.com/us/products/1027618>

Classifications

ECLASS

| | |
|-------------|----------|
| ECLASS-11.0 | 27460202 |
| ECLASS-12.0 | 27460202 |
| ECLASS-13.0 | 27460202 |

ETIM

| | |
|----------|----------|
| ETIM 9.0 | EC002638 |
|----------|----------|

UNSPSC

| | |
|-------------|----------|
| UNSPSC 21.0 | 39121400 |
|-------------|----------|

DMCC 0,5/16-ST-2,54 - PCB connector



1027618

<https://www.phoenixcontact.com/us/products/1027618>

Environmental product compliance

EU RoHS

| | |
|---|--------------------|
| Fulfills EU RoHS substance requirements | Yes, No exemptions |
|---|--------------------|

China RoHS

| | |
|--|--|
| Environment friendly use period (EFUP) | EFUP-E |
| | No hazardous substances above the limits |

EU REACH SVHC

| | |
|-------------------------------------|----------------------------|
| REACH candidate substance (CAS No.) | No substance above 0.1 wt% |
|-------------------------------------|----------------------------|

EF3.0 Climate Change

| | |
|---------|---------------|
| CO2e kg | 0.024 kg CO2e |
|---------|---------------|

Phoenix Contact 2025 © - all rights reserved
<https://www.phoenixcontact.com>

Phoenix Contact USA
586 Fulling Mill Road
Middletown, PA 17057, United States
(+717) 944-1300
info@phoenixcon.com