

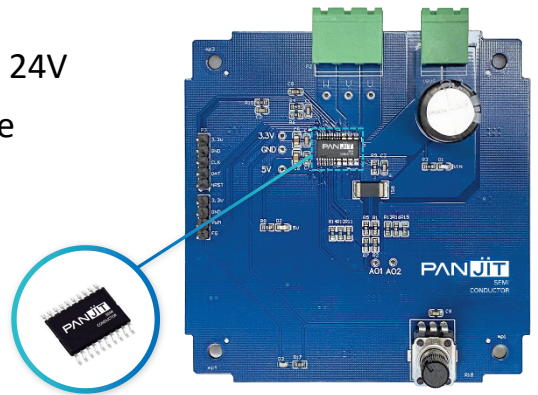
All-in-One Motor Control Solution

Integrated MCU, Driver, MOSFET, Total Solution for Thermal, SMT, and PCB

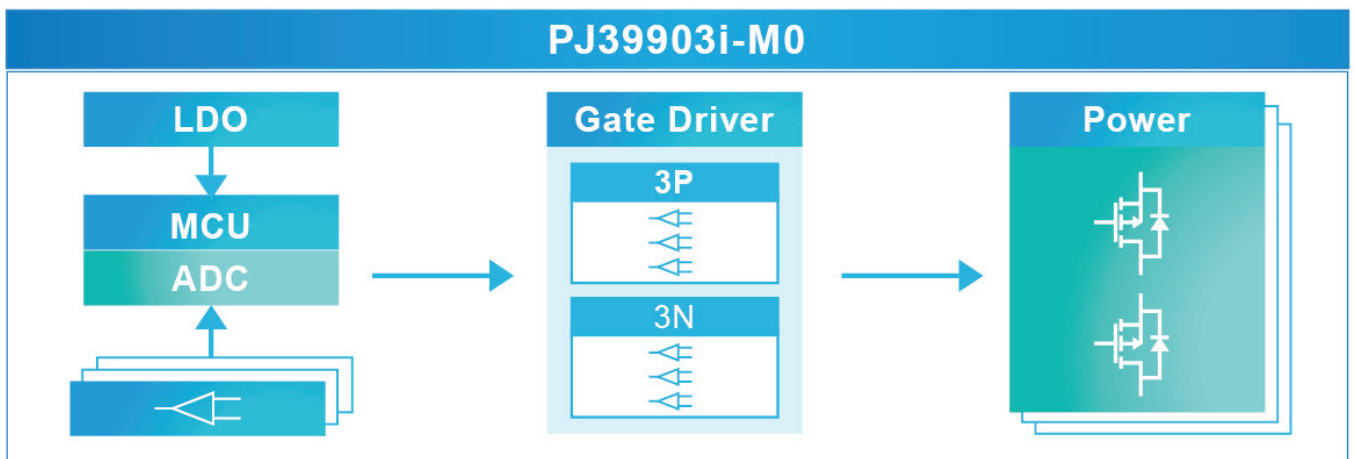


► Features

- Support three-phase brushless motor within 24V
- Support single/double-resistors FOC、square wave solution
- Maximum current of 3A, power up to 50W
- Support single-layer PCB board
- Package: TSSOP-25P



► Block Diagram



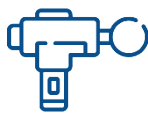
► Target Applications



Air Cleaner



Ceiling Fan



Fascia Gun



Massager



Robot Arm



Industrial Fan



Servo Fan



Key Features

- Power supply range : 7V ~ 24V
- Configure the built-in function of pass-through prevention
- Integrated PN architecture three-phase brushless gate driver and MOSFET array
- ARM® Cortex M0 48MHz
- 16K Flash, 4K SRAM
- 1 x UART, 1 x I²C, 1 x SPI
- 2 x 16-bit general timers (HTU)
- 1 x 12-bit 1 MSPS ADC, supporting differential pair inputs
- HBM7000V/CDM2000V/LU800mA
- Configure the built-in 500ns time of dead-zone
- Configure the built-in LDO with 5V/50mA and 3.3V/300mA
- P+N R_{DS(on)} < 50mΩ
- MCU : 2.4V ~ 5.5V
- 16 x GPIO, all of which can be used as the external terminal inputs
- 1 x 16-bit advanced PWM timer (ATU)
- 2 x low-offset calculated amplifiers
- -40°C ~ +105°C

Products Roadmap

