



Part Number : [1731120133](#)

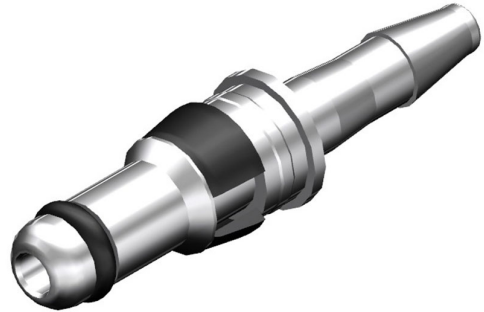
Product Description : FCT Pneumatic Contact, Male, Straight, Silver Plating, 2.60mm Tube Inner Diameter, with Plastic Retention Clip and Knurl

Series Number : 173112

Status : Active

Product Category : D-Sub Contacts

Engineering Number : FMG001P149KR




Documents & Resources

Specifications

[1731120009-PK-000.pdf](#)

Product Environment Compliance

Compliance

GADSL/IMDS	Not Relevant
China RoHS	
EU ELV	Not Relevant
Low-Halogen Status	Not Reviewed per IEC 61249-2-21
REACH SVHC	Contains Lead per D(2024)4144-DC (27 June 2024)
EU RoHS	Compliant with Exemption 6(c) per EU 2015/863

Multiple Part Product Compliance Statements

- Eu RoHS
- REACH SVHC
- Low-Halogen

Multiple Part Industry Compliance Documents

- IPC 1752A Class C
- IPC 1752A Class D
- Molex Product Compliance Declaration
- IEC-62474

Part Details

General

Status	Active
Category	D-Sub Contacts
Series	173112
Description	FCT Pneumatic Contact, Male, Straight, Silver Plating, 2.60mm Tube Inner Diameter, with Plastic Retention Clip and Knurl
Contact Type	Pneumatic
Magnetic	Yes
Product Name	FCT Products
Type	Mixed Layout
UPC	889056488884

Electrical

Current - Maximum per Contact	N/A
-------------------------------	-----

Physical

Durability (mating cycles max)	500
Gender	Male
Material - Contact	Copper Alloy
Material - Plating Mating	Silver
Material - Plating Termination	Silver
Material - Retaining Clip	PEI
Net Weight	1.300/g
Orientation	Straight
Packaging Type	Bag
Temperature Range - Operating	-10° to +60°C

Use with Part(s)

Description	Part Number
-------------	-------------

Use With	FCT Mixed Layout Connectors
----------	-----------------------------

Application Tooling

Global

Description	Part Number
FCT Removal Tool for Size 8 Contacts	<u>1731121747</u>

This document was generated on Oct 17, 2024