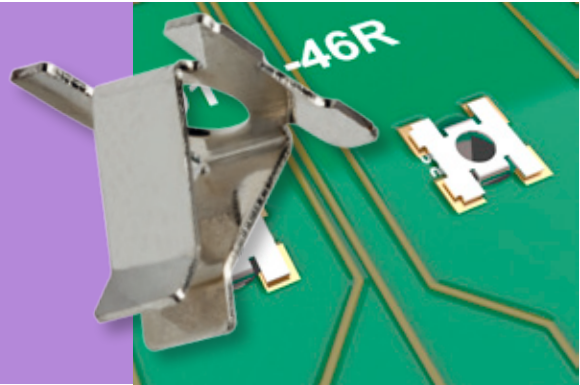


SMT PC Board Socket

- ❖ Accepts pins of between 1.10mm and 1.80mm diameter.
- ❖ SMT product is pick and place-able using standard assembly machines.
- ❖ Rated to 8 Amps electrical current.
- ❖ Greatly reduces process costs by removing the need for secondary operations.
- ❖ Reduced component costs.

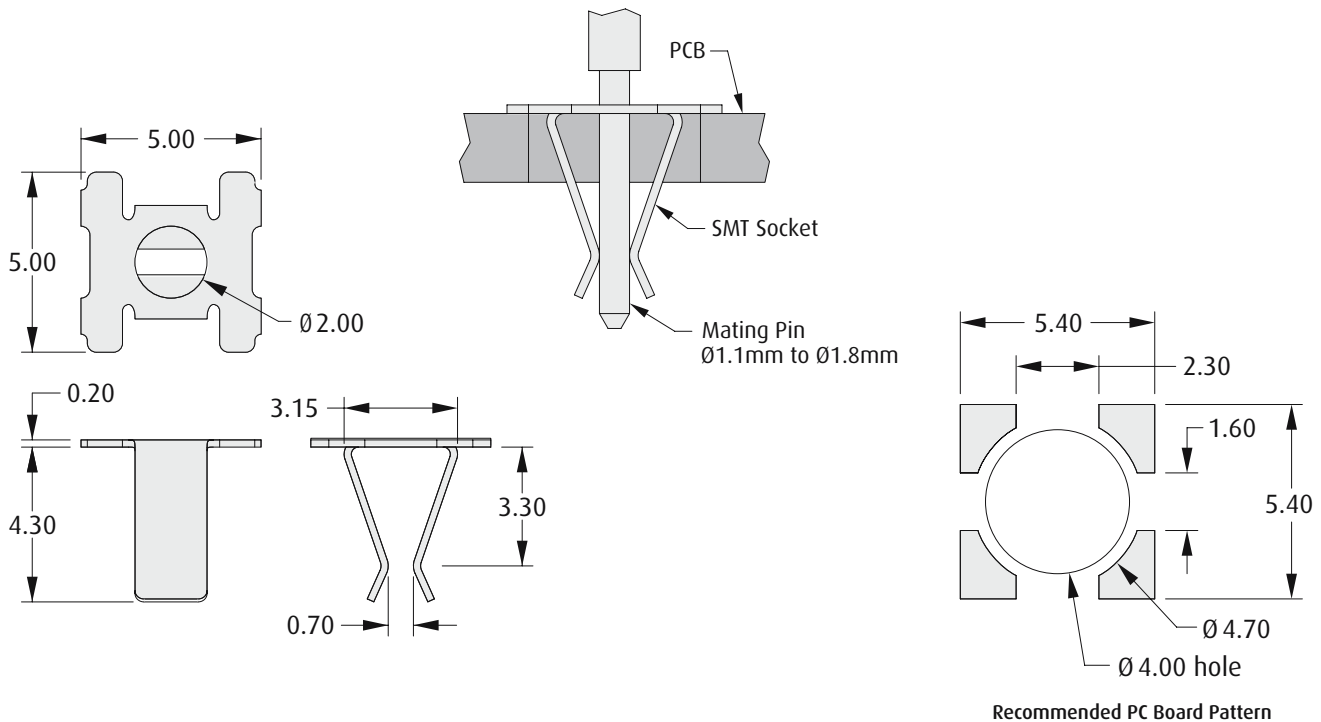


❖ Materials

Material: Phosphor Bronze
 Finish: See Order Code

❖ Packaging

Format: Tape & Reel
 Reel quantity: 800 on a Ø330mm reel



HOW TO ORDER

S9101 - 46 R

SERIES CODE

FINISH

46

Tin



PACKAGING

R

Tape & Reeled

All dimensions in mm.