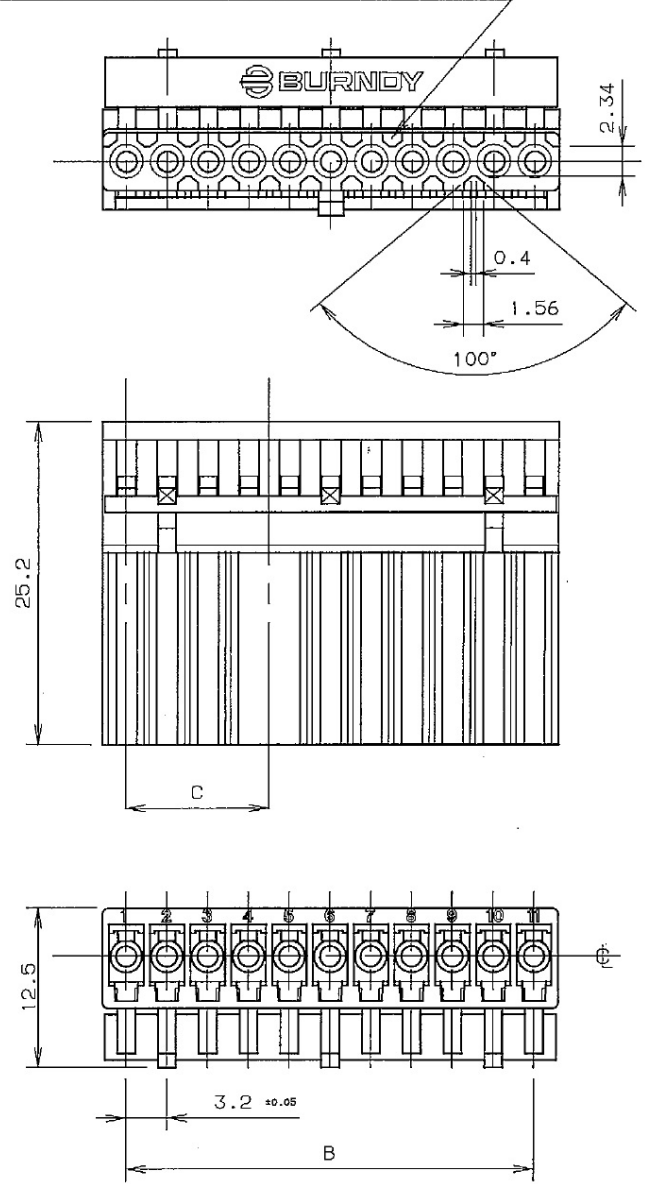
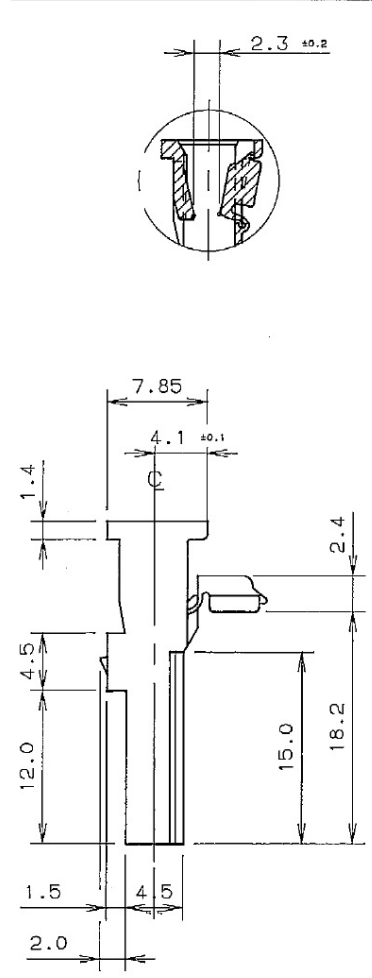


POLARIZATIONS ON VARIABLE POSITION

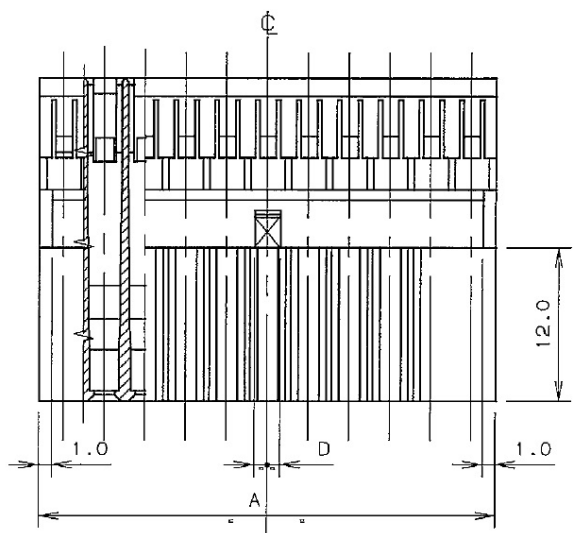


DETAIL OF SECONDARY LOCK INSERTED



NOTES

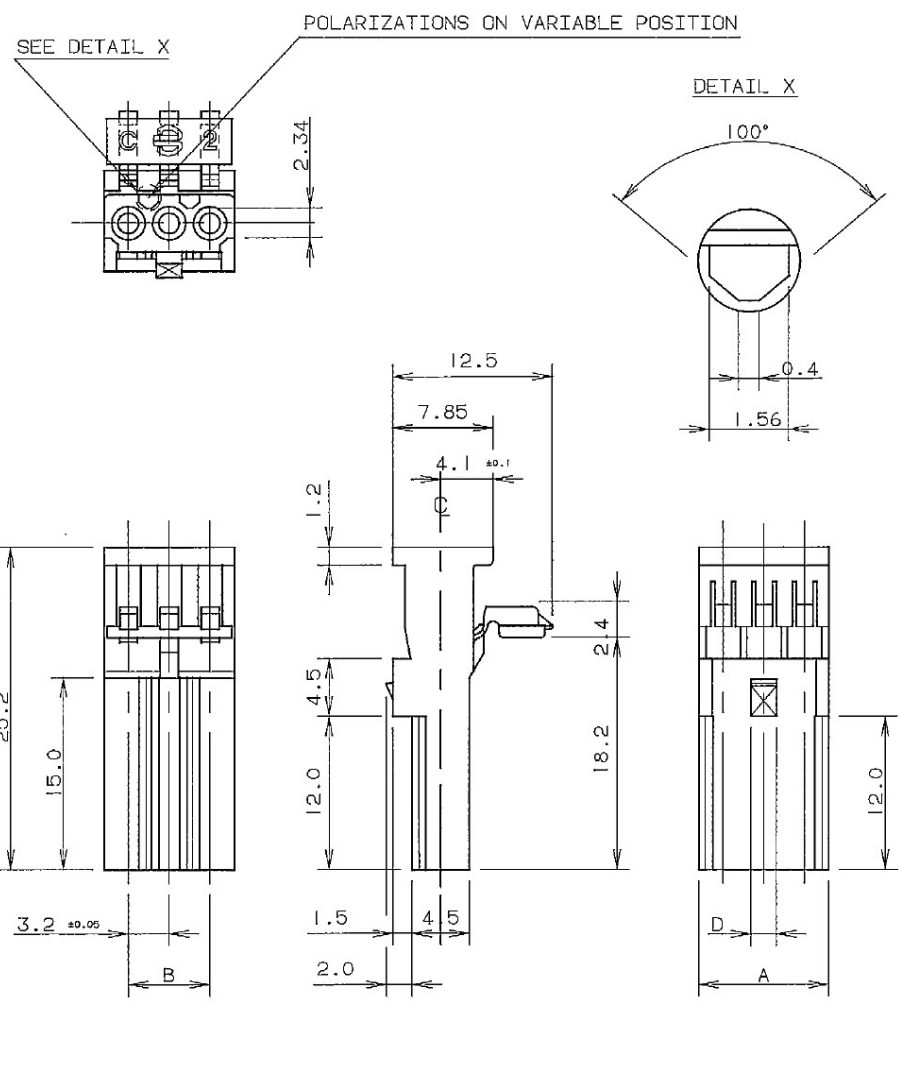
- 1) Material: NYLON 6.6 15% Glass filled
- 2) Standard colour is white, but, if required, it is possible to supply the plug housing in several colour
- 3) C dimension identifies position of variable polarization
- 4) The cavity is foreseen to accept Mint hylok socket contacts shown on drawings: BSC305942 - BSC306014



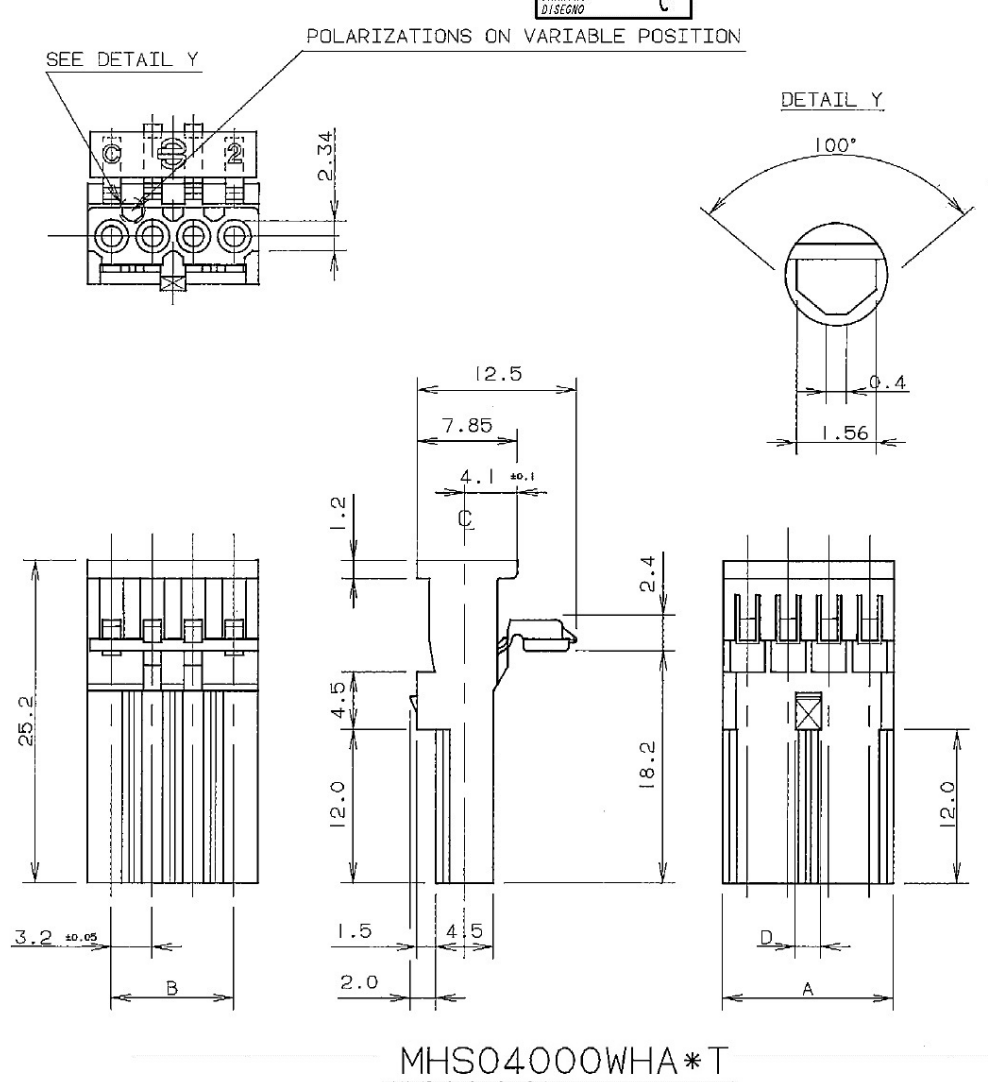
14-07742		30/10/2014		A		-		DELPHI P/N ADDED			S.M	F.G	M.C
ECN-NO. NUMERO - ECN	DATE DATA	DD / MM / YY	REVISION REVISIONE	POSITION POSIZIONE	CHANGE DESCRIPTION DESCRIZIONE MODIFICA	DRAWN BY DISEGNATORE			CHK. BY CONTROLLATO	APPR. BY APPROVATO			
PRODUCT SPEC. SPEC. DI PRODOTTO	PACKAGING SPEC. SPEC. DI IMBALLAGGIO	APPLICATION SPEC. SPEC. DI APPLICAZIONE		COPYRIGHT DELPHI CORPORATION AND/OR ITS AFFILIATES. ALL RIGHTS RESERVED. REVISED THIS DRAWING IS THE PROPERTY OF DELPHI CORPORATION. THE REPRODUCTION, DISTRIBUTION AND UTILIZATION OF THIS DOCUMENT OR ITS RELATED CAD WITH DATA, AS WELL AS COMMUNICATION OF ANY CONTENT TO OTHERS, WITHOUT EXPRESS AUTHORIZATION IS PROHIBITED.									
TOLERANCES TOLLERANZE	COUNTERPART N°. CONTROPARTE N°.	MATERIAL : MATERIALE : NYLON 6.6 15% Glass filled		SURFACE FINISH FINITURA SUPERFICIALE		DELPHI DELPHI PACKARD ELECTRICAL/ELECTRONIC ARCHITECTURE TORINO, ITALY			CAD SYSTEM pro / eng.				
DO NOT SCALE DRAWING DISEGNO FUORI SCALA		DATE DATA	NAME NOME	TITLE DESCRIZIONE	LOC. CODE NAZIONALITA'	IT		ISO PROJECTION PROIEZIONE ISO		DIMENSION IN MILLIMETERS DIMENSIONI IN MILLIMETRI	DWG SIZE FORMATO A3		
DRAWN BY DISEGNATORE		28/08/1990		M. Borgatti		MINI HYLOK PLUG WITH SEC. LOCK			DRAWING NUMBER NUMERO DI SEGNO		BSC306018		
CHECKED BY CONTROLLATO						ESR NO. NUMERO ESR			CAT. NO. NUMERO CAT.		SEE TABLE (2/3)		
APPROVED BY APPROVATO						FILE NAME NOME FILE					SCALE SCALA		
											1 of 1 3		
											1:1		

15	MHS15000WH00*T	33500453	-	48.6	44.8	-	2.0
14				45.4	41.6		
13	MHS13034WH00*T	15340956	3-4	42.2	38.4	8.0	
12	MHS12056WH00*T	33517406	5-6	39.0	35.2	14.4	
	MHS12045WH00*T	15368753	4-5			11.2	
11	MHS11045WH00*T	10776643	4-5	35.8	32.0	11.2	
10	MHS10056WH00*T	10726691	5-6	32.6	28.8	14.4	
	MHS10045WH00*T	15368752	4-5			11.2	
9	MHS09000WH00*T	15368751	-	29.4	25.6	-	
8	MHS08000WH00*T	15368750	-	26.2	22.4	-	
7	MHS07067WH00*T	15368749	6-7	23.0	19.2	17.6	
	MHS07045WH00*T	33500452	4-5			11.2	
6	MHS06045WH00*T	15368748	4-5	19.8	16.0	11.2	
	MHS06034WH00*T	10726688	3-4			8.0	
	MHS06023WH00*T	33500451	2-3			4.8	
5	MHS05034WH00*T	33500450	3-4	16.6	12.8	8.0	
	MHS05023WH00*T	15368747	2-3			4.8	
4	MHS04034WH00*T	10726687	3-4	13.4	9.6	8.0	
	MHS04023WH00*T	15363898	2-3			4.8	
	MHS04012WH00*T	33500449	1-2			1.6	
	MHS04000WHA*T	33500448	A			SEE SHEET 3 OF 3	
3	MHS03023WH00*T	33500447	2-3	10.2	6.4	4.8	
	MHS03012WH00*T	15368746	1-2			1.6	
2	MHS03000WHA*T	33500446	A	7.0	3.2	SEE SHEET 3 OF 3	
	MHS02000WH00*T	15368745	-			-	
No of ways	BURNDY Catalog number	PART NO. DELPHI	Polar	A	B	C	D
Dimensions							

14-07742	30/10/2014	A	-	DELPHI P/N ADDED			S.M	F.G	M.C
ECN-NO. / NUMERO-ECN	DATE / DATA	REVISION / REVISIONE	POSITION / POSIZIONE	CHANGE DESCRIPTION / DESCRIZIONE MODIFICA				DRAWN BY / CHK. BY / DISEGNATORE / CONTROLLATO	APPR. BY / APPROVATO
PRODUCT SPEC. / SPEC. DI PRODOTTO	PACKAGING SPEC. / SPEC. DI IMBALLAGGIO	APPLICATION SPEC. / SPEC. DI APPLICAZIONE	COPYRIGHT DELPHI CORPORATION AND/OR ITS AFFILIATES. ALL RIGHTS RESERVED. REVISED THIS DRAWING IS THE PROPERTY OF DELPHI CORPORATION. THE REPRODUCTION, DISTRIBUTION AND UTILIZATION OF THIS DOCUMENT OR ITS RELATED CAD DATA, AS WELL AS COMMUNICATION OF ANY CONTENT TO OTHERS, WITHOUT EXPRESS AUTHORIZATION IS PROHIBITED.						
TOLERANCES / TOLLERANZE	MATERIAL: / MATERIALE:	SURFACE FINISH / FINITURA SUPERFICIALE		DELPHI DELPHI PACKARD ELECTRICAL/ELECTRONIC ARCHITECTURE TORINO, ITALY				CAD SYSTEM	
COUNTERPART N° / CONTROPARTE N°	WYLOK 6.6 15X Glass filled	-						pro / eng.	
DO NOT SCALE DRAWING / DISEGNO FUORI SCALA	COLOUR: / COLORE:	TOOL NO. / NUMERO UTENSILE	LOC. CODE / NAZIONALITA'	ISO PROJECTION / PROIEZIONE ISO		DIMENSION IN MILLIMETERS / DIMENSIONI IN MILLIMETRI DIMENSION IN MILLIMETERS / DIMENSIONI IN MILLIMETRI		DWG SIZE / FORMATO	
	White		IT	DRAWING NUMBER / NUMERO DISEGNO		A3		SHEET / FOGLIO	
DRAWN BY / DISSEGNO	DATE / DATA	NAME / NOME	TITLE / DESCRIZIONE			FILE NAME / NUMERO FILE			
2670671890	N. Borgetti		MINI HYLOK PLUG WITH SEC. LOCK			BSC306018			
CHECKED BY / CONTROLLATO	APPROVED BY / APPROVATO	ESR NO. / NUMERO ESR	CAT. NO. / NUMERO CAT.	SEE TABLE (2/3)		SCALE / SCALA		1:1	



MHS03000WHA*T



MHS04000WHA*T

14-07742	30/10/2014	A	-	DELPHI P/N ADDED	S.M	F.G	M.C
ECN-NO. NUMERO ECN	DATE DD / MM / YY	REVISION REVISIONE	POSITION POSIZIONE	CHANGE DESCRIPTION DESCRIZIONE MODIFICA	DRAWN BY DISSEGNAZIONE	CHK. BY CONTROLLATO	APPR. BY APPROVATO
PRODUCT SPEC. SPEC. DI PRODOTTO	PACKAGING SPEC. SPEC. DI IMBALLAGGIO	APPLICATION SPEC. SPEC. DI APPLICAZIONE	COPYRIGHT DELPHI CORPORATION AND/OR ITS AFFILIATES. ALL RIGHTS RESERVED. REVISED THIS DRAWING IS THE PROPERTY OF DELPHI CORPORATION. THE REPRODUCTION, DISTRIBUTION AND UTILIZATION OF THIS DOCUMENT OR ITS RELATED CAD WITH DATA, AS WELL AS COMMUNICATION OF ANY CONTENT TO OTHERS, WITHOUT EXPRESS AUTHORIZATION IS PROHIBITED.				
TOLERANCES TOLLERANZE	COUNTERPART N°. CONTROPARTE N°.	MATERIAL : MATERIALE : HYLOK 6.6 158 Glass filled	SURFACE FINISH FINITURA SUPERFICIALE		DELPHI DELPHI PACKARD ELECTRICAL/ELECTRONIC ARCHITECTURE TORINO, ITALY		
DO NOT SCALE DRAWING DISEGNO FUORI SCALA	DATE DATA	NAME NOME	TITLE DESCRIZIONE	LOC. CODE NAZIONALITA'	ISO PROJECTION PROIEZIONE ISO	DIMENSION IN MILLIMETERS DIMENSIONI IN MILLIMETRI	DWG SIZE FORMATO A3
DRAWN BY DISSEGNAZIONE	28/08/1990	N. Borgatti	MINI HYLOK PLUG WITH SEC. LOCK	IT	DRAWING NUMBER NUMERO DI SEGNO		SHEET FOGLIO
CHECKED BY CONTROLLATO				FILE NAME NOME FILE	BSC306018		3 of 3
APPROVED BY APPROVATO	ESR NO. NUMERO ESR	CAT. NO. NUMERO CAT.	SEE TABLE (2/3)	SCALE SCALA		1:1	